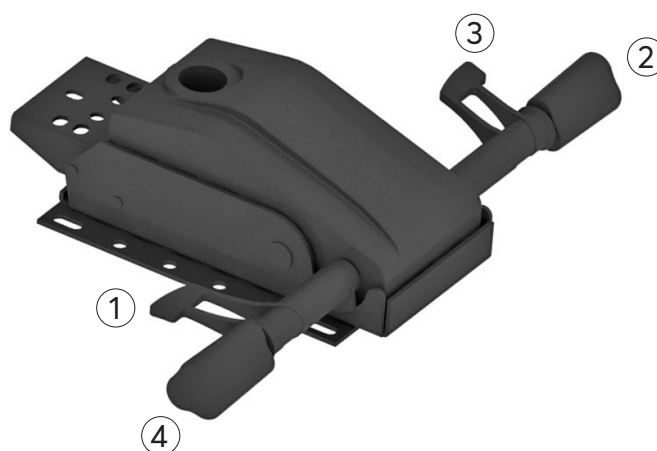


- ① Seat slider
- ② Tension adjustment
- ③ Pneumatic height (cylinder)
- ④ Infinite backrest and seat tilt-lock in 4 positions

AVAILABLE ON:

- FX
- X2
- Rivo
- Lead
- Spyder



- ① Tension adjustment
- ② Infinite backrest and seat tilt-lock in 4 positions
- ③ Pneumatic height (cylinder)

AVAILABLE ON:

- FX
- X2
- Lead
- Lead Express
- Spyder SM ST
- Rivo

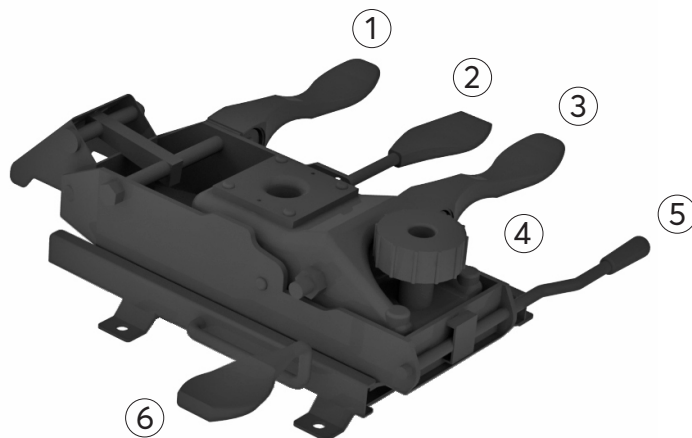


ROUILLARD

MECHANISM PGG

Multifunction (ratchet back)

- ① Backrest angle
- ② Pneumatic height (cylinder)
- ③ Infinite seat tilt lock
- ④ Tension adjustment
- ⑤ Negative forward angle
- ⑥ Seat slider



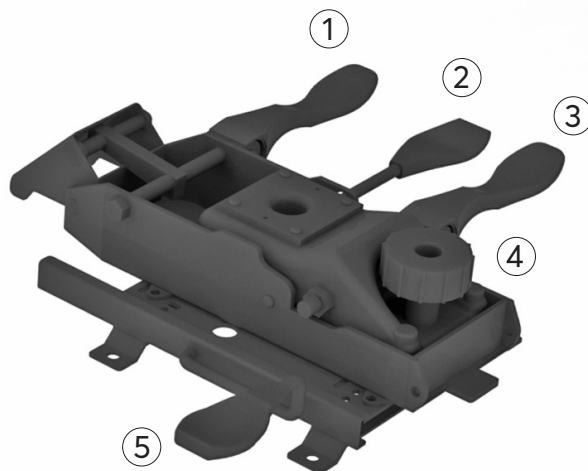
AVAILABLE ON:

- Urbex 24
- Generation 24

MECHANISM PFG

Multifunction (ratchet back)

- ① Backrest angle
- ② Pneumatic height (cylinder)
- ③ Infinite seat tilt lock
- ④ Tension adjustment
- ⑤ Seat slider



AVAILABLE ON:

- Lead
- Lead Express

ROUILLARD

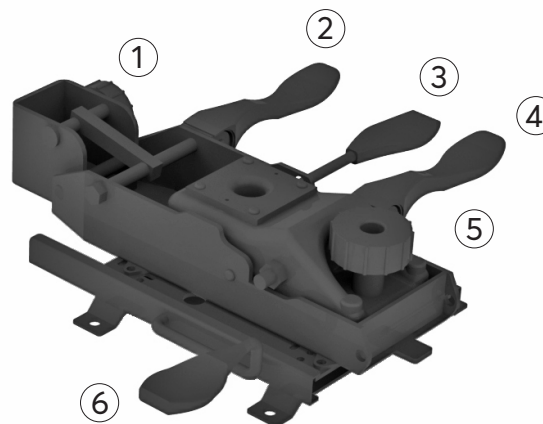
MECHANISM PRG

Multifunction

- ① Backrest height
- ② Backrest angle
- ③ Pneumatic height (cylinder)
- ④ Infinite seat tilt lock
- ⑤ Tension adjustment
- ⑥ Seat slider

AVAILABLE ON:

- Spyder
- Urbex



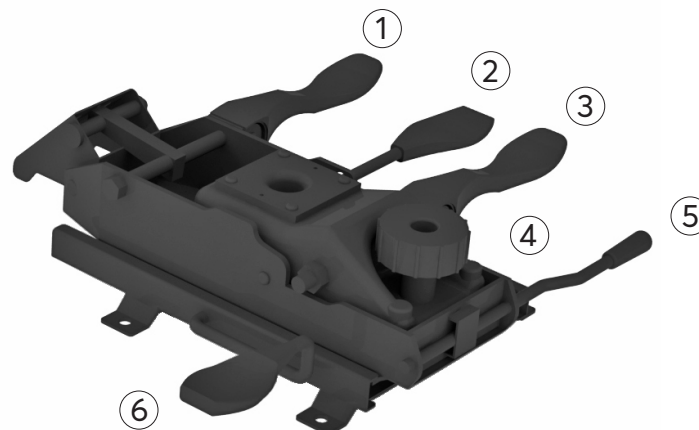
MECHANISM PE

Multifunction Intensive Use (24h et 250 lbs to 350 lbs)
Heavy duty mechanism blades

- ① Backrest angle
- ② Pneumatic height (cylinder)
- ③ Infinite seat tilt-lock
- ④ Tension adjustment
- ⑤ Negative forward angle
- ⑥ Seat slider

AVAILABLE ON:

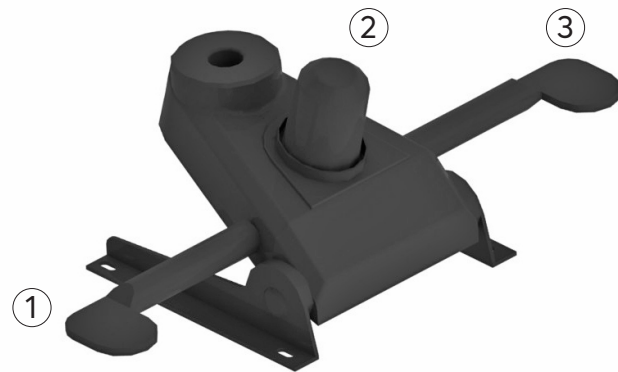
- Urbex 24
- Generation 24



- ① Infinite backrest and seat 5 positions tilt lock
- ② Tension adjustment
- ③ Pneumatic height (cylinder)

AVAILABLE ON:

- | | |
|----------------|--------|
| • Lead | • Rivo |
| • Lead Express | • FX |
| • Classic | • X2 |



- ① Pneumatic height (cylinder)
- ② Tension adjustment
- ③ Vertical seat tilt lock

AVAILABLE ON:

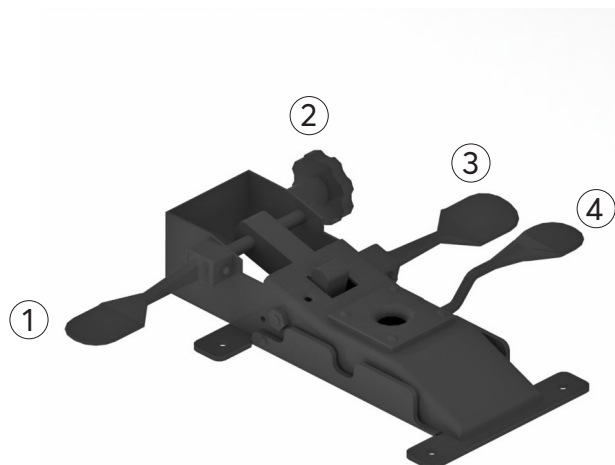
- | | |
|----------------|-----------|
| • Lead | • Trinity |
| • FX | • Ply |
| • X2 | • Zoa |
| • Spyder SM ST | • Shift |
| • Dextra | • Ely |
| • Urbex | • Tara |
| • Lead V | • Rivo |
| • Link | • Ema |
| • Mia | • Mini |



- ① Backrest angle
- ② Backrest height
- ③ Seat angle
- ④ Pneumatic height (cylinder)

AVAILABLE ON:

- Spyder SM ST
- Lead
- Urbex



- ① Pneumatic height (cylinder)

AVAILABLE ON:

- Lead
- Classic
- Spyder SM ST

