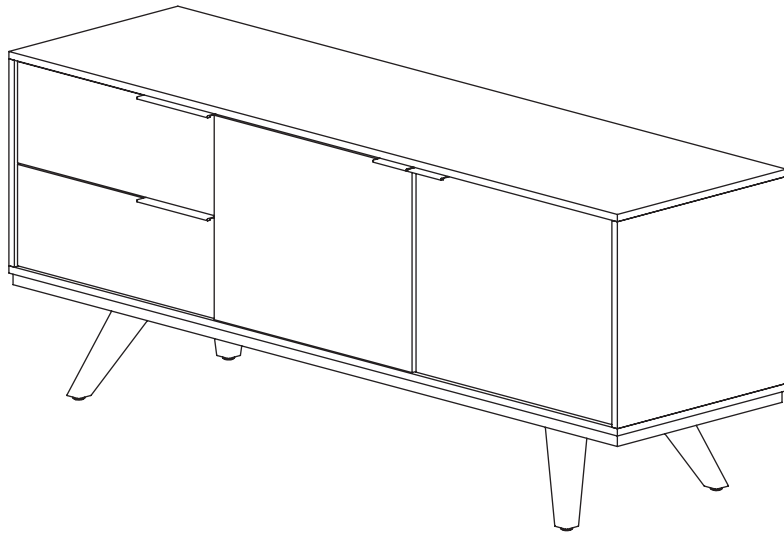


# ZETTI CREDENZA

CZ602029-2T2P

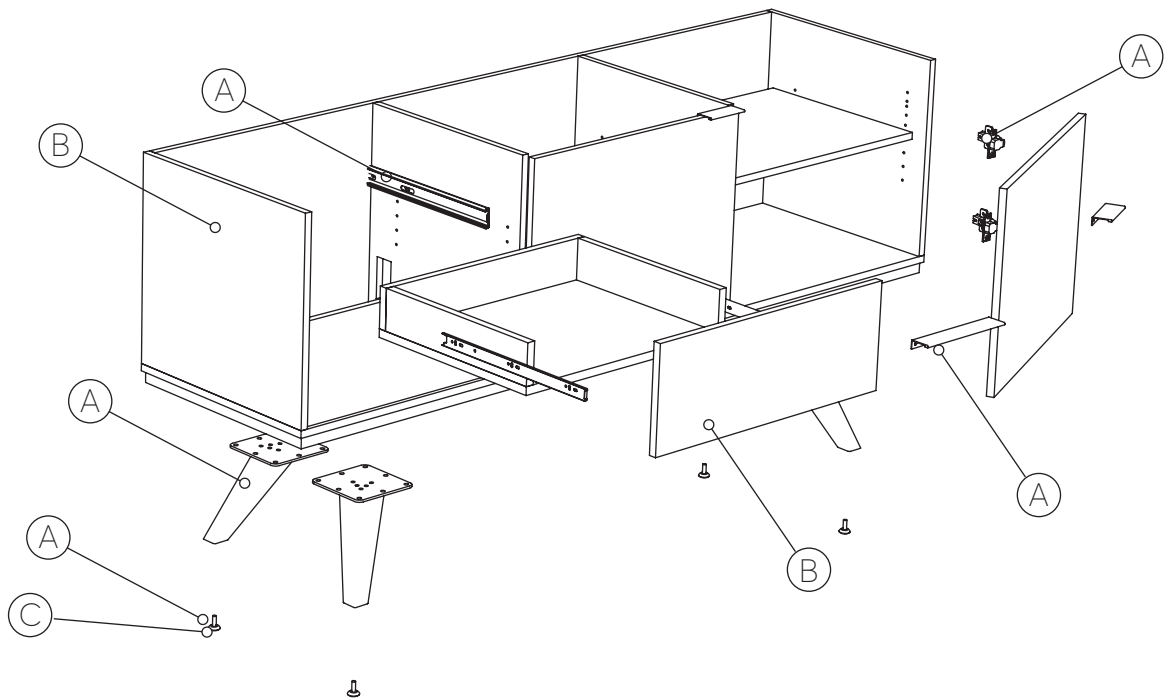
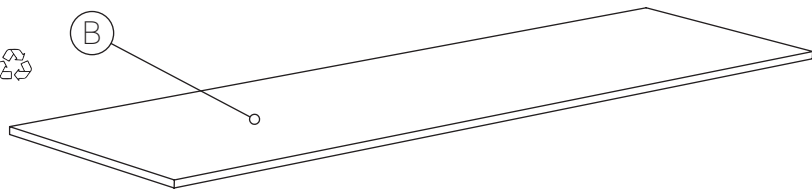
TWO DOORS AND TWO UTILITY DRAWERS STORAGE



(A) STEEL 

(B) LAMINATED PARTICULE BOARD 

(C) PLASTIC 



## ROUILLARD

363 boul. des Chutes Québec

(Québec) Canada G1E 3G1

418 663-1411 | 1 800 661-1411

[www.rouillard.ca](http://www.rouillard.ca)

# STORAGE

ZETTI CREDENZA represents this category due to the following reasons:

- Contains a majority of components, which are common to Rouillard storage products
- Has a structural body and material mix that is common among the storage series and allows flexibility and interchangeability among components
- Is one of the top storage products sellers.
- In general, our storage products share similar characteristics in terms of appearance, dimensions and material mix . They can be customized by selecting different types of laminated materials and options. Please refer to our online catalog for all options available .

PRODUCT NAME	PRIMARY CONSTRUCTION TYPE
AGORA CREDENZA	Laminated particle board, Aluminum legs
MEDIA FIT	Laminated particle board, Aluminum structure, Aluminum legs and Steel hardware
ZETTI FIT	Laminated particle board, Steel structure, Steel legs or wooden legs and Steel hardware
MEDIA COAST	Laminated particle board, Steel structure, Steel legs and Upholstered Plywood

Please note, that each product series has different product model codes due to configurability of parts and therefore the total number of products within each series can vary.

## **ROUILLARD**

363 boul. des Chutes Québec  
(Québec) Canada G1E 3G1  
418 663-1411 | 1 800 661-1411  
[www.rouillard.ca](http://www.rouillard.ca)