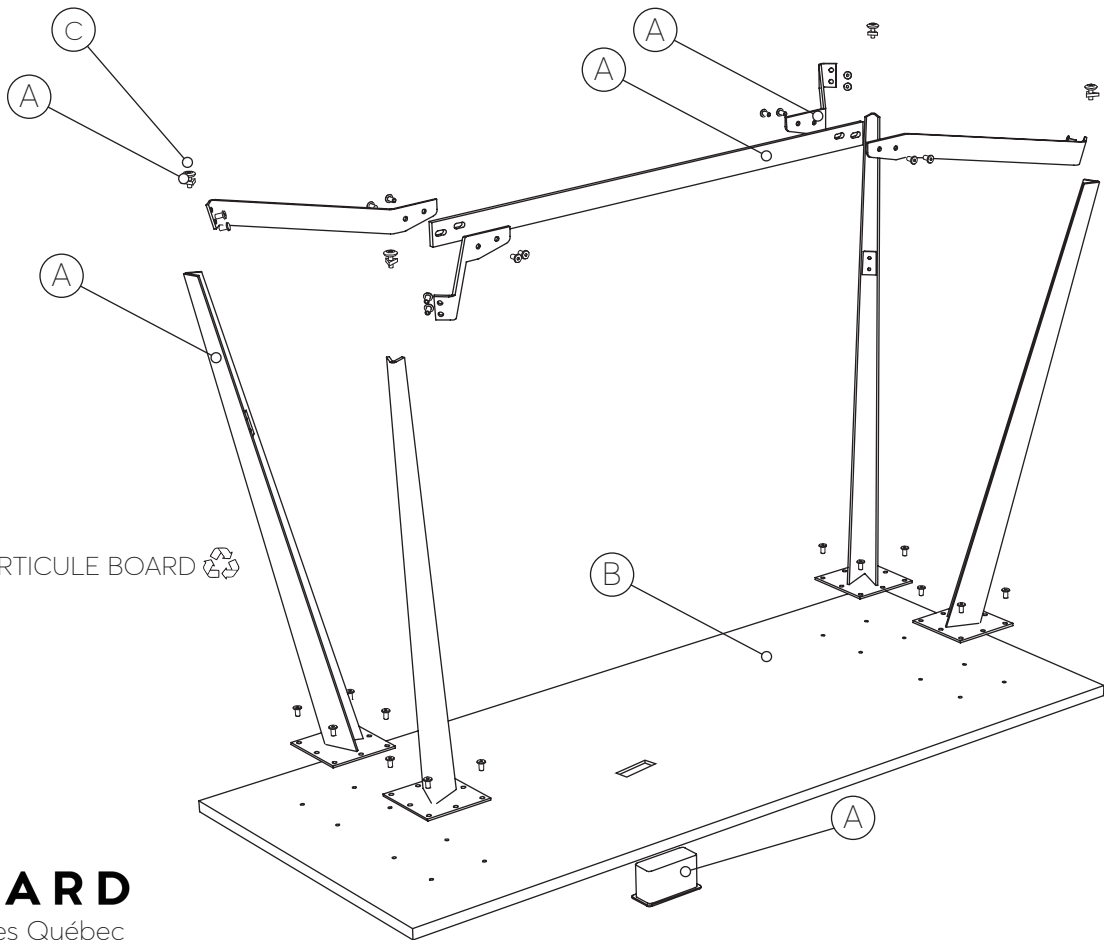


# ZETTI NALTO

TZ77230ZL42NN-CN2

COLLABORATIVE TABLE



(A) STEEL 

(B) LAMINATED PARTICULE BOARD 

(C) PLASTIC 



## ROUILLARD

363 boul. des Chutes Québec  
(Québec) Canada G1E 3G1  
418 663-1411 | 1 800 661-1411  
[www.rouillard.ca](http://www.rouillard.ca)

# TABLE

ZETTI NALTO represents this category due to the following reasons:

- Contains a majority of components, which are common to Rouillard tables
- Has a structural body and material mix that is common among the tables series and allows flexibility and interchangeability among components
- Is one of the top sellers.
- In general, our tables share similar characteristics in terms of appearance, dimensions and material mix . They can be customized by selecting different types of laminate materials and options. Please refer to our online catalog for all options available .

PRODUCT NAME	PRIMARY CONSTRUCTION TYPE
ELITE	Laminated particle board, Aluminum legs, steel part
OLEA	Laminated particle board, Aluminum legs, steel part
SQUAD	Laminated particle board, Aluminum legs, steel part
ZETTI	Laminated particle board, Steel legs
DRIFT	Laminated particle board, Steel monopod base
MONOPOD	Laminated particle board, Steel monopod base
TNX	Laminated particle board, Steel frame

Please note, that each product series has different product model codes due to configurability of parts and therefore the total number of products within each series can vary.

## **ROUILLARD**

363 boul. des Chutes Québec  
(Québec) Canada G1E 3G1  
418 663-1411 | 1 800 661-1411  
[www.rouillard.ca](http://www.rouillard.ca)