

ROUILLARD

WORKPLACE SAVOIR-FAIRE

TABLE

Price list 2019

TABLE OF CONTENTS

BY APPLICATION

OPTIONS	4
LOUNGE	
AGORA SLIM, Slim "L" legs	15
LP TABLE	43
DRIFT TC	43
MULTIPURPOSE	
AGORA SLIM, Slim "L" legs	15
MONOPOD	31
TNX, Cross base	34
TNX, T base	36
ZETTI	38
CONFERENCE	
AGORA ELITE, Large "T" Legs	18
AGORA ELITE DOUBLE, Large "T" Legs	20
AGORA OLEA, "O" Legs	24
AGORA OLEA DOUBLE, "O" Legs	25
AGORA KLAAS, Large "T" Legs	26
ZETTI KLAAS	42
COLLABORATIVE	
AGORA SQUAD 36"H	27
AGORA SQUAD DOUBLE 36"H	28
AGORA SQUAD 42"H	29
AGORA SQUAD DOUBLE 42"H	30
FRAME ONLY	
AGORA ELITE, Large "T" Legs	23
TECHNOLOGY	
MEDIA FIT	45
MEDIA CENTER	53
STORAGE	
AGORA CREDENZA	67
TERMS AND CONDITIONS	72

POWER OPTIONS

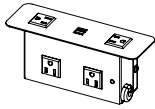
TYPE OF POWER OPTIONS



DESCRIPTION

- Steel plug in module, 1 power outlet, 2 USB port 2.1
- 108" cord
- Spill resistant receptacles
- 12" wire channel included
- Overall dimension: 2 1/4" x 3 3/4"

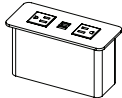
CODE	Color	Price
EP	Platinum	445
EW	White	445
EN	Black	445



DESCRIPTION

- Steel plug in module, 2 power outlets, 2 USB port 2.1
- 108" cord
- Spill resistant receptacles
- 12" wire channel included
- 2 Convenient outlets underneath
- Overall dimension: 2 1/2" x 7 3/4"

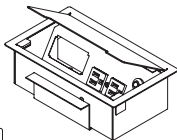
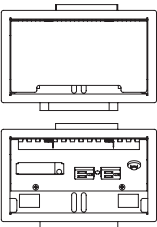
CODE	Color	Price
JP	Platinum	722
JW	White	722
JN	Black	722



DESCRIPTION

- Steel plug in module, 2 power outlets, 2 USB port 2.1
- 108" cord
- Spill resistant receptacles
- 12" wire channel included
- Overall dimension: 2 1/2" x 5 3/4"

CODE	Color	Price
CP	Platinum	528
CW	White	528
CN	Black	528



DESCRIPTION

- Steel plug in module, 2 power outlets, 1 space for telecom plate** (sold separately)
- 4 spaces for data jack (sold separately*)
- Access via a door
- Convenient outlet underneath
- 108" cord
- 12" wire channel included
- Overall dimension : 5.34" x 8.98"

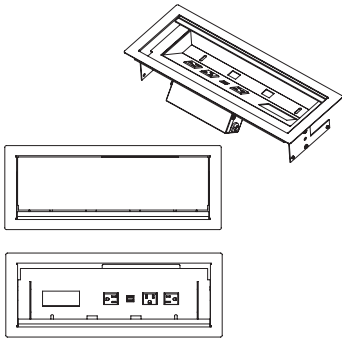
CODE	Color	Price
RP	Platinum	655

CODIFICATION

C	P	2
Model	Color	Position

POWER OPTIONS

TYPE OF POWER OPTIONS



DESCRIPTION

- Steel plug in module, 3 power outlets, 2 USB port 2.1, 1 space for telecom plate** (sold separately)
- Access via a door
- 108" cord
- Convenient outlet underneath
- 12" wire channel included
- Overall dimension : 6.25" x 16.25"

CODE	Color	Price
FP	Platinum	1328

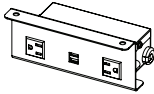
Plug supplied by the client

DESCRIPTION

- A drawing must be supplied showing the exact location of the power unit

CODE	Price
S	24

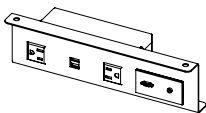
Power options for glass table



DESCRIPTION

- Steel plug in module, 2 power outlets, 2 USB port 2.1
- 108" cord
- Spill resistant receptacles
- 12" wire channel included
- Convenient outlet underneath
- Over all dimension: 3" x 7 1/4"

CODE	Color	Price
BP	Platinum	816
BW	White	816
BN	Black	816



DESCRIPTION

- Steel plug in module, 2 power outlets, 2 USB port 2.1 and 1 space for telecom plate** (sold separately)
- 108" cord
- Spill resistant receptacles
- 12" wire channel included
- Convenient outlet underneath
- Over all dimension: 3" x 7 1/4"

CODE	Color	Price
TP	Platinum	822
TW	White	822
TN	Black	822

CODIFICATION

C	P	2
Model	Color	Position

POWER OPTIONS

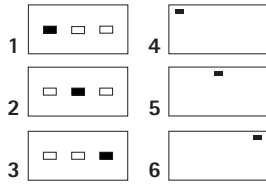
TYPE OF POWER OPTIONS

POWER UNIT OPTIONS

CODE	Description	Price
* D	Data jack RJ45	80
** TELECOM PLATE		Price on request as demand (exemple : VGA, HDMI, USB...)

POWER UNIT POSITION

One piece top table

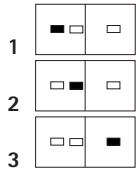


CODE	POSITION
1	Centered in the first half of the surface
2	Centered in the surface
3	Centered in the second half of the surface
4	Top corner left
5	Centered on the edge
6	Top corner right

*Put the power unit code in front of the position

**More than one position can be chosen (require to purchase several power units)

Two piece tops table

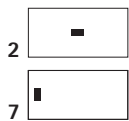


CODE	POSITION
1	Centered in the first surface
2	4" Off-centered of the joint
3	Centered in the second surface

*Put the power unit code in front of the position

**More than one position can be chosen (require to purchase several power units)

Media Fit and Media Center



CODE	POSITION
2	Centered in the surface
7	Centered near the media wall

*Put the power unit code in front of the position

Special position

CODE	POSITION
S	Desired position * Please mention the exact position on the order

*Put the power unit code in front of the position

**More than one position can be chosen (require to purchase several power units)

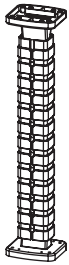
CODIFICATION



Model Color Position

WIRE MANAGEMENT

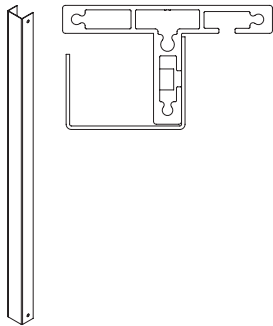
WIRE MANAGEMENT TYPE



DESCRIPTION

- Snake wire management
- Fits any table heights

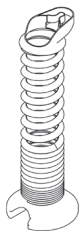
CODE	Color	Price
VP	Platinum	244
VW	White	244
VB	Black	244



DESCRIPTION

- Fits 29-36-42"H table
- Wire management attaches to any agora leg

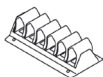
CODE	Height	Color	Price
PF29P	29"	Platinum	115
PF29G	29"	Charcoal	115
PF29W	29"	White	115
PF36P	36"	Platinum	115
PF36G	36"	Charcoal	115
PF36W	36"	White	115
PF42P	42"	Platinum	115
PF42G	42"	Charcoal	115
PF42W	42"	White	115



DESCRIPTION

- Slinky
- Fits any table heights

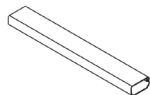
CODE	Color	Price
NP	Platinum	138
NW	White	138
NB	Black	138



DESCRIPTION

- Cable clip
- Neatly organizes cables
- Overall dimension : 5 3/8" x 1 1/2"

CODE	Price
GR	16



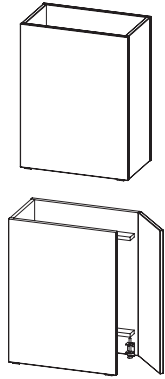
DESCRIPTION

- Wire channel included with any power unit
- 12" wire channel
- Inside dimension : 1 1/2" x 3/4"
- Attaches to the tabletop underside to manage cables

CODE	Price
CAB	11

ELECTRIFICATION BOX

Box for Agora Table

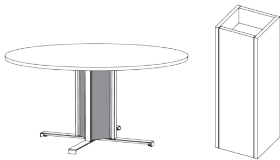


DESCRIPTION

- Wire management box
- Overall dimension : 20" x 12" x 24"H
- Please refer to the finish chart for the color selection

CODE	DIMENSION				
	Length	Depth	Height	1 LPL 5/8"	2 HPL 11/16"
B**	20	12	24	844	1028

Box for TNX table



DESCRIPTION

- Wire management box
- Please refer to the finish chart for the color selection

	CODE	DIMENSION				
		Length	Depth	Height	1 LPL 5/8"	2 HPL 11/16"
Top 48" - 60"	B**8824	8	8	24	415	519
Top 72"- 84"	B**141425	14	14	25	477	623

LOCK FOR STORAGE UNIT

Came

DESCRIPTION

- Lock for drawer or door

CODE	PRICE (unit)
SC	23

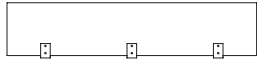
Rod

DESCRIPTION

- Lock multiple drawers at once

CODE	PRICE (unit)
ST	68

MODESTY & PRIVACY



DESCRIPTION

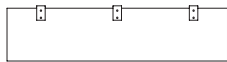
- Privacy same dimension as the table
- Steel support bracket, platinum, charcoal or white
- Please refer to the finish chart for the color selection

CODE	DIMENSIONS		FINISHES		
	Length	Height	1 LPL 5/8"	2 HPL 11/16"	6 Acrylic
T**30*	30	11	313	392	419
T**36*	36	11	342	434	453
T**42*	42	11	343	435	490
T**48*	48	11	349	441	506
T**54*	54	11	428	566	631
T**60*	60	11	430	568	651
T**66*	66	11	493	631	728
T**72*	72	11	494	633	748
T**78*	78	11	500	638	767
T**84*	84	11	501	640	778
T**96*	96	11	508	647	790

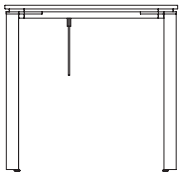
DESCRIPTION

- Modesty 7" shorter than the table dimension
- Steel support bracket, platinum, charcoal or white
- You have to order the appropriate code according to your need, please refer to the diagram 1 and 2 on the left
- Please refer to the finish chart for the color selection

CODE	DIMENSIONS		FINISHES		
	Length	Height	1 LPL 5/8"	2 HPL 11/16"	6 Acrylic
M**30*	23	11	295	369	392
M**36*	29	11	314	393	420
M**42*	35	11	343	435	453
M**48*	41	11	344	436	492
M**54*	47	11	350	442	507
M**60*	53	11	430	568	632
M**66*	59	11	488	627	710
M**72*	65	11	494	633	730
M**78*	71	11	495	634	749
M**84*	77	11	501	640	769
M**96*	89	11	508	647	790

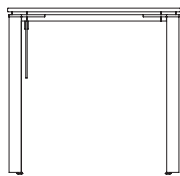


1 M**XX*



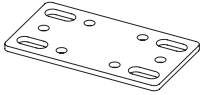
Allows the modesty to be installed at the desired position

2 MV**XX*



Allows the modesty to be flush with the table top or for a glass table

CONNECTION SYSTEM

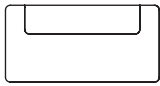


DESCRIPTION

- Connection system for table

CODE	Description	Price
PC1	For table with framing	33
PC2	For table without framing	33

GROMMET



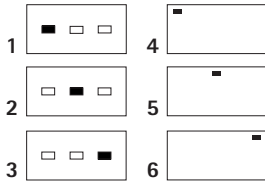
DESCRIPTION

- Plastic grommet
- Overall dimension : 3 5/8" x 15/8"

CODE	Color	Price
YP	Platinum	62
YW	White	62
YN	Black	62

GROMMET POSITION

Table

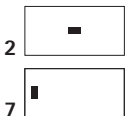


CODE	POSITION
1	Centered in the first half of the surface
2	Centered in the surface
3	Centered in the second half of the surface
4	Left top corner
5	Centered on the edge
6	Right top corner

*Put the power unit code in front of the position

**More than one position can be selected (require purchase of several grommets)

Media Fit & Media Center



CODE	POSITION
2	Centered in the first surface
7	Centered near the media wall

*Put the power unit code in front of the position

Special position

CODE	POSITION
S	Desired position * Please mention the exact position on the order

*Put the power unit code in front of the position

**More than one position can be selected (require purchase of several grommets)

LEGS & STRUCTURE

DESCRIPTION



- 4 color choices
- Please specified the color code in the table code. See codification.

CODE	Couleur
P	Platinum
G	Charcoal
W	White
N	Black

WOOD GRAIN

DESCRIPTION

- Please refer to the arrows on the table top drawing on each page of the price list to know the wood grain direction.

ICON	SENS
	Vertical
	Horizontal

FINISH CHOICES

LAMINATE OPTIONS

Please refer to the finish chart for standard laminates

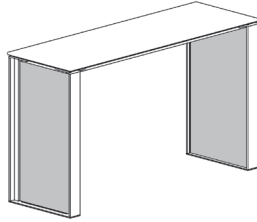
* Special finishes can be specified. Mention the code and the colour of the special finish in our order and put le the letter S in the code.

The edge band will need to be selected from our standard offering.

Any special laminate can be specified but pricing must be confirmed by the factory.

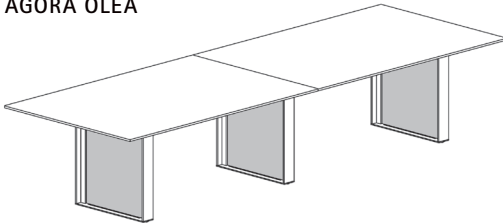
CLOSED END DECORATIVE PANEL

PANEL FOR COLLABORATIVE TABLES AGORA SQUAD



CODE	DIMENSIONS		PRICE (unit)			
	Length	Height	1 LPL 5/8"	2 HPL 11/16"	5 Brillante	6 Acrylic
PAN**2436	24	36	223	445	401	338
PAN**3036	30	36	249	512	445	512
PAN**3636	36	36	276	579	556	601
PAN**4236	42	36	303	646	646	646
PAN**4836	48	36	329	712	712	686
PAN**2442	24	42	240	490	445	441
PAN**3042	30	42	272	556	556	574
PAN**3642	36	42	303	646	646	708
PAN**4242	42	42	334	735	712	797
PAN**4842	48	42	378	801	824	824

PANEL FOR CONFERENCE TABLE AGORA OLEA



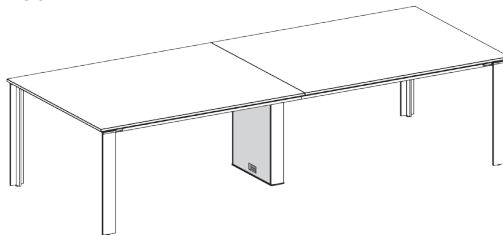
CODE	DIMENSIONS		PRICE (unit)			
	Length	Height	1 LPL 5/8"	2 HPL 11/16"	5 Brillante	6 Acrylic
For table 36"- 42" deep						
PAN**2029	20	29	182	346	303	298
For table 48" deep						
PAN**2629	26	29	207	389	367	367

DESCRIPTION

- Decorative panel
- 4 materials available
- Does not manage the wiring
- Panel are sold individually
- Please refer you to the depth of the table

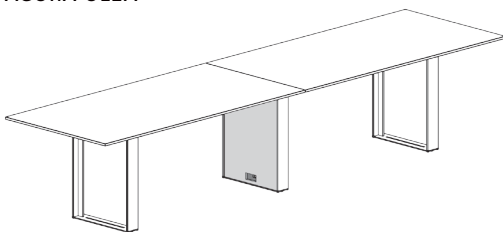
DOUBLE PANNEL FOR WIRE MANAGEMENT

PANEL FOR CONFERENCE TABLE AGORA ELITE



CODE	DIMENSIONS		PRICE	
	Length	Height	1 LPL 5/8"	2 HPL 11/16"
For table 42"- 48" deep				
PANDB**1629-**	16	29	410	649
For table 60" deep				
PANDB**1629-**	26	29	454	735
GROMMET COLOR OPTION				
PLATINUM (YP)	WHITE (YW)	BLACK (YN)		

PANEL FOR CONFERENCE TABLE AGORA OLEA



CODE	DIMENSIONS		PRICE	
	Length	Height	1 LPL 5/8"	2 HPL 11/16"
For table 36"- 42" deep				
PANDB**2029-**	20	29	432	692
For table 48" deep				
PANDB**2629-**	26	29	454	735
GROMMET COLOR OPTION				
PLATINUM (YP)	WHITE (YW)	BLACK (YN)		

TABLE

AGORA TABLE SYSTEM

Designed with the collaborative space in mind AGORA tables consist of an extruded aluminium chassis along the perimeter of the surface and several leg configurations.

Standard table heights are 29", 36" and 42"

The key to the unique framework design is to enable thin surfaces providing a slim and elegant look also reducing wood consumption by 50%.

All components are mechanically assembled as a kit of parts and can be cut to a new size in the field which offers a unique advantage for future adaptability.

AGORA provides options for multimedia and conferencing applications in many choices of leg configurations to meet various size requirements in an integrated design approach.

TOP AND LEGS

Tops

Please refer to the price list to know which type of surface are available on which tables

- LPL 5/8"
- HPL 11/16"
- HPL 13/16"
- HPL 1"

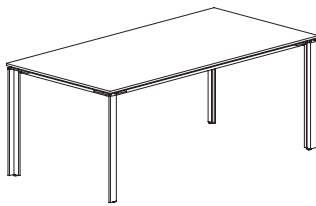
Please refer to the finishes chart for color selection.

Legs

- Large "T" Legs
- Slim "L" legs
- "O" Legs
- Collaborative "O" Legs

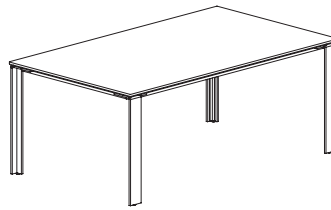
Color choices: Platinum, white or charcoal.

AGORA SLIM



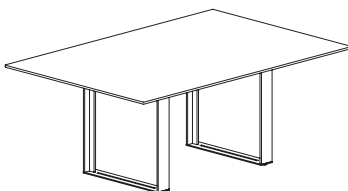
Slim "L" legs

AGORA ELITE



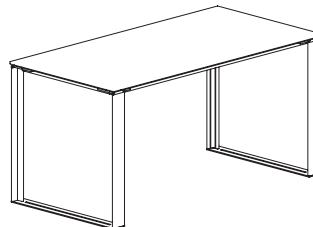
Large "T" Legs

AGORA OLEA

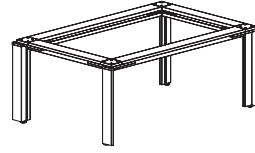
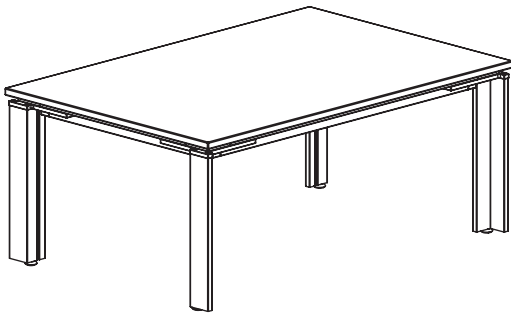


"O" Legs

AGORA SQUAD



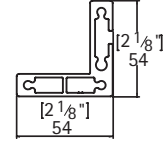
Collaborative "O" Legs



AGORA SLIM

LOUNGE Table

SLIM "L" LEGS 15"-17"-26" HIGH



MODEL	CODE	DIMENSIONS			FINISHES		
		Width	Depth	Height	1 LPL 5/8"	2 HPL 11/16"	3 HPL 1"
15" High							
24"	TA**2424L15*	24	24	15	936	1022	1044
	TA**3024L15*	30	24	15	1000	1100	1121
	TA**3624L15*	36	24	15	1043	1155	1181
	TA**4824L15*	48	24	15	1125	1259	1294
	TA**6024L15*	60	24	15	1276	1432	1475
	TA**7224L15*	72	24	15	1374	1551	1595
30"	TA**3030L15*	30	30	15	1045	1158	1188
	TA**3630L15*	36	30	15	1093	1223	1253
	TA**4830L15*	48	30	15	1184	1340	1378
36"	TA**3636L15*	36	36	15	1155	1297	1332
	TA**4836L15*	48	36	15	1244	1421	1464
	TA**6036L15*	60	36	15	1412	1624	1672
	TA**7236L15*	72	36	15	1523	1765	1821
17 1/2" High							
24"	TA**2424L17*	24	24	17 1/2	947	1033	1055
	TA**3024L17*	30	24	17 1/2	1011	1110	1132
	TA**3624L17*	36	24	17 1/2	1054	1166	1192
	TA**4824L17*	48	24	17 1/2	1136	1270	1305
	TA**6024L17*	60	24	17 1/2	1287	1443	1486
	TA**7224L17*	72	24	17 1/2	1385	1562	1605
30"	TA**3030L17*	30	30	17 1/2	1056	1169	1199
	TA**3630L17*	36	30	17 1/2	1104	1233	1264
	TA**4830L17*	48	30	17 1/2	1195	1350	1389
36"	TA**3636L17*	36	36	17 1/2	1165	1308	1343
	TA**4836L17*	48	36	17 1/2	1255	1432	1475
	TA**6036L17*	60	36	17 1/2	1423	1635	1682
	TA**7236L17*	72	36	17 1/2	1534	1776	1832
26" High							
24"	TA**2424L26*	24	24	26	1026	1113	1134
	TA**3024L26*	30	24	26	1090	1190	1211
	TA**3624L26*	36	24	26	1133	1246	1272
	TA**4824L26*	48	24	26	1216	1350	1384
	TA**6024L26*	60	24	26	1367	1522	1565
	TA**7224L26*	72	24	26	1464	1642	1685
30"	TA**3030L26*	30	30	26	1274	1430	1469
	TA**3630L26*	36	30	26	1434	1620	1663
	TA**4830L26*	48	30	26	1536	1748	1800
36"	TA**3636L26*	36	36	26	1235	1377	1412
	TA**4836L26*	48	36	26	1334	1511	1555
	TA**6036L26*	60	36	26	1503	1714	1762
	TA**7236L26*	72	36	26	1613	1856	1912

CODIFICATION

TA	1	E	24	24	L15	P	-	CP2
Model	Finishes	Color	Width	Depth	Legs	Legs color		Options

OPTIONS (see details p. 9-12)



Power

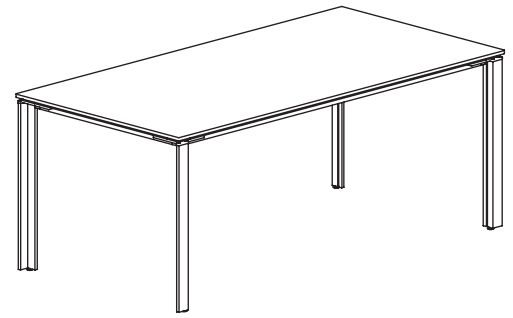
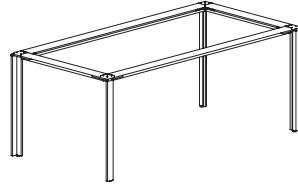
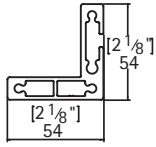
FRAMING AND LEGS COLOR OPTIONS

PLATINUM (P) CHARCOAL (G) WHITE (W) BLACK (N)

AGORA SLIM

MULTIPURPOSE Table

SLIM "L" LEGS 29" HIGH

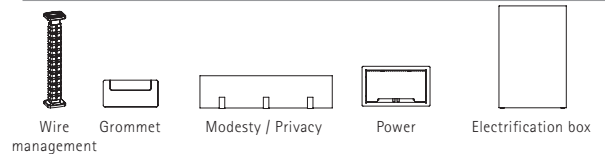


MODEL	CODE	DIMENSIONS			FINISHES		
		Width	Depth	Height	1 LPL 5/8"	2 HPL 11/16"	3 HPL 1"
24"							
	TA**3624L29*	36	24	29	1120	1233	1258
	TA**4224L29*	42	24	29	1158	1279	1310
	TA**4824L29*	48	24	29	1202	1337	1371
	TA**5424L29*	54	24	29	1239	1387	1422
	TA**6024L29*	60	24	29	1354	1509	1552
	TA**6624L29*	66	24	29	1411	1576	1619
	TA**7224L29*	72	24	29	1451	1628	1672
	TA**7824L29*	78	24	29	1492	1679	1730
	TA**8424L29*	84	24	29	1554	1753	1804
	TA**9624L29*	96	24	29	1739	1959	2020
30"							
	TA**3030L29*	30	30	29	1122	1235	1266
	TA**3630L29*	36	30	29	1170	1300	1330
	TA**4230L29*	42	30	29	1211	1354	1389
	TA**4830L29*	48	30	29	1261	1416	1455
	TA**5430L29*	54	30	29	1302	1470	1514
	TA**6030L29*	60	30	29	1421	1606	1650
	TA**6630L29*	66	30	29	1482	1677	1724
	TA**7230L29*	72	30	29	1523	1735	1787
	TA**7830L29*	78	30	29	1573	1794	1850
	TA**8430L29*	84	30	29	1639	1877	1933
TA**9630L29*	96	30	29	1832	2096	2162	
36"							
	TA**3636L29*	36	36	29	1221	1364	1399
	TA**4236L29*	42	36	29	1268	1428	1467
	TA**4836L29*	48	36	29	1321	1498	1542
	TA**5436L29*	54	36	29	1366	1562	1609
	TA**6036L29*	60	36	29	1490	1701	1748
	TA**6636L29*	66	36	29	1551	1781	1832
	TA**7236L29*	72	36	29	1600	1843	1899
	TA**7836L29*	78	36	29	1651	1910	1971
	TA**8436L29*	84	36	29	1723	2000	2064
	TA**9636L29*	96	36	29	1922	2234	2302
SQUARE 42"- 46" and 48"							
	TA**4242L29*	42	42	29	1334	1515	1554
	TA**4646L29*	46	46	29	1407	1615	1662
	TA**4848L29*	48	48	29	1453	1674	1726

CODIFICATION

TA	1	E	36	24	L29	P	-	RP2
Model	Finishes	Color	Width	Depth	Legs	Legs color		Options

OPTIONS (see details p. 9-12)



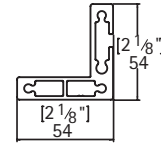
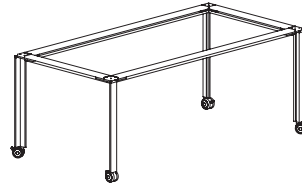
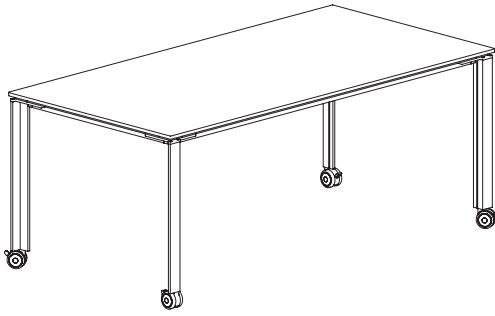
FRAMING AND LEGS COLOR OPTIONS

PLATINUM (P) CHARCOAL (G) WHITE (W) BLACK (N)

AGORA SLIM

MULTIPURPOSE Table

SLIM "L" LEGS 29" HIGH, ON CASTERS

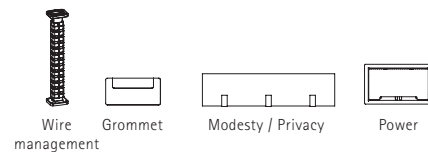


MODEL	CODE	DIMENSIONS			FINISHES		
		Width	Depth	Height	1 LPL 5/8"	2 HPL 11/16"	3 HPL 1"
24"							
	TA**3624LR29*	36	24	29	1145	1257	1283
	TA**4224LR29*	42	24	29	1182	1303	1334
	TA**4824LR29*	48	24	29	1227	1361	1396
	TA**5424LR29*	54	24	29	1264	1411	1445
	TA**6024LR29*	60	24	29	1378	1534	1577
	TA**6624LR29*	66	24	29	1436	1600	1643
	TA**7224LR29*	72	24	29	1476	1653	1696
	TA**7824LR29*	78	24	29	1518	1704	1755
	TA**8424LR29*	84	24	29	1579	1777	1830
	TA**9624LR29*	96	24	29	1764	1984	2045
30"							
	TA**3030LR29*	30	30	29	1147	1259	1290
	TA**3630LR29*	36	30	29	1195	1324	1355
	TA**4230LR29*	42	30	29	1236	1379	1413
	TA**4830LR29*	48	30	29	1286	1441	1480
	TA**5430LR29*	54	30	29	1326	1495	1538
	TA**6030LR29*	60	30	29	1445	1631	1674
	TA**6630LR29*	66	30	29	1507	1701	1749
	TA**7230LR29*	72	30	29	1548	1759	1811
	TA**7830LR29*	78	30	29	1598	1818	1874
	TA**8430LR29*	84	30	29	1663	1901	1957
TA**9630LR29*	96	30	29	1857	2121	2185	
36"							
	TA**3636LR29*	36	36	29	1246	1389	1423
	TA**4236LR29*	42	36	29	1292	1452	1491
	TA**4836LR29*	48	36	29	1346	1523	1566
	TA**5436LR29*	54	36	29	1391	1586	1633
	TA**6036LR29*	60	36	29	1514	1726	1773
	TA**6636LR29*	66	36	29	1576	1805	1857
	TA**7236LR29*	72	36	29	1625	1867	1923
	TA**7836LR29*	78	36	29	1675	1935	1995
	TA**8436LR29*	84	36	29	1748	2025	2089
	TA**9636LR29*	96	36	29	1947	2258	2328
SQUARE 42"- 46" and 48"							
	TA**4242LR29*	42	42	29	1358	1540	1579
	TA**4646LR29*	46	46	29	1431	1639	1686
	TA**4848LR29*	48	48	29	1483	1704	1756

CODIFICATION

TA	1	E	36	24	LR29	P	-	RP2
Model	Finishes	Color	Width	Depth	Legs	Legs color		Options

OPTIONS (see details p. 9-12)



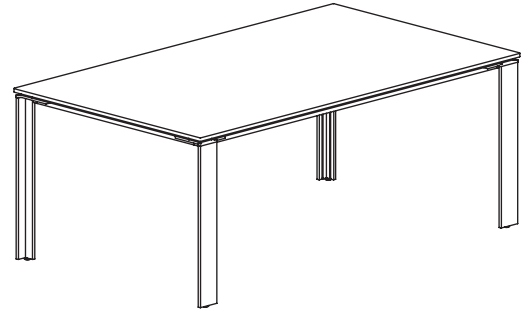
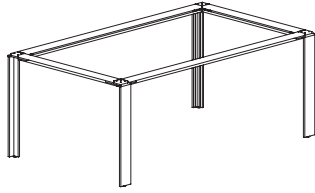
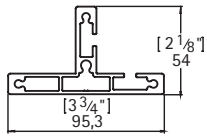
FRAMING AND LEGS COLOR OPTIONS

PLATINUM (P) CHARCOAL (G) WHITE (W) BLACK (N)

AGORA ELITE

CONFERENCE Table

LARGE "T" LEGS 29" HIGH

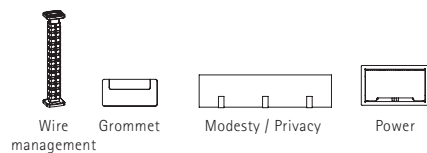


MODEL	CODE	DIMENSIONS			FINISHES		
		Width	Depth	Height	1 LPL 5/8"	2 HPL 11/16"	3 HPL 1"
42"							
	TA**6042T29*	60	42	29	1597	1834	1890
	TA**7242T29*	72	42	29	1716	1993	2053
	TA**8442T29*	84	42	29	1845	2160	2229
	TA**9642T29*	96	42	29	2055	2410	2487
48"							
	TA**6048T29*	60	48	29	1667	1931	1991
	TA**7248T29*	72	48	29	1791	2102	2171
	TA**8448T29*	84	48	29	1928	2283	2356
	TA**9648T29*	96	48	29	2148	2546	2628
SQUARE 42"- 48" and 60"							
	TA**4242T29*	42	42	29	1377	1559	1598
	TA**4848T29*	48	48	29	1497	1718	1769
	TA**6060T29*	60	60	29	N/A	2427	2496

CODIFICATION

TA	1	E	60	42	T29	P	-	RP2
Model	Finishes	Color	Width	Depth	Legs	Legs color		Options

OPTIONS (see details p. 9-12)



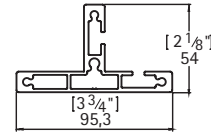
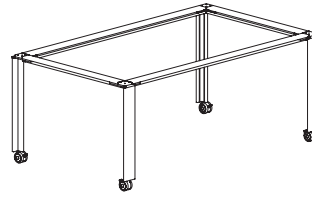
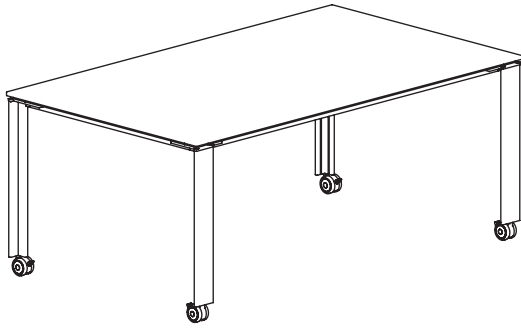
FRAMING AND LEGS COLOR OPTIONS

PLATINUM (P) CHARCOAL (G) WHITE (W) BLACK (N)

AGORA ELITE

CONFERENCE Table

LARGE "T" LEGS 29" HIGH, ON CASTERS



MODEL	CODE	DIMENSIONS			FINISHES		
		Width	Depth	Height	1 LPL 5/8"	2 HPL 11/16"	3 HPL 1"
42"							
	TA**6042TR29*	60	42	29	1593	1830	1887
	TA**7242TR29*	72	42	29	1712	1989	2049
	TA**8442TR29*	84	42	29	1841	2156	2226
	TA**9642TR29*	96	42	29	2051	2406	2484
48"							
	TA**6048TR29*	60	48	29	1622	1859	1915
	TA**7248TR29*	72	48	29	1741	2018	2078
	TA**8448TR29*	84	48	29	1870	2185	2254
	TA**9648TR29*	96	48	29	2076	2431	2509
SQUARE 42"- 48" and 60"							
	TA**4242TR29*	42	42	29	1372	1554	1593
	TA**4848TR29*	48	48	29	1492	1713	1764
	TA**6060TR29*	60	60	29	N/A	2427	2497

OPTIONS (see details p. 9-12)



CODIFICATION

TA	1	E	60	42	TR29	P	-	RP2
Model	Finishes	Color	Width	Depth	Legs	Legs color		Options

FRAMING AND LEGS COLOR OPTIONS

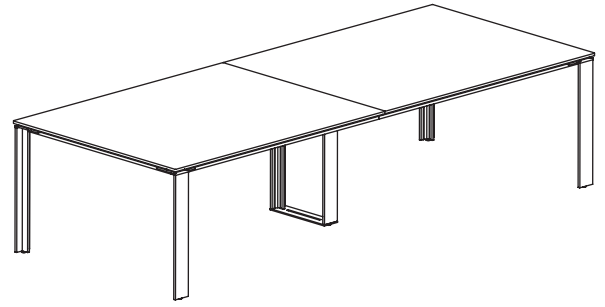
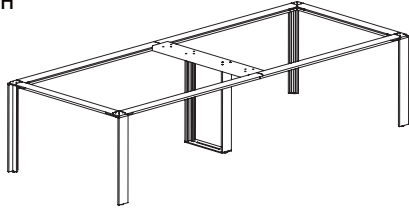
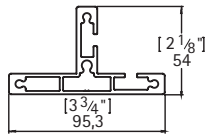
PLATINUM (P) CHARCOAL (G) WHITE (W) BLACK (N)

AGORA ELITE

DOUBLE CONFERENCE Table

LARGE "T" MONOLEG 29" HIGH

("O" SHARED LEG)



MODEL	CODE	DIMENSIONS			FINISHES		
		Width	Depth	Height	1 LPL 5/8"	2 HPL 11/16"	3 HPL 1"

2 pieces top

42"



TA**10842U29*	108	42	29	2797	3238	3341
TA**12042U29*	120	42	29	2939	3414	3527
TA**14442U29*	144	42	29	3170	3723	3844
TA**16842U29*	168	42	29	3414	4045	4183
TA**19242U29*	192	42	29	3976	4685	4841

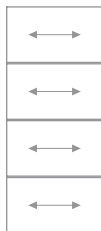
48"



TA**10848J29*	108	48	29	2922	3406	3519
TA**12048J29*	120	48	29	3064	3592	3713
TA**14448J29*	144	48	29	3304	3927	4065
TA**16848J29*	168	48	29	3566	4274	4421
TA**19248J29*	192	48	29	4154	4949	5113

4 pieces top

60"

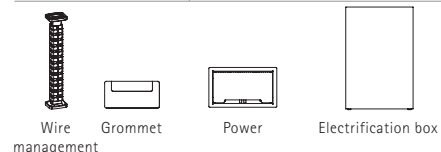


TA**10860UL29*	108	60	29	4049	4793	4966
TA**12060UL29*	120	60	29	4204	4948	5120
TA**14460UL29*	144	60	29	4549	5396	5587
TA**16860UL29*	168	60	29	4916	5867	6091
TA**19260UL29*	192	60	29	5691	6746	6988

CODIFICATION

TA	1	E	108	42	U29	P	-	RP2
Model	Finishes	Color	Width	Depth	Legs	Legs color	Options	

OPTIONS (see details p. 9-12)



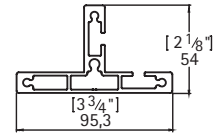
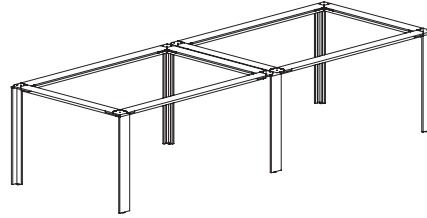
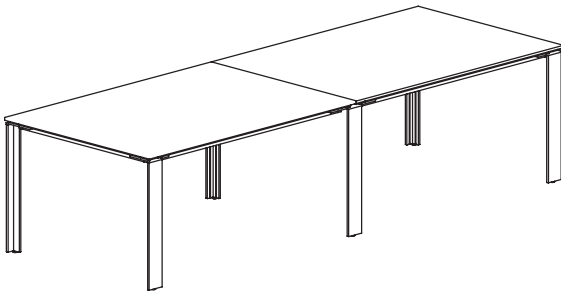
FRAMING AND LEGS COLOR OPTIONS

PLATINUM (P) CHARCOAL (G) WHITE (W) BLACK (N)

AGORA ELITE

DOUBLE CONFERENCE Table

LARGE "T" MONOLEG 29" HIGH
(SHARED MONOLEG)



MODEL	CODE	DIMENSIONS			FINISHES		
		Width	Depth	Height	1 LPL 5/8"	2 HPL 11/16"	3 HPL 1"

2 pieces top

42"



TA**10842029*	108	42	29	2809	3250	3354
TA**12042029*	120	42	29	2993	3468	3581
TA**14442029*	144	42	29	3225	3778	3899
TA**16842029*	168	42	29	3468	4099	4238
TA**19242029*	192	42	29	3982	4691	4846

48"



TA**10848029*	108	48	29	2948	3432	3544
TA**12048029*	120	48	29	3132	3659	3780
TA**14448029*	144	48	29	3373	3995	4134
TA**16848029*	168	48	29	3633	4342	4489
TA**19248029*	192	48	29	4173	4968	5132

4 pieces top

54"



TA**10854029*	108	54	29	4100	4774	4947
TA**12054029*	120	54	29	4270	4945	5118
TA**14454029*	144	54	29	4592	5370	5560
TA**16854029*	168	54	29	4821	5703	5910
TA**19254029*	192	54	29	5100	6069	6293

60"

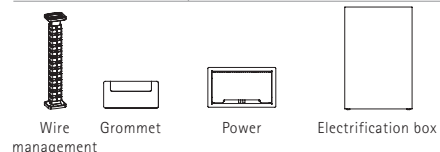


TA**10860029*	108	60	29	4251	4994	5167
TA**12060029*	120	60	29	4421	5165	5338
TA**14460029*	144	60	29	4872	5719	5910
TA**16860029*	168	60	29	5164	6115	6340
TA**19260029*	192	60	29	5896	6951	7193

CODIFICATION

TA	1	E	108	42	O29	P	-	RP2
Model	Finishes	Color	Width	Depth	Legs	Legs color	Options	

OPTIONS (see details p. 9-12)



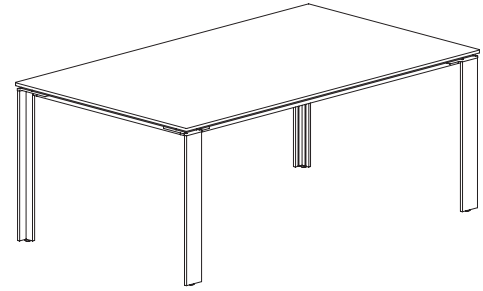
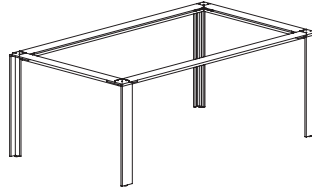
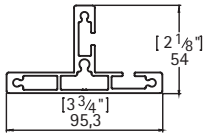
FRAMING AND LEGS COLOR OPTIONS

PLATINUM (P) CHARCOAL (G) WHITE (W) BLACK (N)

AGORA ELITE

CONFERENCE Table

LARGE "T" MONOLEG 36" HIGH



MODEL	CODE	DIMENSIONS			FINISHES		
		Width	Depth	Height	1 LPL 5/8"	2 HPL 11/16"	3 HPL 1"

42"



TA**6042T36*	60	42	36	1660	1897	1953
TA**7242T36*	72	42	36	1779	2056	2116
TA**8442T36*	84	42	36	1908	2223	2292
TA**9642T36*	96	42	36	2118	2473	2550

48"



TA**6048T36*	60	48	36	1730	1994	2054
TA**7248T36*	72	48	36	1854	2165	2234
TA**8448T36*	84	48	36	1991	2346	2419
TA**9648T36*	96	48	36	2211	2609	2691

CARRÉ 42"- 48" and 60"

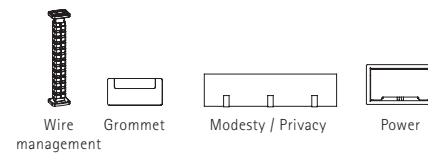


TA**4242T36*	42	42	36	1440	1622	1661
TA**4848T36*	48	48	36	1560	1781	1832
TA**6060T36*	60	60	36	N/A	2490	2559

CODIFICATION

TA	1	E	60	42	T36	P	-	RP2
Model	Finishes	Color	Width	Depth	Legs	Legs color		Options

OPTIONS (see details p. 9-12)



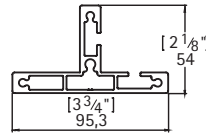
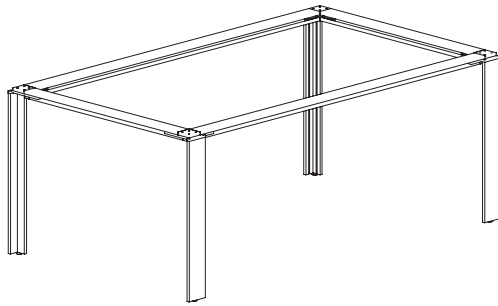
FRAMING AND LEGS COLOR OPTIONS

PLATINUM (P) CHARCOAL (G) WHITE (W) BLACK (N)

AGORA ÉLITE

FRAME ONLY

LARGE "T" LEGS 29" HIGH

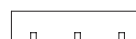


MODEL	CODE	DIMENSIONS			
		Width	Depth	Height	
36"					
	TAF6036T29*	60	36	29	1577
	TAF7236T29*	72	36	29	1654
	TAF8436T29*	84	36	29	1745
	TAF9636T29*	96	36	29	1959
42"					
	TAF6042T29*	60	42	29	1577
	TAF7242T29*	72	42	29	1654
	TAF8442T29*	84	42	29	1745
	TAF9642T29*	96	42	29	1959
48"					
	TAF6048T29*	60	48	29	1622
	TAF7248T29*	72	48	29	1699
	TAF8448T29*	84	48	29	1790
	TAF9648T29*	96	48	29	2004

CODIFICATION

TAF	60	42	T29	P	-	M1E
Model	Width	Depth	Legs	Legs color		Options

OPTIONS (see details p. 9-12)



Modesty / Privacy

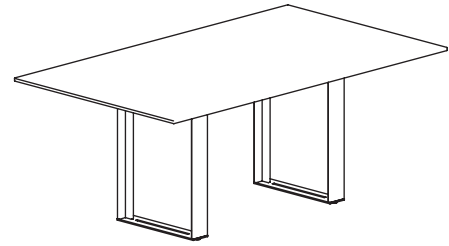
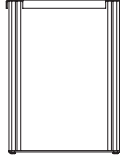
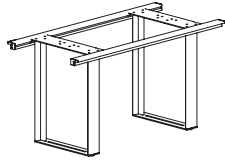
FRAMING AND LEGS COLOR OPTIONS

PLATINUM (P) CHARCOAL (G) WHITE (W) BLACK (N)

AGORA OLEA

CONFERENCE Table

"0" LEGS 29" HIGH

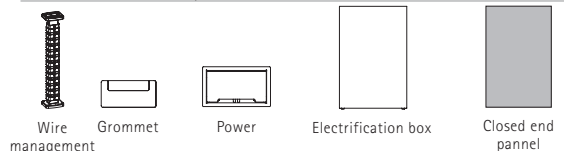


MODEL	CODE	DIMENSIONS			FINISHES		
		Width	Depth	Height	1 LPL 5/8"	8 HPL 13/16"	3 HPL 1"
36"							
	TA**6036G29*	60	36	29	1655	1892	1914
	TA**7236G29*	72	36	29	1807	2080	2106
	TA**8436G29*	84	36	29	1918	2230	2260
	TA**9636G29*	96	36	29	2038	2384	2419
42"							
	TA**6042G29*	60	42	29	1699	1967	1993
	TA**7242G29*	72	42	29	1861	2168	2198
	TA**8442G29*	84	42	29	1980	2330	2365
	TA**9642G29*	96	42	29	2105	2498	2537
48"							
	TA**6048H29*	60	48	29	1786	2080	2110
	TA**7248H29*	72	48	29	1952	2297	2332
	TA**8448H29*	84	48	29	2080	2473	2508
	TA**9648H29*	96	48	29	2217	2658	2697

CODIFICATION

TA	1	E	60	42	G29	P	-	RP2
Model	Finishes	Color	Width	Depth	Legs	Legs color		Options

OPTIONS (see details p. 9-12)



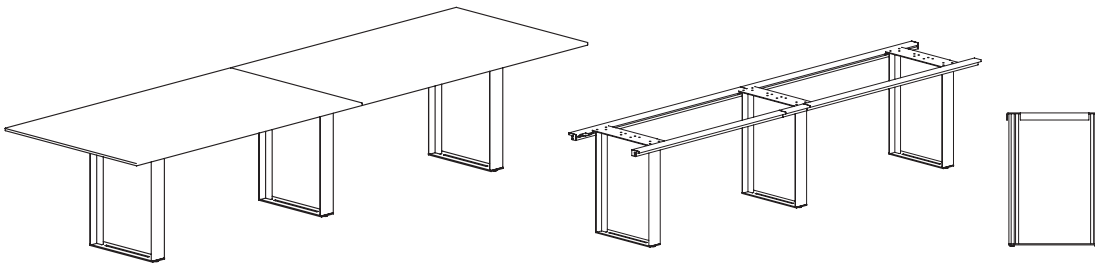
FRAMING AND LEGS COLOR OPTIONS

PLATINUM (P) CHARCOAL (G) WHITE (W) BLACK (N)

AGORA OLEA

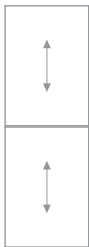
DOUBLE CONFERENCE Table

"0" LEGS 29" HIGH
DOUBLE TABLE



MODEL	CODE	DIMENSIONS			FINISHES		
		Width	Depth	Height	1 LPL 5/8"	8 HPL 13/16"	3 HPL 1"

42"



TA**12042A29*	60	42	29	2919	3455	3507
TA**14442A29*	72	42	29	3147	3761	3821
TA**16842A29*	84	42	29	3393	4093	4163
TA**19242A29*	96	42	29	3910	4697	4775

48"

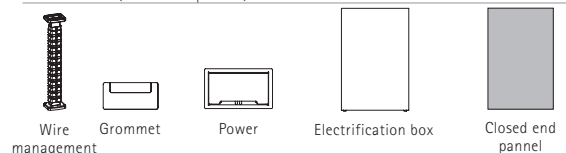


TA**12048B29*	60	48	29	3071	3659	3719
TA**14448B29*	72	48	29	3308	3999	4069
TA**16848B29*	84	48	29	3571	4358	4427
TA**19248B29*	96	48	29	4114	4996	5074

CODIFICATION

TA	1	E	120	42	A29	P	-	RP2
Model	Finishes	Color	Width	Depth	Legs	Legs color		Options

OPTIONS (see details p. 9-12)



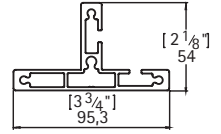
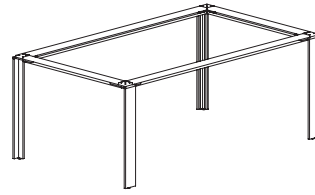
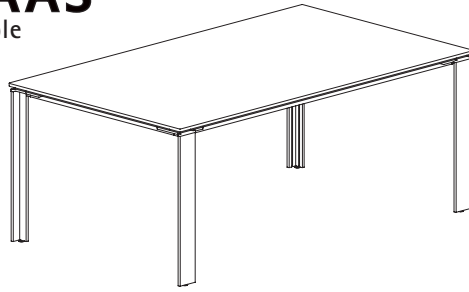
FRAMING AND LEGS COLOR OPTIONS

PLATINUM (P) CHARCOAL (G) WHITE (W) BLACK (N)

AGORA KLAAS

GLASS CONFERENCE table

LARGE "T" LEGS 29" HIGH



MODEL	CODE	DIMENSIONS			10mm GLASS White subtop
		Width	Depth	Height	

36"



TAV7236T29*	72	36	29	3185
-------------	----	----	----	------

42"



TAV8442T29*	84	42	29	3678
TAV9642T29*	96	42	29	4207

CODIFICATION

TAV	60	42	T29	P	-	BP
Model	Width	Depth	Legs	Legs color		Options

OPTIONS (see details p. 9-12)



Power
(Periphery only)

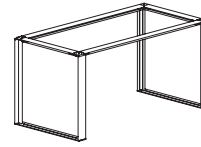
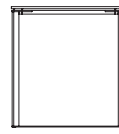
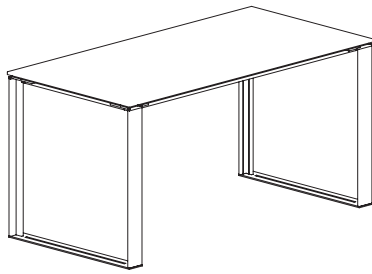
FRAMING AND LEGS COLOR OPTIONS

PLATINUM (P) CHARCOAL (G) WHITE (W) BLACK (N)

AGORA SQUAD

COLLABORATION Table

"0" LEGS 36" HIGH

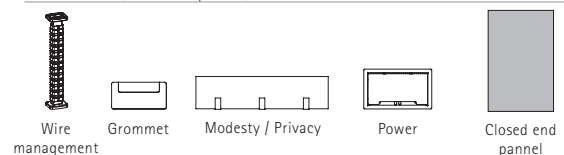


MODEL	CODE	DIMENSIONS			FINISHES		
		Width	Depth	Height	1 LPL 5/8"	2 HPL 11/16"	3 HPL 1"
24"							
	TA**6024D36*	60	24	36	1633	1788	1831
	TA**7224D36*	72	24	36	1731	1908	1951
	TA**8424D36*	84	24	36	1833	2032	2084
	TA**9624D36*	96	24	36	2018	2239	2299
30"							
	TA**6030E36*	60	30	36	1721	1906	1950
	TA**7230E36*	72	30	36	1823	2035	2087
	TA**8430E36*	84	30	36	1939	2176	2232
	TA**9630E36*	96	30	36	2132	2396	2461
36"							
	TA**6036F36*	60	36	36	1811	2023	2070
	TA**7236F36*	72	36	36	1922	2164	2220
	TA**8436F36*	84	36	36	2045	2322	2387
	TA**9636F36*	96	36	36	2244	2556	2625
42"							
	TA**6042FL36*	60	42	36	1978	2216	2272
	TA**7242FL36*	72	42	36	2062	2339	2399
	TA**8442FL36*	84	42	36	2191	2507	2576
	TA**9642FL36*	96	42	36	2402	2757	2834
48"							
	TA**6048FA36*	60	48	36	2108	2372	2433
	TA**7248FA36*	72	48	36	2233	2544	2613
	TA**8448FA36*	84	48	36	2371	2725	2799
	TA**9648FA36*	96	48	36	3355	3753	3835

CODIFICATION

TA	1	E	84	42	FL36	P	-	YP2
Model	Finishes	Color	Width	Depth	Legs	Legs color		Options

OPTIONS (see details p. 9-12)



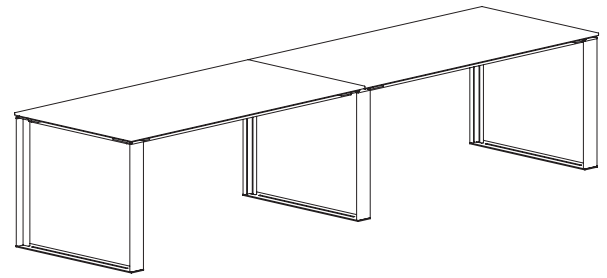
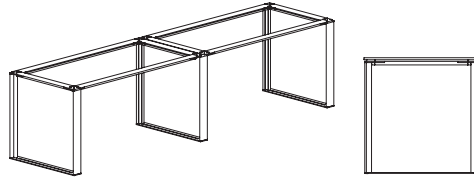
FRAMING AND LEGS COLOR OPTIONS

PLATINUM (P) CHARCOAL (G) WHITE (W) BLACK (N)

AGORA SQUAD

DOUBLE COLLABORATION Table

"0" LEGS 36" HIGH

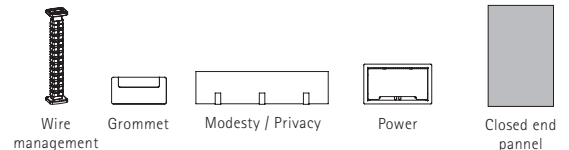


MODEL	CODE	DIMENSIONS			FINISHES		
		Width	Depth	Height	1 LPL 5/8"	2 HPL 11/16"	3 HPL 1"
24"							
	TA**12024W36*	120	24	36	2880	3191	3278
	TA**14424W36*	144	24	36	3062	3416	3502
	TA**16824W36*	168	24	36	3294	3692	3795
	TA**19224W36*	192	24	36	3723	4164	4285
30"							
	TA**12030Y36*	120	30	36	3059	3431	3517
	TA**14430Y36*	144	30	36	3250	3673	3777
	TA**16830Y36*	168	30	36	3467	3942	4055
	TA**19230Y36*	192	30	36	3954	4482	4611
36"							
	TA**12036Z36*	120	36	36	3230	3653	3748
	TA**14436Z36*	144	36	36	3437	3921	4034
	TA**16836Z36*	168	36	36	3663	4216	4346
	TA**19236Z36*	192	36	36	4168	4790	4929
42"							
	TA**12042ZL36*	120	42	36	3447	3922	4035
	TA**14442ZL36*	144	42	36	3672	4225	4346
	TA**16842ZL36*	168	42	36	3915	4546	4684
	TA**19242ZL36*	192	42	36	4428	5137	5293
48"							
	TA**12048ZB36*	120	48	36	3693	4220	4341
	TA**14448ZB36*	144	48	36	3926	4548	4687
	TA**16848ZB36*	168	48	36	4187	4895	5042
	TA**19248ZB36*	192	48	36	5340	6135	6300

CODIFICATION

TA	1	E	120	24	W36	P	-	YP2
Model	Finishes	Color	Width	Depth	Legs	Legs color		Options

OPTIONS (see details p. 9-12)



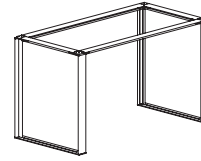
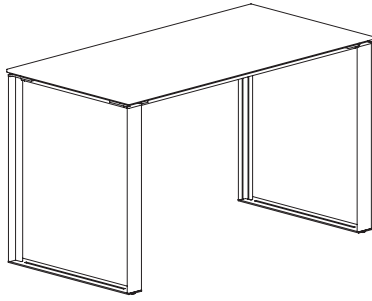
FRAMING AND LEGS COLOR OPTIONS

PLATINUM (P) CHARCOAL (G) WHITE (W) BLACK (N)

AGORA SQUAD

COLLABORATION Table

"0" LEGS 42" HIGH

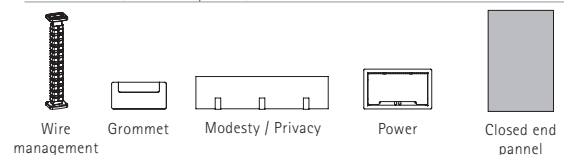


MODEL	CODE	DIMENSIONS			FINISHES		
		Width	Depth	Height	1 LPL 5/8"	2 HPL 11/16"	3 HPL 1"
24"							
	TA**6024D42*	60	24	42	1668	1824	1867
	TA**7224D42*	72	24	42	1766	1943	1987
	TA**8424D42*	84	24	42	1869	2068	2120
	TA**9624D42*	96	24	42	2054	2274	2335
30"							
	TA**6030E42*	60	30	42	1756	1942	1985
	TA**7230E42*	72	30	42	1858	2070	2122
	TA**8430E42*	84	30	42	1974	2212	2268
	TA**9630E42*	96	30	42	2168	2431	2496
36"							
	TA**6036F42*	60	36	42	1847	2059	2106
	TA**7236F42*	72	36	42	1958	2200	2256
	TA**8436F42*	84	36	42	2081	2357	2422
	TA**9636F42*	96	36	42	2280	2591	2660
42"							
	TA**6042FL42*	60	42	42	2014	2252	2308
	TA**7242FL42*	72	42	42	2099	2375	2436
	TA**8442FL42*	84	42	42	2228	2543	2613
	TA**9642FL42*	96	42	42	2439	2793	2871
48"							
	TA**6048FA42*	60	48	42	2140	2404	2464
	TA**7248FA42*	72	48	42	2265	2576	2645
	TA**8448FA42*	84	48	42	2402	2757	2830
	TA**9648FA42*	96	48	42	3387	3785	3867

CODIFICATION

TA	1	E	60	24	D42	P	-	YP2
Model	Finishes	Color	Width	Depth	Legs	Legs color		Options

OPTIONS (see details p. 9-12)



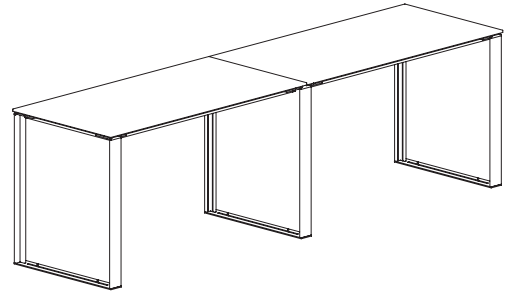
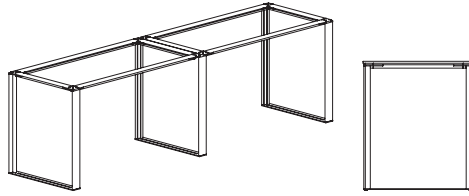
FRAMING AND LEGS COLOR OPTIONS

PLATINUM (P) CHARCOAL (G) WHITE (W) BLACK (N)

AGORA SQUAD

DOUBLE COLLABORATION Table

"O" LEGS 42" HIGH

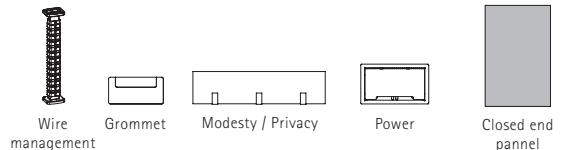


MODEL	CODE	DIMENSIONS			FINISHES		
		Width	Depth	Height	1 LPL 5/8"	2 HPL 11/16"	3 HPL 1"
24"							
	TA**12024W42*	120	24	42	2933	3244	3331
	TA**14424W42*	144	24	42	3115	3469	3556
	TA**16824W42*	168	24	42	3347	3745	3849
	TA**19224W42*	192	24	42	3776	4217	4338
30"							
	TA**12030Y42*	120	30	42	3113	3484	3571
	TA**14430Y42*	144	30	42	3303	3726	3830
	TA**16830Y42*	168	30	42	3520	3995	4107
	TA**19230Y42*	192	30	42	4007	4534	4664
36"							
	TA**12036Z42*	120	36	42	3283	3707	3802
	TA**14436Z42*	144	36	42	3490	3974	4087
	TA**16836Z42*	168	36	42	3716	4269	4399
	TA**19236Z42*	192	36	42	4221	4843	4982
42"							
	TA**12042ZL42*	120	42	42	3502	3977	4090
	TA**14442ZL42*	144	42	42	3727	4280	4401
	TA**16842ZL42*	168	42	42	3970	4601	4739
	TA**19242ZL42*	192	42	42	4483	5192	5348
48"							
	TA**12048ZB42*	120	48	42	3742	4270	4391
	TA**14448ZB42*	144	48	42	3976	4598	4737
	TA**16848ZB42*	168	48	42	4236	4945	5092
	TA**19248ZB42*	192	48	42	5390	6185	6349

CODIFICATION

TA	1	E	120	24	W42	P	-	YP2
Model	Finishes	Color	Width	Depth	Legs	Legs color		Options

OPTIONS (see details p. 9-12)



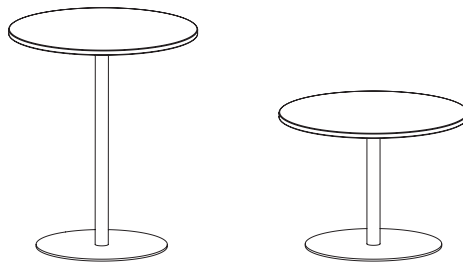
FRAMING AND LEGS COLOR OPTIONS

PLATINUM (P) CHARCOAL (G) WHITE (W) BLACK (N)

MONOPOD

ROUND MULTIPURPOSE Table

MONOPOD BASE
2 1/2" DIAMETER COLUMN
22" OR 26" DIAMETER DISK
IS DETERMINED BY THE SIZE
OF THE TOP



MODEL	CODE	DIMENSIONS		FINISHES
		Diameter	Height	3 HPL 1"
15"	MP3*2015P	20	15	614
	MP3*2415P	24	15	717
	MP3*3015P	30	15	979
	MP3*3215P	32	15	1010
	MP3*3615P	36	15	1065
	MP3*4215P	42	15	1165
17 1/2"	MP3*2017P	20	17 1/2	621
	MP3*2417P	24	17 1/2	724
	MP3*3017P	30	17 1/2	986
	MP3*3217P	32	17 1/2	1015
	MP3*3617P	36	17 1/2	1071
	MP3*4217P	42	17 1/2	1172
26"	MP3*2026P	20	26	648
	MP3*2426P	24	26	750
	MP3*3026P	30	26	1012
	MP3*3226P	32	26	1042
	MP3*3626P	36	26	1099
	MP3*4226P	42	26	1198
29"	MP3*2029P	20	29	664
	MP3*2429P	24	29	766
	MP3*3029P	30	29	1028
	MP3*3229P	32	29	1058
	MP3*3629P	36	29	1114
	MP3*4229P	42	29	1215
36"	MP3*2036P	20	36	685
	MP3*2436P	24	36	787
	MP3*3036P	30	36	1049
	MP3*3236P	32	36	1080
	MP3*3636P	36	36	1135
	MP3*4236P	42	36	1235
42"	MP3*2042P	20	42	691
	MP3*2442P	24	42	794
	MP3*3042P	30	42	1056
	MP3*3242P	32	42	1085
	MP3*3642P	36	42	1141
	MP3*4242P	42	42	1241

CODIFICATION

MP	3	E	20	15	P
Model	Finishes	Color	Length	Height	Legs color

LEGS COLOR OPTIONS

PLATINUM (P)	CHROME (C)
	Add 438 \$

MONOPOD

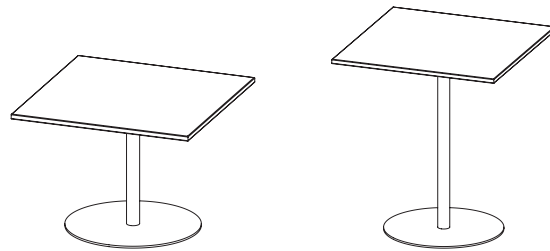
SQUARE MULTIPURPOSE Table

MONOPOD BASE

2½" DIAMETER COLUMN

22" OR 26" DIAMETER DISK

IS DETERMINED BY THE SIZE OF THE TOP



MODEL	CODE	DIMENSIONS			FINISHES
		Width	Depth	Height	3 HPL 1"
15"	MP3*202015P	20	20	15	528
	MP3*242415P	24	24	15	626
	MP3*303015P	30	30	15	901
	MP3*323215P	32	32	15	927
	MP3*363615P	36	36	15	983
	MP3*424215P	42	42	15	1082
17½"	MP3*202017P	20	20	17½	534
	MP3*242417P	24	24	17½	633
	MP3*303017P	30	30	17½	907
	MP3*323217P	32	32	17½	934
	MP3*363617P	36	36	17½	990
	MP3*424217P	42	42	17½	1090
26"	MP3*202026P	20	20	26	561
	MP3*242426P	24	24	26	659
	MP3*303026P	30	30	26	935
	MP3*323226P	32	32	26	961
	MP3*363626P	36	36	26	1016
	MP3*424226P	42	42	26	1116
29"	MP3*202029P	20	20	29	578
	MP3*242429P	24	24	29	676
	MP3*303029P	30	30	29	951
	MP3*323229P	32	32	29	977
	MP3*363629P	36	36	29	1032
	MP3*424229P	42	42	29	1132
36"	MP3*202036P	20	20	36	598
	MP3*242436P	24	24	36	696
	MP3*303036P	30	30	36	971
	MP3*323236P	32	32	36	997
	MP3*363636P	36	36	36	1054
	MP3*424236P	42	42	36	1153
42"	MP3*202042P	20	20	42	605
	MP3*242442P	24	24	42	703
	MP3*303042P	30	30	42	978
	MP3*323242P	32	32	42	1004
	MP3*363642P	36	36	42	1060
	MP3*424242P	42	42	42	1160

CODIFICATION

MP	3	E	20	20	15	P
Model	Finishes	Color	Width	Depth	Height	Legs color

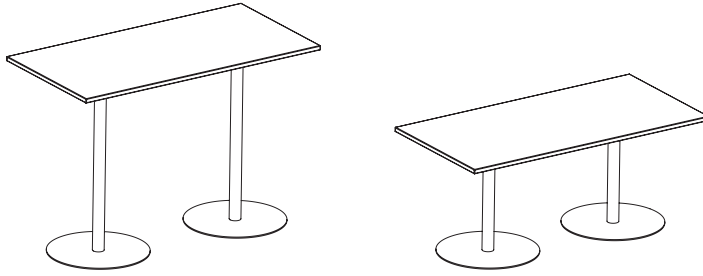
LEGS COLOR OPTIONS

PLATINUM (P)	CHROME (C)
Add 438 \$	

MONOPOD

RECTANGLE MULTIPURPOSE Table

DOUBLE MONOPOD BASE
 2½" DIAMETER COLUMN
 22" OR 26" DIAMETER DISK
 IS DETERMINED BY THE SIZE
 OF THE TOP



MODEL	CODE	DIMENSIONS			FINISHES
		Width	Depth	Height	3 HPL 1"
26"	MP3*482426PP	48	24	26	1210
	MP3*483026PP	48	30	26	1657
	MP3*603026PP	60	30	26	1735
	MP3*723026PP	72	30	26	1813
29"	MP3*482429PP	48	24	29	1243
	MP3*483029PP	48	30	29	1689
	MP3*603029PP	60	30	29	1767
	MP3*723029PP	72	30	29	1845
36"	MP3*482436PP	48	24	36	1285
	MP3*483036PP	48	30	36	1731
	MP3*603036PP	60	30	36	1809
	MP3*723036PP	72	30	36	1886
42"	MP3*482442PP	48	24	42	1298
	MP3*483042PP	48	30	42	1743
	MP3*603042PP	60	30	42	1822
	MP3*723042PP	72	30	42	1899

CODIFICATION

MP	3	E	48	24	26	PP
Model	Finishes	Color	Width	Depth	Height	Legs color

LEGS COLOR OPTIONS

PLATINUM (PP) CHROME (CC)
 Add 876\$

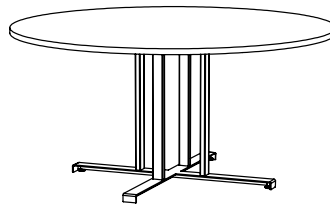
TNX

ROUND MULTIPURPOSE Table

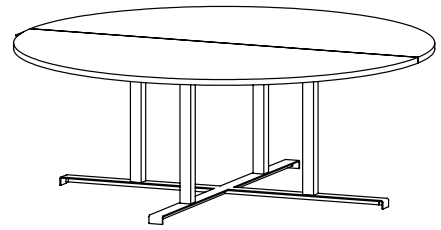
CROSS BASE
2" SQUARE COLUMN
24" OR 30" CROSS BASE
IS DETERMINED
BY THE SIZE OF THE TOP



24" - 42"



48" - 60"



72" - 84"

MODEL	CODE	DIMENSIONS		FINISHES	
		Diameter	Height	3 HPL 1"	9 HPL 1" Knife edge

24" to 42" dia.

26" H	MX**2426*	24	26	759	835
	MX**3026*	30	26	828	980
	MX**3626*	36	26	935	1087
	MX**4226*	42	26	1033	1185
29" H	MX**2429*	24	29	759	835
	MX**3029*	30	29	829	980
	MX**3629*	36	29	936	1087
	MX**4229*	42	29	1034	1185
36" H	MX**2436*	24	36	766	842
	MX**3036*	30	36	835	987
	MX**3636*	36	36	942	1093
	MX**4236*	42	36	1041	1192
42" H	MX**2442*	24	42	778	854
	MX**3042*	30	42	849	999
	MX**3642*	36	42	955	1106
	MX**4242*	42	42	1054	1204

No power option available

48" to 60" dia.

29" H	MX**4829*	48	29	1350	1533
	MX**5429*	54	29	1581	N/A
	MX**6029*	60	29	1717	N/A

OPTIONS (see details p. 9-12)



Power
(except FP)



Electrification box

72" to 84" dia.

29" H	MX**7229*	72	29	2763	3044
	MX**8429*	84	29	3112	3394

OPTIONS (see details p. 9-12)



Power



Electrification box

CODIFICATION

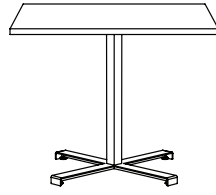
MX	3	E	48	29	P	-	RP2
Model	Finishes	Color	Diameter	Height	Legs color		Options

LEGS COLOR OPTIONS

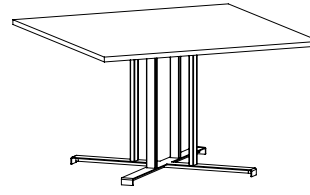
PLATINUM (P) WHITE (W) BLACK (N)

SQUARE MULTIPURPOSE Table

CROSS BASE
2" SQUARE COLUMN
24" OR 30" CROSS BASE IS
DETERMINED BY THE SIZE
OF THE TOP



24'' - 42''



54'' - 60''

MODEL	CODE	DIMENSIONS			FINISHES	
		Width	Depth	Height	3 HPL 1"	9 HPL 1" Knife edge
24" x 24" - 42" x 42"						
26" H	MX**242426*	24	24	26	671	747
	MX**303026*	30	30	26	753	904
	MX**363626*	36	36	26	855	1006
	MX**424226*	42	42	26	954	1105
29" H	MX**242429*	24	24	29	672	747
	MX**303029*	30	30	29	753	904
	MX**363629*	36	36	29	855	1007
	MX**424229*	42	42	29	955	1106
36" H	MX**242436*	24	24	36	678	753
	MX**303036*	30	30	36	760	911
	MX**363636*	36	36	36	862	1013
	MX**424236*	42	42	36	961	1113
42" H	MX**242442*	24	24	42	691	766
	MX**303042*	30	30	42	773	923
	MX**363642*	36	36	42	875	1026
	MX**424242*	42	42	42	974	1125

No power option available

48" x 48" - 60" x 60"

29" H	MX**484829*	48	48	29	1383	1566
	MX**545429*	54	54	29	1641	N/A
	MX**606029*	60	60	29	1906	N/A

OPTIONS (see details p. 9-12)



Power
(except FP)



Electrification box

CODIFICATION

MX	3	E	48	48	29	P	-	RP2
Model	Finishes	Color	Width	Depth	Legs	Legs color		Options

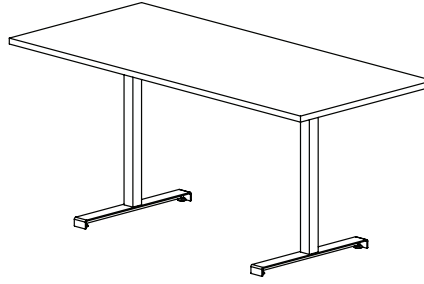
LEGS COLOR OPTIONS

PLATINUM (P) WHITE (W) BLACK (N)

TNX

RECTANGULAIRE MULTIPURPOSE Table

"T" LEGS 26" HIGH
 2" SQUARE COLUMNS
 24" OR 30" BLADE IS DETERMINED
 BY THE SIZE OF THE TOP

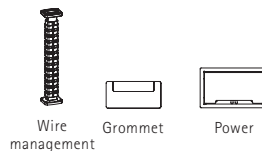


MODEL	CODE	DIMENSIONS			FINISHES	
		Width	Depth	Height	3 HPL 1"	9 HPL 1" Knife edge
26"	MT**482426*	24	48	26	903	1055
	MT**542426*	24	54	26	934	1085
	MT**602426*	24	60	26	1079	1230
	MT**662426*	24	66	26	1109	1261
	MT**722426*	24	72	26	1142	1331
	MT**782426*	24	78	26	1177	1366
	MT**842426*	24	84	26	1215	1404
	MT**962426*	24	96	26	1280	1468
	MT**483026*	30	48	26	963	1115
	MT**543026*	30	54	26	1003	1153
	MT**603026*	30	60	26	1151	1303
	MT**663026*	30	66	26	1191	1379
	MT**723026*	30	72	26	1232	1421
	MT**783026*	30	78	26	1271	1459
	MT**843026*	30	84	26	1317	1506
	MT**963026*	30	96	26	1395	1584
	MT**483626*	36	48	26	1023	1174
	MT**543626*	36	54	26	1071	1221
	MT**603626*	36	60	26	1224	1413
	MT**663626*	36	66	26	1271	1460
	MT**723626*	36	72	26	1317	1506
	MT**783626*	36	78	26	1364	1553
	MT**843626*	36	84	26	1419	1607
	MT**963626*	36	96	26	1509	1697
	MT**484226*	42	48	26	1133	1285
	MT**544226*	42	54	26	1190	1340
	MT**604226*	42	60	26	1301	1490
	MT**664226*	42	66	26	1378	1566
MT**724226*	42	72	26	1406	1595	
MT**784226*	42	78	26	1488	1676	
MT**844226*	42	84	26	1520	1710	
MT**964226*	42	96	26	1624	1813	

CODIFICATION

MT	3	E	48	24	26	P	-	RP2
Model	Finishes	Color	Width	Depth	Legs	Legs color		Options

OPTIONS (see details p. 9-12)



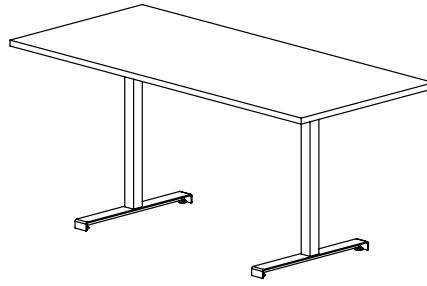
LEGS COLOR OPTIONS

PLATINUM (P) WHITE (W) BLACK (N)

TNX

RECTANGULAIRE MULTIPURPOSE Table

"T" LEG 29" HIGH
 2" SQUARE COLUMNS
 24" OR 30" BLADE IS
 DETERMINED BY THE SIZE
 OF THE TOP

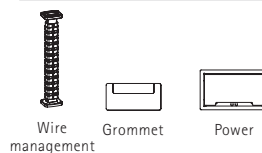


MODEL	CODE	DIMENSIONS			FINISHES	
		Width	Depth	Height	3 HPL 1"	9 HPL 1" Knife edge
29"	MT**482429*	24	48	29	904	1056
	MT**542429*	24	54	29	935	1087
	MT**602429*	24	60	29	1080	1230
	MT**662429*	24	66	29	1110	1262
	MT**722429*	24	72	29	1143	1332
	MT**782429*	24	78	29	1178	1368
	MT**842429*	24	84	29	1216	1405
	MT**962429*	24	96	29	1280	1470
	MT**483029*	30	48	29	964	1116
	MT**543029*	30	54	29	1003	1155
	MT**603029*	30	60	29	1152	1304
	MT**663029*	30	66	29	1192	1380
	MT**723029*	30	72	29	1233	1422
	MT**783029*	30	78	29	1271	1460
	MT**843029*	30	84	29	1318	1507
	MT**963029*	30	96	29	1396	1584
	MT**483629*	36	48	29	1024	1175
	MT**543629*	36	54	29	1072	1223
	MT**603629*	36	60	29	1225	1414
	MT**663629*	36	66	29	1272	1462
	MT**723629*	36	72	29	1318	1507
	MT**783629*	36	78	29	1365	1554
	MT**843629*	36	84	29	1420	1608
	MT**963629*	36	96	29	1510	1698
	MT**484229*	42	48	29	1135	1286
	MT**544229*	42	54	29	1191	1341
	MT**604229*	42	60	29	1302	1491
	MT**664229*	42	66	29	1379	1567
	MT**724229*	42	72	29	1407	1596
	MT**784229*	42	78	29	1488	1677
MT**844229*	42	84	29	1522	1711	
MT**964229*	42	96	29	1625	1813	

CODIFICATION

MT	3	E	48	24	29	P	-	RP2
Model	Finishes	Color	Width	Depth	Legs	Legs color		Options

OPTIONS (see details p. 9-12)



LEGS COLOR OPTIONS

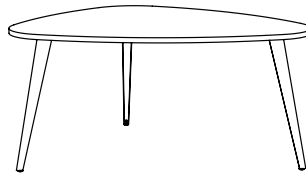
PLATINUM (P) WHITE (W) BLACK (N)

ZETTI

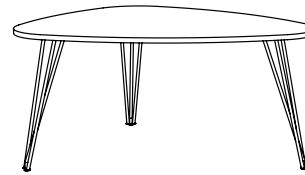
WATER DROP MULTIPURPOSE Table

BLADE AND PAPERCLIP LEGS

16" - 17 1/2" - 29" HIGH



Blade



Paperclip

MODEL	CODE	DIMENSIONS			FINISHES	
		Width	Depth	Height	3 HPL 1"	9 HPL 1" Knife edge

Blade legs

16"	TZG**2720ZL16*	20	27	16	749	825
	TZG**4632ZL16*	32	46	16	978	1130
	TZG**6143ZL16*	43	61	16	1408	1598
17 1/2"	TZG**2720ZL17*	20	27	17 1/2	757	832
	TZG**4632ZL17*	32	46	17 1/2	985	1136
	TZG**6143ZL17*	43	61	17 1/2	1415	1604
29"	TZG**6143ZL29*	43	61	29	1465	1654

Paperclip legs

16"	TZG**2720ZT16*	20	27	16	749	825
	TZG**4632ZT16*	32	46	16	978	1130
	TZG**6143ZT16*	43	61	16	1408	1598
17 1/2"	TZG**2720ZT17*	20	27	17 1/2	752	828
	TZG**4632ZT17*	32	46	17 1/2	981	1133
	TZG**6143ZT17*	43	61	17 1/2	1412	1601
29"	TZG**6143ZT29*	43	61	29	1539	1728

CODIFICATION

TZG	3	E	24	24	ZT17	P	-	RP2
Model	Finishes	Color	Width	Depth	Legs	Legs color		Options

OPTIONS (see details p. 9-12)



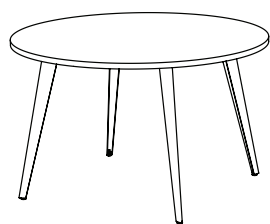
Power

LEGS COLOR OPTIONS

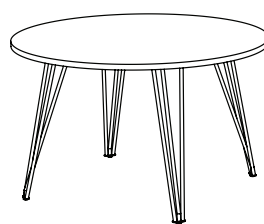
PLATINUM (P)	CHROME (C)	BLACK (N)
	Blade leg only	
	Add 389 \$	

ZETTI

ROUND MULTIPURPOSE Table
BLADE AND PAPERCLIP LEGS
16"-17 1/2" - 29" HIGH



Blade



Paperclip

MODEL	CODE	DIMENSIONS		FINISHES	
		Diameter	Height	3 HPL 1"	9 HPL 1" Knife edge

Blade legs

16"	TZ**24ZL16*	24	16	815	889
	TZ**30ZL16*	30	16	884	1034
	TZ**36ZL16*	36	16	970	1122
17 1/2"	TZ**24ZL17*	24	17 1/2	824	898
	TZ**30ZL17*	30	17 1/2	893	1045
	TZ**36ZL17*	36	17 1/2	979	1131
29"	TZ**36ZL29*	36	29	1046	1198
	TZ**42ZL29*	42	29	1145	1296
	TZ**48ZL29*	48	29	1256	1446
	TZ**54ZL29*	54	29	1385	N/A
	TZ**60ZL29*	60	29	1526	N/A

Paperclip legs

16"	TZ**24ZT16*	24	16	815	889
	TZ**30ZT16*	30	16	884	1034
	TZ**36ZT16*	36	16	970	1122
17 1/2"	TZ**24ZT17*	24	17 1/2	819	894
	TZ**30ZT17*	30	17 1/2	888	1039
	TZ**36ZT17*	36	17 1/2	974	1126
29"	TZ**36ZT29*	36	29	1144	1295
	TZ**42ZT29*	42	29	1243	1394
	TZ**48ZT29*	48	29	1354	1543
	TZ**54ZT29*	54	29	1483	N/A
	TZ**60ZT29*	60	29	1624	N/A

OPTIONS (see details p. 9-12)



Power

LEGS COLOR OPTIONS

PLATINUM (P)	CHROME (C)	BLACK (N)
Blade leg only Add 518 \$		

CODIFICATION

TZ	3	E	36	ZL29	P	-	RP2
Model	Finishes	Color	Diameter	Height	Legs color		Options

ZETTI

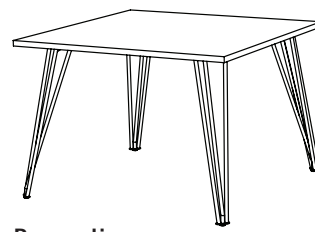
SQUARE MULTIPURPOSE Table

BLADE AND PAPERCLIP LEGS

16"-17 1/2" - 29" HIGH



Blade



Paperclip

MODEL	CODE	DIMENSIONS			FINISHES		
		Width	Depth	Height	3 HPL 1"	7 HPL 1" Round corner	9 HPL 1" Knife edge

Blade legs

16"	TZ**2020ZL16*	20	20	16	691	817	767
	TZ**2424ZL16*	24	24	16	733	852	802
	TZ**3030ZL16*	30	30	16	808	934	960
	TZ**3636ZL16*	36	36	16	891	1016	1041
	TZ**4242ZL16*	42	42	16	987	1113	1139
17 1/2"	TZ**2020ZL17*	20	20	17 1/2	700	826	776
	TZ**2424ZL17*	24	24	17 1/2	735	861	811
	TZ**3030ZL17*	30	30	17 1/2	818	944	969
	TZ**3636ZL17*	36	36	17 1/2	900	1025	1051
	TZ**4242ZL17*	42	42	17 1/2	996	1123	1148
29"	TZ**3636ZL29*	36	36	29	N/A	966	1117
	TZ**4242ZL29*	42	42	29	N/A	1065	1217
	TZ**4848ZL29*	48	48	29	N/A	1181	1370
	TZ**5454ZL29*	54	54	29	N/A	1448	N/A
	TZ**6060ZL29*	60	60	29	N/A	1721	N/A

Legs Paperclip

16"	TZ**2020ZT16*	20	20	16	691	817	767
	TZ**2424ZT16*	24	24	16	726	852	802
	TZ**3030ZT16*	30	30	16	808	934	960
	TZ**3636ZT16*	36	36	16	891	1016	1041
	TZ**4242ZT16*	42	42	16	987	1113	1139
17 1/2"	TZ**2020ZT17*	20	20	17 1/2	696	821	772
	TZ**2424ZT17*	24	24	17 1/2	731	857	807
	TZ**3030ZT17*	30	30	17 1/2	812	938	964
	TZ**3636ZT17*	36	36	17 1/2	895	1021	1046
	TZ**4242ZT17*	42	42	17 1/2	991	1117	1143
29"	TZ**3636ZT29*	36	36	29	N/A	1064	1216
	TZ**4242ZT29*	42	42	29	N/A	1164	1314
	TZ**4848ZT29*	48	48	29	N/A	1279	1467
	TZ**5454ZT29*	54	54	29	N/A	1545	N/A
	TZ**6060ZT29*	60	60	29	N/A	1766	N/A

OPTIONS (see details p. 9-12)



Power

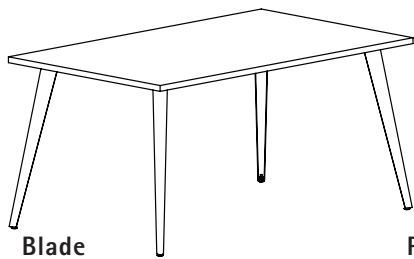
LEGS COLOR OPTIONS

PLATINUM (P) CHROME (C) BLACK (N)

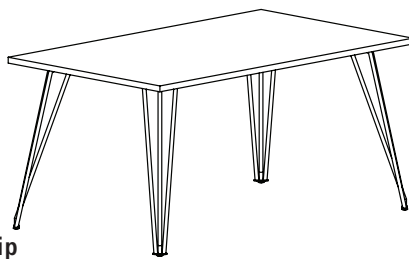
Blade leg only
Add 518 \$

CODIFICATION

TZ	3	E	36	36	ZL29	P	-	RP2
Model	Finishes	Color	Width	Depth	Legs	Legs color		Options



Blade



Paperclip

MODEL	CODE	DIMENSIONS			FINISHES	
		Width	Depth	Height	3 HPL 1"	9 HPL 1" Knife edge

Blade legs

29"	Code	Width	Depth	Height	3 HPL 1"	9 HPL 1" Knife edge
	TZ**6036ZL29*	36	60	29	1262	1413
	TZ**6636ZL29*	36	66	29	1310	1498
	TZ**7236ZL29*	36	72	29	1353	1541
	TZ**7836ZL29*	36	78	29	1400	1588
	TZ**8436ZL29*	36	84	29	1447	1636
	TZ**9636ZL29*	36	96	29	1537	1727
	TZ**6042ZL29*	42	60	29	1449	1638
	TZ**6642ZL29*	42	66	29	1526	1714
	TZ**7242ZL29*	42	72	29	1552	1741
	TZ**7842ZL29*	42	78	29	1633	1822
	TZ**8442ZL29*	42	84	29	1659	1848
	TZ**9642ZL29*	42	96	29	1763	1951
	TZ**6048ZL29*	48	60	29	1522	1711
	TZ**6648ZL29*	48	66	29	1611	1800
	TZ**7248ZL29*	48	72	29	1642	1830
	TZ**7848ZL29*	48	78	29	1727	1916
	TZ**8448ZL29*	48	84	29	1757	1945
	TZ**9648ZL29*	48	96	29	1877	2065

Paperclip legs

29"	Code	Width	Depth	Height	3 HPL 1"	9 HPL 1" Knife edge
	TZ**6036ZT29*	36	60	29	1360	1511
	TZ**6636ZT29*	36	66	29	1407	1596
	TZ**7236ZT29*	36	72	29	1450	1639
	TZ**7836ZT29*	36	78	29	1498	1687
	TZ**8436ZT29*	36	84	29	1545	1733
	TZ**9636ZT29*	36	96	29	1636	1824
	TZ**6042ZT29*	42	60	29	1547	1736
	TZ**6642ZT29*	42	66	29	1624	1813
	TZ**7242ZT29*	42	72	29	1651	1839
	TZ**7842ZT29*	42	78	29	1731	1919
	TZ**8442ZT29*	42	84	29	1757	1945
	TZ**9642ZT29*	42	96	29	1860	2050
	TZ**6048ZT29*	48	60	29	1619	1812
	TZ**6648ZT29*	48	66	29	1709	1898
	TZ**7248ZT29*	48	72	29	1739	1928
	TZ**7848ZT29*	48	78	29	1824	2013
	TZ**8448ZT29*	48	84	29	1855	2044
	TZ**9648ZT29*	48	96	29	1975	2164

OPTIONS (see details p. 9-12)



Power



Grommet

LEGS COLOR OPTIONS

PLATINUM (P)	CHROME (C)	BLACK (N)
	Blade leg only	
	Add 518 \$	

CODIFICATION

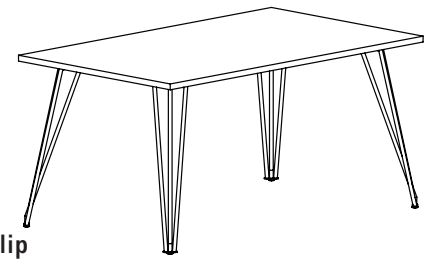
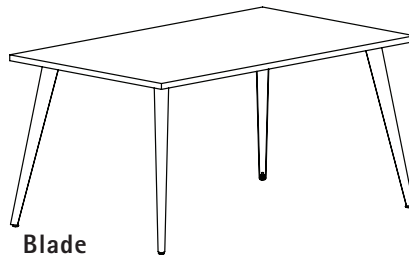
TZ	3	E	72	36	ZL29	P	-	RP2
Model	Finishes	Color	Width	Depth	Legs	Legs color		Options

ZETTI KLAAS

GLASS CONFERENCE TABLE

BLADE AND PAPERCLIP LEGS 29" HIGH

*KNIFE EDGE WHITE SUBTOP



MODEL	CODE	DIMENSIONS			FINISHES
		Width	Depth	Height	
					10mm Glass White subtop

Blade legs

29"	TZV7236ZL29*	36	72	29	2922
	TZV8442ZL29*	42	84	29	3570
	TZV9642ZL29*	42	96	29	3943

Paperclip legs

29"	TZV7236ZT29*	36	72	29	3021
	TZV8442ZT29*	42	84	29	3668
	TZV9642ZT29*	42	96	29	4041

OPTIONS (see details p. 9-12)



Power



Grommet

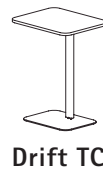
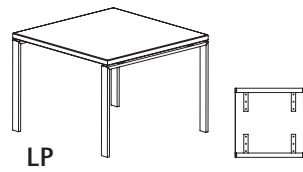
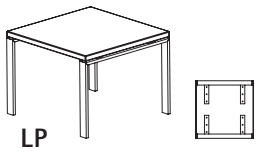
LEGS COLOR OPTIONS

PLATINUM (P)	CHROME (C)	BLACK (N)
	Blade leg only	
	Add 518 \$	

CODIFICATION

TZ	V	72	36	ZL29	P	-	BP
Model	Finishes	Width	Depth	Legs	Legs color		Options

LOUNGE Table



MODEL	CODE	DIMENSIONS			FINISHES	
		Width	Depth	Height	3 HPL 1"	
LP 15" high						
20"	LP3*202015P	20	20	15	519	
	LP3*242015P	24	20	15	541	
	LP3*302015P	30	20	15	567	
	LP3*362015P	36	20	15	567	
	LP3*482015P	48	20	15	649	
30"	LP3*203015P	20	30	15	577	
	LP3*243015P	24	30	15	603	
	LP3*303015P	30	30	15	647	
	LP3*363015P	36	30	15	685	
	LP3*483015P	48	30	15	763	
LP 17 1/2 high						
20"	LP3*202017P	20	20	17½	523	
	LP3*242017P	24	20	17½	545	
	LP3*302017P	30	20	17½	571	
	LP3*362017P	36	20	17½	571	
	LP3*482017P	48	20	17½	652	
24"	LP3*242417P	24	24	17½	562	
	LP3*302417P	30	24	17½	601	
	LP3*362417P	36	24	17½	635	
	LP3*482417P	48	24	17½	700	
Drift TC						
		Width	Depth	Height	1 HPL 1"	2 HPL 11/16"
Drift TC	TC**201626P	20	16	26	450	543

CODIFICATION

LP	3	E	20	20	15	P
Model	Finishes	Color	Width	Depth	Height	Legs color

LP LEGS COLOR OPTIONS

PLATINUM (P)

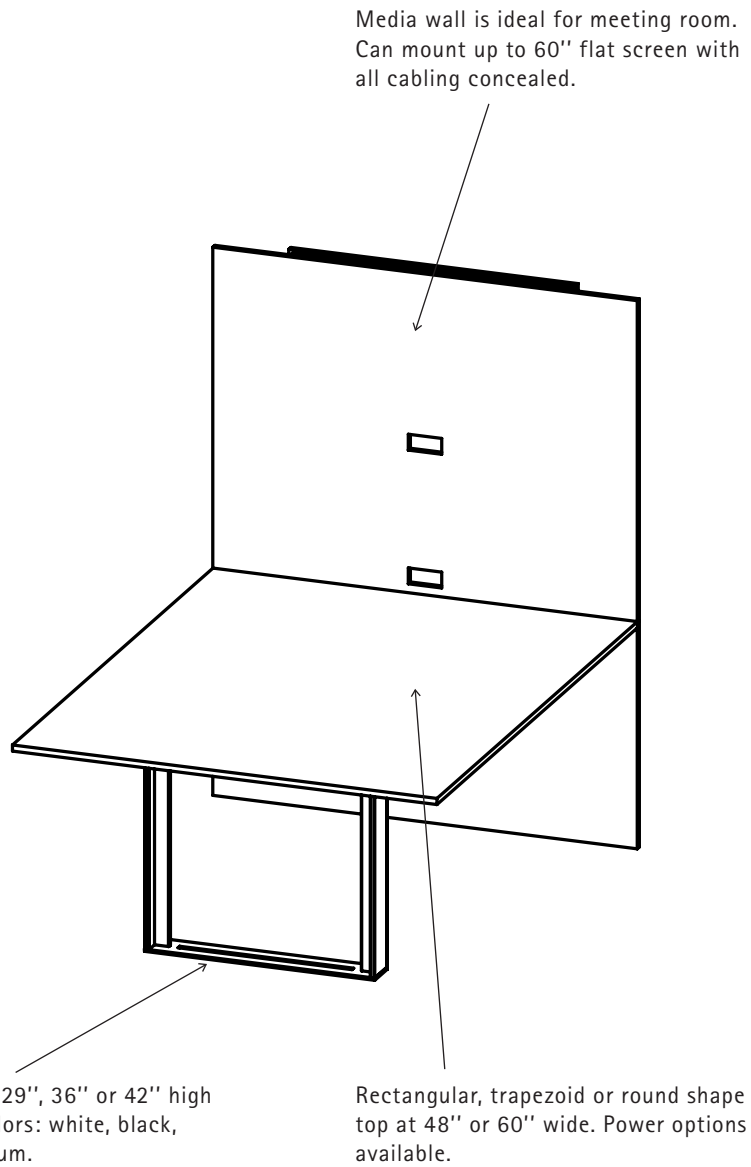
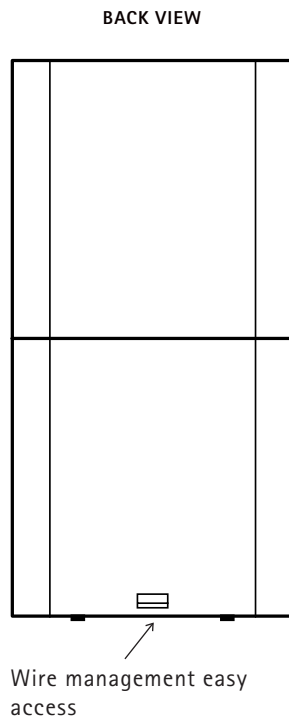
DRIFT TC LEGS COLOR OPTIONS

PLATINUM (P) WHITE (W) BLACK (N)

MEDIA TECHNOLOGY

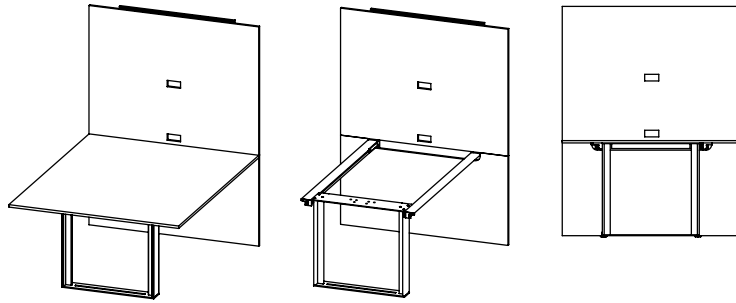
MEDIA FIT

With this smart and sleek configuration, the laminate vertical tech wall attaches to a table that can be rectangular, bullet, or trapezoid in shape. Table and screen-supporting walls are available in various heights. The wall is finished on both sides, so it can be free-standing in open office spaces. When floor layouts alter, the adaptable Media Fit is easy to move and eliminates the necessity of attaching the monitor to a fixed wall.



MEDIA FIT

RECTANGULAR TABLE 36" WIDTH
THE TABLE AND THE MEDIA WALL ARE
MANDATORY.



MODEL	CODE	DIMENSIONS			FINISHES		
		Width	Depth	Height	1 LPL 5/8"	8 HPL 13/16"	3 HPL 1"

TABLE

26"	FC**3636SF26*	36	36	26	1109	1264	1281
	FC**4836SF26*	48	36	26	1208	1400	1422
	FC**5436SF26*	54	36	26	1253	1466	1488
	FC**6036SF26*	60	36	26	1385	1616	1636
	FC**7236SF26*	72	36	26	1468	1732	1757
	FC**8436SF26*	84	36	26	1584	1886	1916
	FC**9636SF26*	96	36	26	1782	2119	2152
29"	FC**3636SF29*	36	36	29	1121	1276	1293
	FC**4836SF29*	48	36	29	1218	1412	1432
	FC**5436SF29*	54	36	29	1263	1477	1498
	FC**6036SF29*	60	36	29	1395	1626	1647
	FC**7236SF29*	72	36	29	1479	1744	1769
	FC**8436SF29*	84	36	29	1595	1898	1927
	FC**9636SF29*	96	36	29	1794	2129	2163
36"	FC**3636SF36*	36	36	36	1151	1306	1323
	FC**4836SF36*	48	36	36	1250	1442	1464
	FC**5436SF36*	54	36	36	1294	1508	1530
	FC**6036SF36*	60	36	36	1425	1656	1678
	FC**7236SF36*	72	36	36	1509	1822	1846
	FC**8436SF36*	84	36	36	1626	1928	1958
	FC**9636SF36*	96	36	36	1824	2159	2193
42"	FC**3636SF42*	36	36	42	1169	1324	1340
	FC**4836SF42*	48	36	42	1267	1460	1481
	FC**5436SF42*	54	36	42	1312	1526	1547
	FC**6036SF42*	60	36	42	1443	1675	1695
	FC**7236SF42*	72	36	42	1527	1791	1817
	FC**8436SF42*	84	36	42	1644	1945	1975
	FC**9636SF42*	96	36	42	1841	2178	2210

MEDIA WALL (mandatory)

	Width	Height*	1 LPL 5/8"	2 HPL 11/16"	5 Brillante
MF**3626*-Y*	36	36	2148	2820	3072
MF**3629*-Y*	36	36	2185	2856	3108
MF**3636*-Y*	36	36	2209	2902	3195
MF**3642*-Y*	36	36	2334	3090	3489

*Dimensions from the top of the table

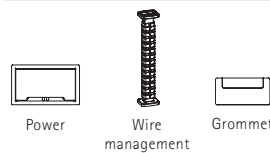
TABLE CODIFICATION

FC	1	E	72	36	SF26	P	-	RP2
Model	Finishes	Color	Depth	Width	Legs	Legs color		Options

MEDIA WALL CODIFICATION

MF	1	E	36	26	P	-	YP
Model	Finishes	Color	Width	Height	Framing		Grommet

OPTIONS (see details p. 9-12)

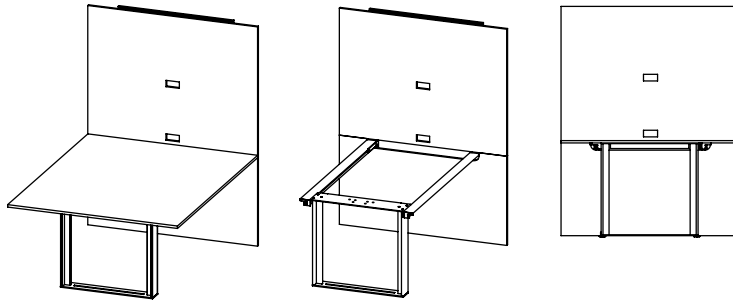


GROMMET COLOR OPTIONS

PLATINUM (P) WHITE (W) BLACK (N)

FRAMING AND LEGS COLOR OPTIONS

PLATINUM (P) CHARCOAL (G) WHITE (W) BLACK (N)



MEDIA FIT

RECTANGULAR TABLE 48" WIDTH
THE TABLE AND THE MEDIA WALL
ARE MANDATORY.

MODEL	CODE	DIMENSIONS			FINISHES		
		Width	Depth	Height	1 LPL 5/8"	8 HPL 13/16"	3 HPL 1"

TABLE

26"	FC**3648SL26*	36	48	26	1178	1371	1392
	FC**4848SL26*	48	48	26	1294	1533	1558
	FC**5448SL26*	54	48	26	1347	1611	1636
	FC**6048SL26*	60	48	26	1486	1772	1801
	FC**7248SL26*	72	48	26	1583	1919	1952
	FC**8448SL26*	84	48	26	1700	2069	2103
	FC**9648SL26*	96	48	26	1864	2246	2312
26"	FC**3648SL29*	36	48	29	1190	1382	1403
	FC**4848SL29*	48	48	29	1304	1543	1568
	FC**5448SL29*	54	48	29	1357	1621	1647
	FC**6048SL29*	60	48	29	1498	1783	1812
	FC**7248SL29*	72	48	29	1575	1911	1944
	FC**8448SL29*	84	48	29	1710	2079	2113
	FC**9648SL29*	96	48	29	1875	2257	2290
36"	FC**3648SL36*	36	48	36	1220	1413	1434
	FC**4848SL36*	48	48	36	1335	1574	1600
	FC**5448SL36*	54	48	36	1388	1653	1678
	FC**6048SL36*	60	48	36	1528	1814	1843
	FC**7248SL36*	72	48	36	1625	1960	1994
	FC**8448SL36*	84	48	36	1741	2111	2144
	FC**9648SL36*	96	48	36	1906	2288	2320
42"	FC**3648SL42*	36	48	42	1237	1431	1451
	FC**4848SL42*	48	48	42	1353	1592	1617
	FC**5448SL42*	54	48	42	1406	1670	1695
	FC**6048SL42*	60	48	42	1545	1831	1860
	FC**7248SL42*	72	48	42	1643	1978	2011
	FC**8448SL42*	84	48	42	1758	2128	2162
	FC**9648SL42*	96	48	42	1923	2305	2339

MEDIA WALL (mandatory)

	Width	Height*	1 LPL 5/8"	2 HPL 11/16"	5 Brillante
MF**4826*-Y*	48	36	2317	3155	3554
MF**4829*-Y*	48	36	2353	3193	3592
MF**4836*-Y*	48	36	2399	3342	3847
MF**4842*-Y*	48	36	2545	3572	3971

*Dimensions from the top of the table

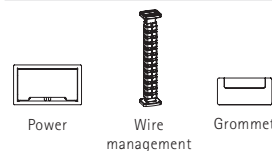
TABLE CODIFICATION

FC	1	E	60	48	SL26	P	-	RP2
Model	Finishes	Color	Depth	Width	Legs	Legs color		Options

MEDIA WALL CODIFICATION

MF	1	E	36	26	P	-	YP
Model	Finishes	Color	Width	Height	Framing		Grommet

OPTIONS (see details p. 9-12)



GROMMET COLOR OPTIONS

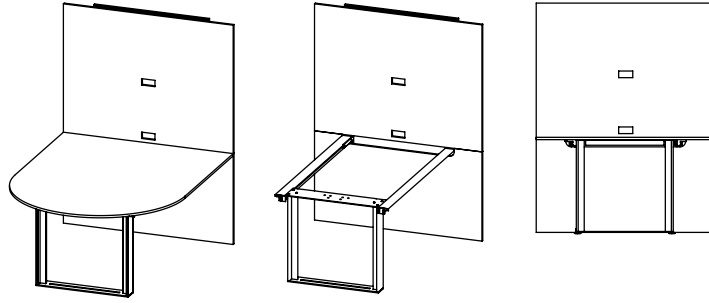
PLATINUM (P) WHITE (W) BLACK (N)

FRAMING AND LEGS COLOR OPTIONS

PLATINUM (P) CHARCOAL (G) WHITE (W) BLACK (N)

MEDIA FIT

ROUND SHAPE TABLE 36" WIDTH
THE TABLE AND THE MEDIA WALL
ARE MANDATORY.



MODEL	CODE	DIMENSIONS			FINISHES		
		Width	Depth	Height	1 LPL 5/8"	8 HPL 13/16"	3 HPL 1"

TABLE

26"	FR**3636SF26*	36	36	26	1178	1388	1409
	FR**4836SF26*	48	36	26	1243	1477	1499
	FR**5436SF26*	54	36	26	1328	1609	1635
	FR**6036SF26*	60	36	26	1434	1715	1741
	FR**7236SF26*	72	36	26	1501	1787	1833
	FR**8436SF26*	84	36	26	1618	1995	2017
	FR**9636SF26*	96	36	26	1812	2190	2223
29"	FR**3636SF29*	36	36	29	1178	1388	1409
	FR**4836SF29*	48	36	29	1253	1489	1509
	FR**5436SF29*	54	36	29	1339	1620	1645
	FR**6036SF29*	60	36	29	1446	1727	1752
	FR**7236SF29*	72	36	29	1513	1798	1843
	FR**8436SF29*	84	36	29	1629	2007	2027
	FR**9636SF29*	96	36	29	1823	2200	2234
36"	FR**3636SF36*	36	36	36	1220	1430	1451
	FR**4836SF36*	48	36	36	1284	1519	1540
	FR**5436SF36*	54	36	36	1370	1651	1676
	FR**6036SF36*	60	36	36	1476	1757	1782
	FR**7236SF36*	72	36	36	1543	1829	1875
	FR**8436SF36*	84	36	36	1660	2037	2059
	FR**9636SF36*	96	36	36	1854	2231	2265
42"	FR**3636SF42*	36	36	42	1237	1448	1468
	FR**4836SF42*	48	36	42	1302	1537	1558
	FR**5436SF42*	54	36	42	1387	1669	1694
	FR**6036SF42*	60	36	42	1494	1775	1800
	FR**7236SF42*	72	36	42	1561	1847	1892
	FR**8436SF42*	84	36	42	1677	2055	2076
	FR**9636SF42*	96	36	42	1871	2249	2282

MEDIA WALL (Mandatory)

	Width	Height*	1 LPL 5/8"	2 HPL 11/16"	5 Brillante
MF**3626*-Y*	36	36	2148	2820	3072
MF**3629*-Y*	36	36	2185	2856	3108
MF**3636*-Y*	36	36	2209	2902	3195
MF**3642*-Y*	36	36	2334	3090	3489

*Dimensions from the top of the table

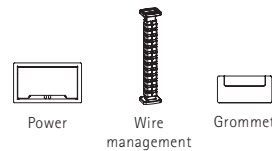
TABLE CODIFICATION

FC	1	E	60	48	SF26	P	-	RP2
Model	Finishes	Color	Depth	Width	Legs	Legs color		Options

MEDIA WALL CODIFICATION

MF	1	E	36	26	P	-	YP
Model	Finishes	Color	Width	Height	Framing		Grommet

OPTIONS (see details p. 9-12)

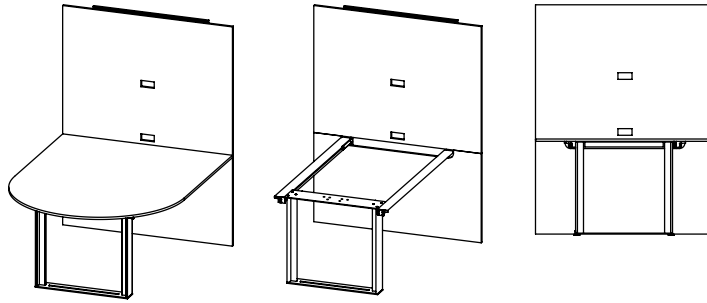


GROMMET COLOR OPTIONS

PLATINUM (P) WHITE (W) BLACK (N)

FRAMING AND LEGS COLOR OPTIONS

PLATINUM (P) CHARCOAL (G) WHITE (W) BLACK (N)



MEDIA FIT

ROUND SHAPE TABLE 48" WIDTH
THE TABLE AND THE MEDIA WALL
ARE MANDATORY.

MODEL	CODE	DIMENSIONS			FINISHES		
		Width	Depth	Height	1 LPL 5/8"	8 HPL 13/16"	3 HPL 1"

TABLE

26"	FR**3648SL26*	36	48	26	1219	1454	1475
	FR**4848SL26*	48	48	26	1312	1593	1619
	FR**5448SL26*	54	48	26	1364	1650	1696
	FR**6048SL26*	60	48	26	1505	1832	1860
	FR**7248SL26*	72	48	26	1601	1978	2012
	FR**8448SL26*	84	48	26	1733	2157	2196
	FR**9648SL26*	96	48	26	1949	2419	2461
29"	FR**3648SL29*	36	48	29	1229	1465	1485
	FR**4848SL29*	48	48	29	1323	1604	1629
	FR**5448SL29*	54	48	29	1374	1660	1706
	FR**6048SL29*	60	48	29	1515	1842	1872
	FR**7248SL29*	72	48	29	1611	1988	2022
	FR**8448SL29*	84	48	29	1745	2169	2206
	FR**9648SL29*	96	48	29	1959	2429	2471
36"	FR**3648SL36*	36	48	36	1260	1496	1516
	FR**4848SL36*	48	48	36	1354	1635	1660
	FR**5448SL36*	54	48	36	1406	1690	1737
	FR**6048SL36*	60	48	36	1545	1873	1902
	FR**7248SL36*	72	48	36	1642	2020	2093
	FR**8448SL36*	84	48	36	1775	2199	2241
	FR**9648SL36*	96	48	36	1990	2460	2502
42"	FR**3648SL42*	36	48	42	1278	1513	1534
	FR**4848SL42*	48	48	42	1371	1653	1678
	FR**5448SL42*	54	48	42	1423	1709	1755
	FR**6048SL42*	60	48	42	1564	1891	1920
	FR**7248SL42*	72	48	42	1660	2037	2071
	FR**8448SL42*	84	48	42	1792	2217	2255
	FR**9648SL42*	96	48	42	2008	2478	2520

MEDIA WALL (Mandatory)

	Width	Height*	1 LPL 5/8"	2 HPL 11/16"	5 Brillante
MF**4826*-Y*	48	36	2317	3155	3554
MF**4829*-Y*	48	36	2353	3193	3592
MF**4836*-Y*	48	36	2399	3342	3847
MF**4842*-Y*	48	36	2545	3572	3971

*Dimensions from the top of the table

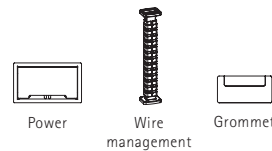
TABLE CODIFICATION

FC	1	E	60	48	SL26	P	-	RP2
Model	Finishes	Color	Depth	Width	Legs	Legs color		Options

MEDIA WALL CODIFICATION

MF	1	E	36	26	P	-	YP
Model	Finishes	Color	Width	Height	Framing		Grommet

OPTIONS (see details p. 9-12)



GROMMET COLOR OPTIONS

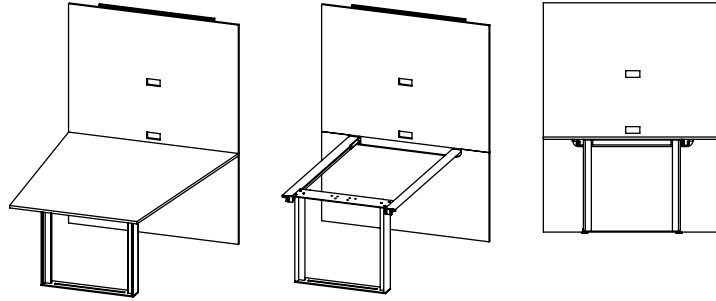
PLATINUM (P) WHITE (W) BLACK (N)

FRAMING AND LEGS COLOR OPTIONS

PLATINUM (P) CHARCOAL (G) WHITE (W) BLACK (N)

MEDIA FIT

TRAPEZOID SHAPE TABLE 36" WIDTH
THE TABLE AND THE MEDIA WALL
ARE MANDATORY.



MODEL	CODE	DIMENSIONS			FINISHES		
		Width	Depth	Height	1 LPL 5/8"	8 HPL 13/16"	3 HPL 1"

TABLE

26"	FT**5436SF26*	54	36	26	1328	1609	1635
	FT**6036SF26*	60	36	26	1434	1715	1741
	FT**7236SF26*	72	36	26	1501	1787	1833
	FT**8436SF26*	84	36	26	1618	1995	2017
	FT**9636SF26*	96	36	26	1812	2190	2223
29"	FT**5436SF29*	54	36	29	1339	1620	1645
	FT**6036SF29*	60	36	29	1446	1727	1752
	FT**7236SF29*	72	36	29	1513	1798	1843
	FT**8436SF29*	84	36	29	1629	2007	2027
	FT**9636SF29*	96	36	29	1823	2200	2234
36"	FT**5436SF36*	54	36	36	1370	1651	1676
	FT**6036SF36*	60	36	36	1476	1757	1782
	FT**7236SF36*	72	36	36	1520	1829	1875
	FT**8436SF36*	84	36	36	1660	2037	2059
	FT**9636SF36*	96	36	36	1854	2231	2265
42"	FT**5436SF42*	54	36	42	1387	1669	1694
	FT**6036SF42*	60	36	42	1494	1775	1800
	FT**7236SF42*	72	36	42	1561	1847	1892
	FT**8436SF42*	84	36	42	1677	2055	2076
	FT**9636SF42*	96	36	42	1871	2249	2282

MEDIA WALL (Mandatory)

	Width	Height*	1 LPL 5/8"	2 HPL 11/16"	5 Brillante
MF**3626*-Y*	36	36	2148	2820	3072
MF**3629*-Y*	36	36	2185	2856	3108
MF**3636*-Y*	36	36	2209	2902	3195
MF**3642*-Y*	36	36	2334	3090	3489

*Dimensions from the top of the table

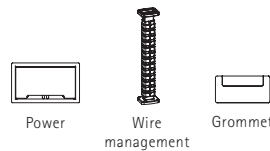
TABLE CODIFICATION

FC	1	E	54	36	SF26	P	-	RP2
Model	Finishes	Color	Depth	Width	Legs	Legs color		Options

MEDIA WALL CODIFICATION

MF	1	E	36	26	P	-	YP
Model	Finishes	Color	Width	Height	Framing		Grommet

OPTIONS (see details p. 9-12)

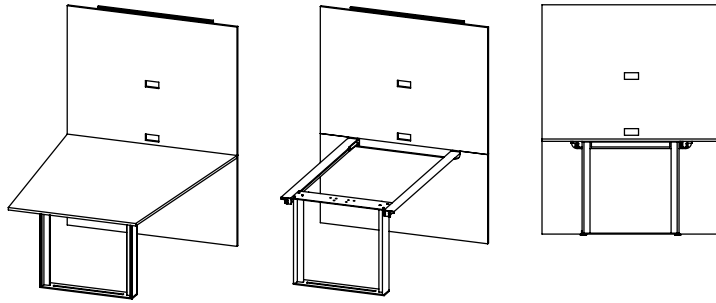


GROMMET COLOR OPTIONS

PLATINUM (P) WHITE (W) BLACK (N)

FRAMING AND LEGS COLOR OPTIONS

PLATINUM (P) CHARCOAL (G) WHITE (W) BLACK (N)



MEDIA FIT

TRAPEZOID SHPAE TABLE 48" WIDTH
THE TABLE AND THE MEDIA WALL
ARE MANDATORY.

MODEL	CODE	DIMENSIONS			FINISHES		
		Width	Depth	Height	1 LPL 5/8"	8 HPL 13/16"	3 HPL 1"

TABLE

26"	FT**5448SL26*	54	48	26	1364	1650	1696
	FT**6048SL26*	60	48	26	1505	1832	1860
	FT**7248SL26*	72	48	26	1601	1978	2012
	FT**8448SL26*	84	48	26	1733	2157	2196
	FT**9648SL26*	96	48	26	1949	2419	2461
29"	FT**5448SL29*	54	48	29	1374	1660	1706
	FT**6048SL29*	60	48	29	1515	1842	1872
	FT**7248SL29*	72	48	29	1611	1988	2022
	FT**8448SL29*	84	48	29	1745	2169	2206
	FT**9648SL29*	96	48	29	1959	2429	2471
36"	FT**5448SL36*	54	48	36	1406	1690	1737
	FT**6048SL36*	60	48	36	1545	1873	1902
	FT**7248SL36*	72	48	36	1642	2020	2053
	FT**8448SL36*	84	48	36	1775	2199	2237
	FT**9648SL36*	96	48	36	1990	2460	2502
42"	FT**5448SL42*	54	48	42	1423	1709	1755
	FT**6048SL42*	60	48	42	1564	1891	1920
	FT**7248SL42*	72	48	42	1660	2037	2071
	FT**8448SL42*	84	48	42	1792	2217	2255
	FT**9648SL42*	96	48	42	2008	2478	2520

MEDIA WALL (Mandatory)

	Width	Height*	1 LPL 5/8"	2 HPL 11/16"	5 Brillante
MF**4826*-Y*	48	36	2317	3155	3554
MF**4829*-Y*	48	36	2353	3193	3592
MF**4836*-Y*	48	36	2399	3342	3847
MF**4842*-Y*	48	36	2545	3572	3971

*Dimensions from the top of the table

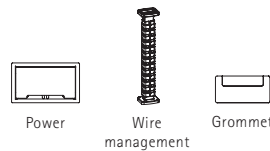
TABLE CODIFICATION

FC	1	E	54	48	SL26	P	-	RP2
Model	Finishes	Color	Depth	Width	Legs	Legs color		Options

MEDIA WALL CODIFICATION

MF	1	E	36	26	P	-	YP
Model	Finishes	Color	Width	Height	Framing		Grommet

OPTIONS (see details p. 9-12)



GROMMET COLOR OPTIONS

PLATINUM (P) WHITE (W) BLACK (N)

FRAMING AND LEGS COLOR OPTIONS

PLATINUM (P) CHARCOAL (G) WHITE (W) BLACK (N)

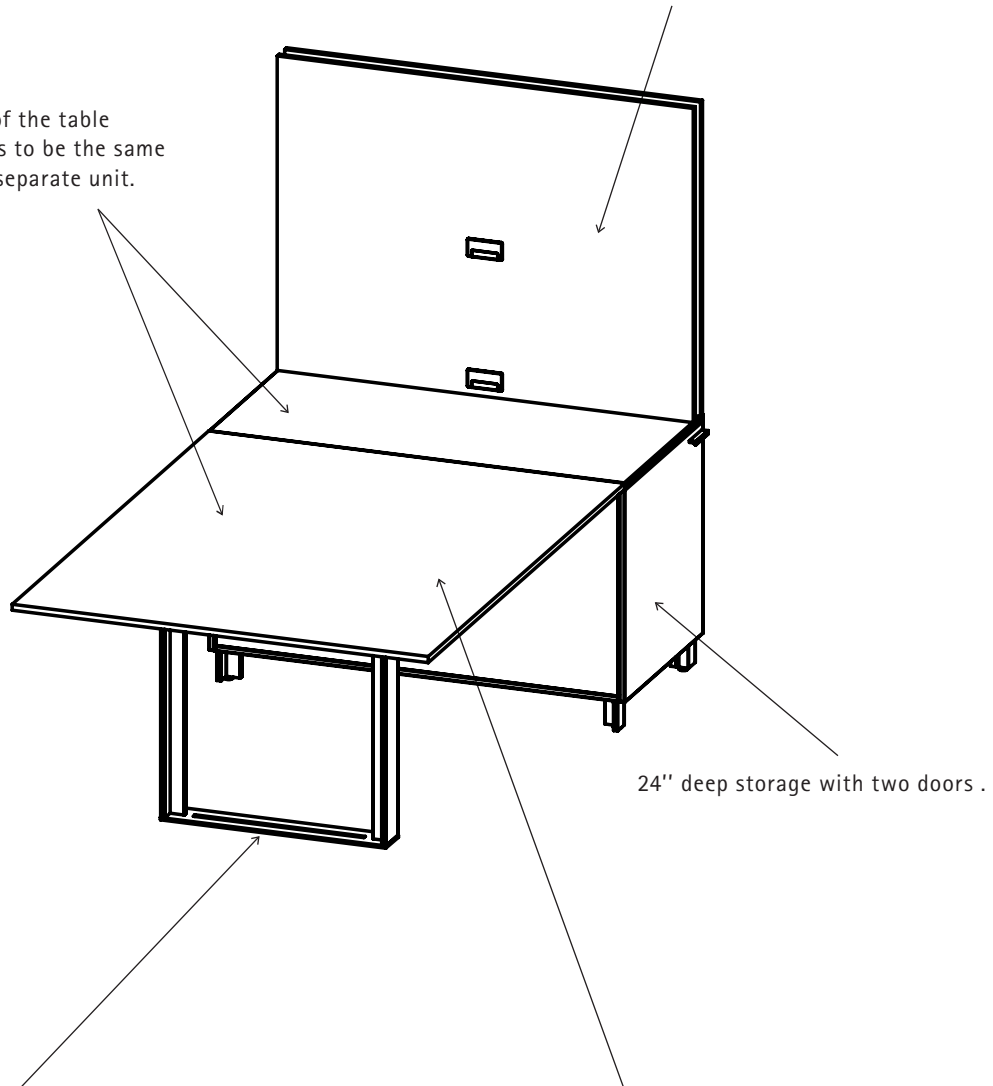
MEDIA CENTER

Perfect for meetings, video calls, small presentations, and collaborative work environments, Rouillard's interactive Media Centers are uniquely designed and unlike similar market products. Our multimedia walls and storage space are equipped to support your technological requirements and are comfortably designed to keep the conversation flowing while teams work together around the table.

Table and media storage are mandatory.

Optional media wall is ideal for meeting room. Can mount up to 60" flat screen with all cabling concealed.

Finish and color of the table and storage needs to be the same because it's two separate unit.



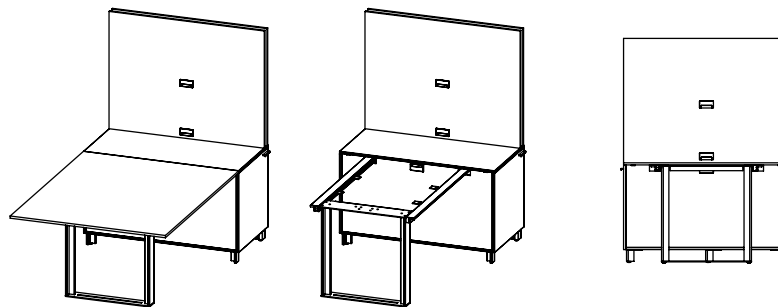
24" deep storage with two doors .

"O" leg base 26", 29", 36" or 42" high offered in four colors: white, black, charcoal or platinum.

Rectangular, trapezoid or round shape top at 48" or 60" wide. Power options available.

MEDIA CENTER

RECTANGULAR TABLE 48" WIDTH
THE TABLE AND THE MEDIA STORAGE
ARE MANDATORY.

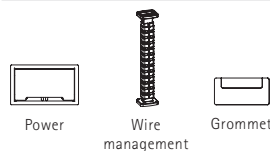


MODEL	CODE	DIMENSIONS			FINISHES	
		Width	Depth	Height	1 LPL 5/8"	8 HPL 13/16"

TABLE (mandatory)

48"	NC**3648S26*	36	48	26	1305	1504
	NC**4848S26*	48	48	26	1491	1738
	NC**5448S26*	54	48	26	1549	1822
	NC**6048S26*	60	48	26	1608	1902
	NC**7248S26*	72	48	26	1742	2088
	NC**8448S26*	84	48	26	2004	2398
	NC**9648S26*	96	48	26	2150	2591
	NC**3648S29*	36	48	29	1316	1514
	NC**4848S29*	48	48	29	1502	1748
	NC**5448S29*	54	48	29	1560	1832
	NC**6048S29*	60	48	29	1619	1913
	NC**7248S29*	72	48	29	1753	2098
	NC**8448S29*	84	48	29	2015	2408
	NC**9648S29*	96	48	29	2161	2602
	NC**3648S36*	36	48	36	1346	1545
	NC**4848S36*	48	48	36	1533	1779
	NC**5448S36*	54	48	36	1591	1863
	NC**6048S36*	60	48	36	1649	1943
	NC**7248S36*	72	48	36	1783	2129
	NC**8448S36*	84	48	36	2046	2439
	NC**9648S36*	96	48	36	2191	2632
	NC**3648S42*	36	48	42	1394	1592
	NC**4848S42*	48	48	42	1580	1826
	NC**5448S42*	54	48	42	1638	1910
	NC**6048S42*	60	48	42	1697	1991
	NC**7248S42*	72	48	42	1831	2176
	NC**8448S42*	84	48	42	2093	2487
	NC**9648S42*	96	48	42	2239	2680

OPTIONS (see details p. 9-12)



GROMMET COLOR OPTIONS

PLATINUM (P) WHITE (W) BLACK (N)

LEGS COLOR OPTIONS

PLATINUM (P) CHARCOAL (G) WHITE (W) BLACK (N)

TABLE CODIFICATION

NC	1	E	60	48	S29	P	-	RP2
Model	Finishes	Color	Length	Width	Legs	Legs color		Options

MEDIA CENTER

RECTANGULAR TABLE 48" WIDTH
THE TABLE AND THE MEDIA STORAGE
ARE MANDATORY.

MODEL	CODE	DIMENSIONS			FINISHES					
		Width	Depth	Height	*1*1*	*2*1*	*1*2*	*2*2*	*5*1*	*5*2*
					All LPL 5/8"	Chassis and top LPL 5/8" Front HPL 11/16"	Chassis and front LPL 5/8" Top HPL 11/16"	Chassis LPL 5/8" Front and Top HPL 11/16"	Chassis and top LPL 5/8" Front Brillante	Chassis LPL 5/8" Front Top HPL 11/16"

MEDIA STORAGE (mandatory)

48"	MODEL	Width	Depth	Height	*1*1*	*2*1*	*1*2*	*2*2*	*5*1*	*5*2*
	MN****482426****	48	24	26	1696	1813	1913	2029	1896	2012
	MN****482429****	48	24	29	1746	1879	1996	2129	1979	2112
	MN****482436****	48	24	36	1863	1996	2146	2279	2146	2279
	MN****482442****	48	24	42	1962	2096	2279	2412	2312	2445

MEDIA STORAGE CODIFICATION

MN	E	1	E	1	E	48	24	29	-	P	P	YP
Model	Chassis Color	Front Finish	Front Color	Top Finish	Top Color	Width	Depth	Height	Legs color	Handle	Grommet	

GROMMET COLOR OPTIONS

PLATINUM (P) WHITE (W) BLACK (N)

LEGS COLOR OPTIONS

PLATINUM (P) CHARCOAL (G) WHITE (W) BLACK (N)

MODEL	CODE	DIMENSIONS		FINISHES		
		Width	Height*	1	2	5
				LPL 5/8"	HPL 11/16"	Brillante

MEDIA WALL (optional)

48"	MODEL	Width	Height	1	2	5
	MW**4826*-Y*	48	36	1451	1984	2100
	MW**4829*-Y*	48	36	1464	1997	2113
	MW**4836*-Y*	48	36	1495	2028	2144
	MW**4842*-Y*	48	36	1527	2059	2176

*Dimensions from the top of the storage

MEDIA WALL CODIFICATION

MW	1	E	48	29	P	-	YP
Model	Finishes	Color	Width	Height	Framing		Grommet

GROMMET COLOR OPTIONS

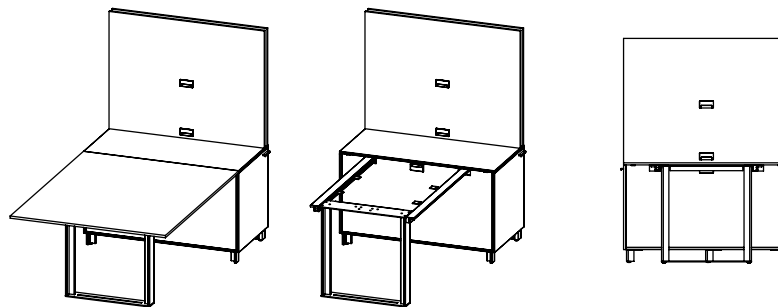
PLATINUM (P) WHITE (W) BLACK (N)

FRAMING COLOR OPTIONS

PLATINUM (P) CHARCOAL (G) WHITE (W) BLACK (N)

MEDIA CENTER

RECTANGULAR TABLE 60" WIDTH
THE TABLE AND THE MEDIA STORAGE
ARE MANDATORY.

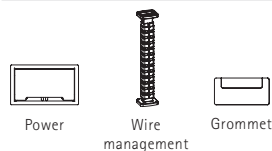


MODEL	CODE	DIMENSIONS			FINISHES
		Width	Depth	Height	
					8 HPL 13/16"

TABLE (mandatory)

60"	NC**4860Q26*	48	60	26	1947
	NC**5460Q26*	54	60	26	2083
	NC**6060Q26*	60	60	26	2138
	NC**7260Q26*	72	60	26	2354
	NC**8460Q26*	84	60	26	2690
	NC**9660Q26*	96	60	26	2913
	NC**4860Q29*	48	60	29	1958
	NC**5460Q29*	54	60	29	2094
	NC**6060Q29*	60	60	29	2148
	NC**7260Q29*	72	60	29	2364
	NC**8460Q29*	84	60	29	2700
	NC**9660Q29*	96	60	29	2924
	NC**4860Q36*	48	60	36	1989
	NC**5460Q36*	54	60	36	2125
	NC**6060Q36*	60	60	36	2179
	NC**7260Q36*	72	60	36	2395
	NC**8460Q36*	84	60	36	2731
	NC**9660Q36*	96	60	36	2955
	NC**4860Q42*	48	60	42	2006
	NC**5460Q42*	54	60	42	2142
	NC**6060Q42*	60	60	36	2197
	NC**7260Q42*	72	60	36	2413
	NC**8460Q42*	84	60	36	2749
	NC**9660Q42*	96	60	36	2972

OPTIONS (see details p. 9-12)



GROMMET COLOR OPTIONS

PLATINUM (P) WHITE (W) BLACK (N)

FRAMING AND LEGS COLOR OPTIONS

PLATINUM (P) CHARCOAL (G) WHITE (W) BLACK (N)

TABLE CODIFICATION

NC	8	E	60	60	Q29	P	-	RP2
Model	Finishes	Color	Length	Width	Legs	Legs color		Options

MEDIA CENTER

RECTANGULAR TABLE 60" WIDTH
THE TABLE AND THE MEDIA STORAGE ARE
MANDATORY.

MODEL	CODE	DIMENSIONS			FINISHES		
		Width	Depth	Height	*1*8* Chassis and front LPL 5/8" Top HPL 13/16"	*2*8* Chassis LPL 5/8" Top HPL 13/16" Front HPL 11/16"	*5*8* Chassis LPL 5/8" Front Brillante Top HPL 13/16"

MEDIA STORAGE (mandatory)

MODEL	CODE	Width	Depth	Height	*1*8*	*2*8*	*5*8*
60"	MN****602426****	60	24	26	1946	2162	2146
	MN****602429****	60	24	29	2012	2245	2229
	MN****602436****	60	24	36	2146	2429	2429
	MN****602442****	60	24	42	2262	2578	2595

MEDIA STORAGE CODIFICATION

MN	E	1	E	1	E	60	24	29	-	P	P	YP
Model	Chassis Color	Front Finish	Front Color	Top Finish	Top Color	Width	Depth	Height		Legs color	Handle	Grommet

GROMMET COLOR OPTIONS

PLATINUM (YP) WHITE (YW) BLACK (YN)

FRAMING COLOR OPTIONS

PLATINUM (P) CHARCOAL (G) WHITE (W) BLACK (N)

MODEL	CODE	DIMENSIONS		FINISHES		
		Width	Height*	1 LPL 5/8"	2 HPL 11/16"	5 Brillante

MEDIA WALL (optional)

MODEL	CODE	Width	Height*	1	2	5
60"	MW**6026*-Y*	60	36	1604	2254	2437
	MW**6029*-Y*	60	36	1644	2293	2476
	MW**6036*-Y*	60	36	1649	2298	2481
	MW**6042*-Y*	60	36	1680	2329	2512

*Dimensions from the top of the storage

MEDIA WALL CODIFICATION

MW	1	E	60	29	P	-	YP
Model	Finishes	Color	Width	Height	Framing		Options

GROMMET COLOR OPTIONS

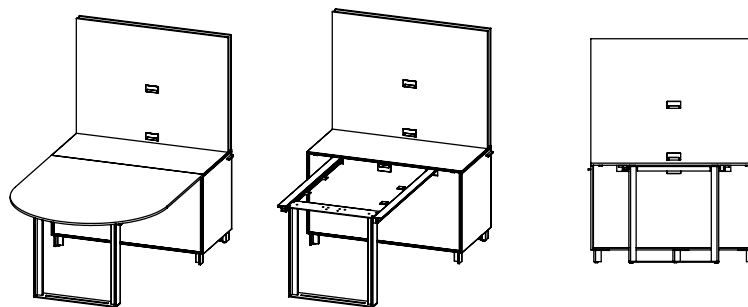
PLATINUM (P) WHITE (W) BLACK (N)

FRAMING AND COLOR OPTIONS

PLATINUM (P) CHARCOAL (G) WHITE (W) BLACK (N)

MEDIA CENTER

ROUND SHAPE TABLE 48" WIDTH
THE TABLE AND THE MEDIA STORAGE
ARE MANDATORY.

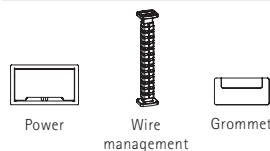


MODEL	CODE	DIMENSIONS			FINISHES	
		Width	Depth	Height	1 LPL 5/8"	8 HPL 13/16"

TABLE (mandatory)

48"	Code	Width	Depth	Height	Finish 1	Finish 8
	NR**3648S26*	36	48	26	1339	1581
	NR**4848S26*	48	48	26	1526	1815
	NR**5448S26*	54	48	26	1584	1878
	NR**6048S26*	60	48	26	1643	1980
	NR**7248S26*	72	48	26	1777	2166
	NR**8448S26*	84	48	26	2039	2476
	NR**9648S26*	96	48	26	2185	2669
	NR**3648S29*	36	48	29	1350	1592
	NR**4848S29*	48	48	29	1537	1826
	NR**5448S29*	54	48	29	1595	1888
	NR**6048S29*	60	48	29	1653	1990
	NR**7248S29*	72	48	29	1787	2176
	NR**8448S29*	84	48	29	2050	2486
	NR**9648S29*	96	48	29	2195	2679
	NR**3648S36*	36	48	36	1381	1623
	NR**4848S36*	48	48	36	1567	1857
	NR**5448S36*	54	48	36	1625	1919
	NR**6048S36*	60	48	36	1684	1021
	NR**7248S36*	72	48	36	1818	2207
	NR**8448S36*	84	48	36	2080	2517
	NR**9648S36*	96	48	36	2226	2710
	NR**3648S42*	36	48	42	1428	1670
	NR**4848S42*	48	48	42	1615	1904
	NR**5448S42*	54	48	42	1673	1967
	NR**6048S42*	60	48	42	1731	2068
	NR**7248S42*	72	48	42	1865	2254
	NR**8448S42*	84	48	42	2128	2564
	NR**9648S42*	96	48	42	2273	2758

OPTIONS (see details p. 9-12)



GROMMET COLOR OPTIONS

PLATINUM (P) WHITE (W) BLACK (N)

FRAMING AND LEGS COLOR OPTIONS

PLATINUM (P) CHARCOAL (G) WHITE (W) BLACK (N)

TABLE CODIFICATION

NR	1	E	60	48	S29	P	-	RP2
Model	Finishes	Color	Length	Width	Legs	Legs color		Options

MEDIA CENTER

ROUND SHAPE TABLE 48" WIDTH
THE TABLE AND THE MEDIA STORAGE
ARE MANDATORY.

MODEL	CODE	DIMENSIONS			FINISHES					
		Width	Depth	Height	*1*1* All LPL 5/8"	*2*1* Chassis and top LPL 5/8" Front HPL 11/16"	*1*2* Chassis and front LPL 5/8" Top HPL 11/16"	*2*2* Chassis LPL 5/8" Front and Top HPL 11/16"	*5*1* Chassis and top LPL 5/8" Front Brillante	*5*2* Chassis LPL 5/8" Front Brillante Top HPL 11/16"

MEDIA STORAGE (mandatory)

48"	MODEL	Width	Depth	Height	*1*1*	*2*1*	*1*2*	*2*2*	*5*1*	*5*2*
	MN****482426****	48	24	26	1696	1813	1913	2029	1896	2012
	MN****482429****	48	24	29	1746	1879	1996	2129	1979	2112
	MN****482436****	48	24	36	1863	1996	2146	2279	2146	2279
	MN****482442****	48	24	42	1962	2096	2279	2412	2312	2445

MEDIA STORAGE CODIFICATION

MN	E	1	E	1	E	48	24	29	-	P	P	YP
Model	Chassis Color	Front Finish	Front Color	Top Finish	Top Color	Width	Depth	Height	Legs color	Handle	Grommet	

GROMMET COLOR OPTIONS

PLATINUM (YP) WHITE (YW) BLACK (YN)

FRAMING AND LEGS COLOR OPTIONS

PLATINUM (P) CHARCOAL (G) WHITE (W) BLACK (N)

MODEL	CODE	DIMENSIONS		FINISHES		
		Width	Height*	1 LPL 5/8"	2 HPL 11/16"	5 Brillante

MEDIA WALL (optional)

48"	MODEL	Width	Height*	1	2	5
	MW**4826*-Y*	48	36	1451	1984	2100
	MW**4829*-Y*	48	36	1464	1997	2113
	MW**4836*-Y*	48	36	1495	2028	2144
	MW**4842*-Y*	48	36	1527	2059	2176

*Dimensions from the top of the storage

MEDIA WALL CODIFICATION

MW	1	E	48	29	P	-	YP
Model	Finishes	Color	Width	Height	Framing		Grommet

GROMMET COLOR OPTIONS

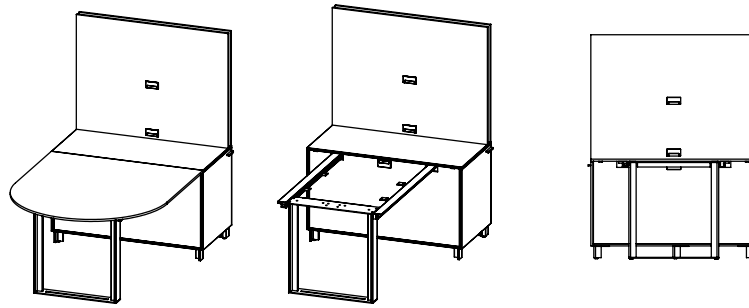
PLATINUM (P) WHITE (W) BLACK (N)

FRAMING AND LEGS COLOR OPTIONS

PLATINUM (P) CHARCOAL (G) WHITE (W) BLACK (N)

MEDIA CENTER

ROUND SHAPE TABLE 60" WIDTH
THE TABLE AND THE MEDIA STORAGE
ARE MANDATORY.



MODEL	CODE	DIMENSIONS			FINISHES
		Width	Depth	Height	

8
HPL 13/16"

TABLE (mandatory)

60"	Code	Width	Depth	Height	Finish
	NR**4860Q26*	48	60	26	2025
	NR**5460Q26*	54	60	26	2122
	NR**6060Q26*	60	60	26	2220
	NR**7260Q26*	72	60	26	2432
	NR**8460Q26*	84	60	26	2772
	NR**9660Q26*	96	60	26	2991
	NR**4860Q29*	48	60	29	2036
	NR**5460Q29*	54	60	29	2133
	NR**6060Q29*	60	60	29	2230
	NR**7260Q29*	72	60	29	2442
	NR**8460Q29*	84	60	29	2783
	NR**9660Q29*	96	60	29	3002
	NR**4860Q36*	48	60	36	2067
	NR**5460Q36*	54	60	36	2163
	NR**6060Q36*	60	60	36	2261
	NR**7260Q36*	72	60	36	2473
	NR**8460Q36*	84	60	36	2813
	NR**9660Q36*	96	60	36	3032
	NR**4860Q42*	48	60	42	2084
	NR**5460Q42*	54	60	42	2181
	NR**6060Q42*	60	60	36	2279
	NR**7260Q42*	72	60	36	2490
	NR**8460Q42*	84	60	36	2831
	NR**9660Q42*	96	60	36	3050

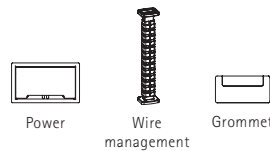
GROMMET COLOR OPTIONS

PLATINUM (P) WHITE (W) BLACK (N)

FRAMING AND LEGS COLOR OPTIONS

PLATINUM (P) CHARCOAL (G) WHITE (W) BLACK (N)

OPTIONS (see details p. 9-12)



GROMMET COLOR OPTIONS

PLATINUM (P) WHITE (W) BLACK (N)

FRAMING AND LEGS COLOR OPTIONS

PLATINUM (P) CHARCOAL (G) WHITE (W) BLACK (N)

TABLE CODIFICATION

NR	1	E	60	48	S29	P	-	RP2
Model	Finishes	Color	Length	Width	Legs	Legs color		Options

MEDIA CENTER

ROUND SHAPE TABLE 60" WIDTH
THE TABLE AND THE MEDIA STORAGE
ARE MANDATORY.

MODEL	CODE	DIMENSIONS			FINISHES		
		Width	Depth	Height	*1*8* Chassis and front LPL 5/8" Top HPL 13/16"	*2*8* Chassis LPL 5/8" Top HPL 13/16" Front HPL 11/16"	*5*8* Chassis LPL 5/8" Front Brillante Top HPL 13/16"

MEDIA STORAGE (mandatory)

60"	MN****602426****	60	24	26	1946	2162	2146
	MN****602429****	60	24	29	2012	2245	2229
	MN****602436****	60	24	36	2146	2429	2429
	MN****602442****	60	24	42	2262	2578	2595

MEDIA STOTAGE CODIFICATION

MN	E	1	E	1	E	60	48	29	-	P	P	YP
Model	Chassis Color	Front Finish	Front Color	Top Finish	Top Color	Width	Depth	Height		Legs color	Handle	Grommet

GROMMET COLOR OPTIONS

PLATINUM (YP) WHITE (YW) BLACK (YN)

FRAMING COLOR OPTIONS

PLATINUM (P) CHARCOAL (G) WHITE (W) BLACK (N)

MODEL	CODE	DIMENSIONS		FINISHES		
		Width	Height*	1 LPL 5/8"	2 HPL 11/16"	5 Brillante

MEDIA WALL (optional)

60"	MW**6026*-Y*	60	36	1604	2254	2437
	MW**6029*-Y*	60	36	1644	2293	2476
	MW**6036*-Y*	60	36	1649	2298	2481
	MW**6042*-Y*	60	36	1680	2329	2512

*Dimensions from the top of the storage

MEDIA WALL CODIFICATION

MW	1	E	60	29	P	-	YP
Model	Finishes	Color	Width	Height	Framing		Options

GROMMET COLOR OPTIONS

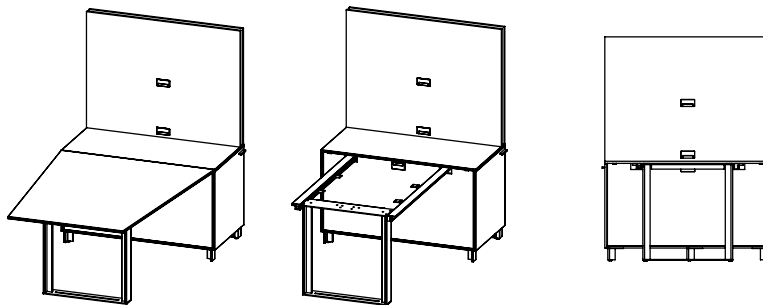
PLATINUM (P) WHITE (W) BLACK (N)

FRAMING COLOR OPTIONS

PLATINUM (P) CHARCOAL (G) WHITE (W) BLACK (N)

MEDIA CENTER

TRAPEZOID SHAPE TABLE 48" WIDTH
THE TABLE AND THE MEDIA STORAGE
ARE MANDATORY.



MODEL	CODE	DIMENSIONS			FINISHES	
		Width	Depth	Height	1 LPL 5/8"	8 HPL 13/16"

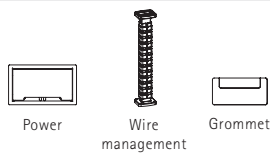
TABLE (mandatory)

48"	Model	Width	Depth	Height	Finish 1	Finish 8
	NT**5448S26*	54	48	26	1873	2349
	NT**6048S26*	60	48	26	1902	2395
	NT**7248S26*	72	48	26	1975	2464
	NT**8448S26*	84	48	26	2173	2657
	NT**9648S26*	96	48	26	2254	2734
	NT**5448S29*	54	48	29	1884	2360
	NT**6048S29*	60	48	29	1913	2405
	NT**7248S29*	72	48	29	1986	2474
	NT**8448S29*	84	48	29	2184	2668
	NT**9648S29*	96	48	29	2265	2744
	NT**5448S36*	54	48	36	1915	2390
	NT**6048S36*	60	48	36	1943	2436
	NT**7248S36*	72	48	36	2017	2505
	NT**8448S36*	84	48	36	2214	2698
	NT**9648S36*	96	48	36	2295	2775
	NT**5448S42*	54	48	42	1962	2438
	NT**6048S42*	60	48	42	1991	2483
	NT**7248S42*	72	48	42	2064	2552
	NT**8448S42*	84	48	42	2262	2746
	NT**9648S42*	96	48	42	2343	2822

TABLE CODIFICATION

NT	1	E	60	48	S29	P	-	RP2
Model	Finishes	Color	Length	Width	Legs	Legs color		Options

OPTIONS (see details p. 9-12)



GROMMET COLOR OPTIONS

PLATINUM (P) WHITE (W) BLACK (N)

FRAMING AND LEGS COLOR OPTIONS

PLATINUM (P) CHARCOAL (G) WHITE (W) BLACK (N)

MEDIA CENTER

TRAPEZOID SHAPE TABLE 48" WIDTH
THE TABLE AND THE MEDIA STORAGE
ARE MANDATORY.

MODEL	CODE	DIMENSIONS			FINISHES					
		Width	Depth	Height	*1*1* All LPL 5/8"	*2*1* Chassis and top LPL 5/8" Front HPL 11/16"	*1*2* Chassis and front LPL 5/8" Top HPL 11/16"	*2*2* Chassis LPL 5/8" Front and Top HPL 11/16"	*5*1* Chassis and top LPL 5/8" Front Brillante	*5*2* Chassis LPL 5/8" Front Brillante Top HPL

MEDIA STORAGE (mandatory)

48"	CODE	Width	Depth	Height	*1*1*	*2*1*	*1*2*	*2*2*	*5*1*	*5*2*
	MN****482426****	48	24	26	1696	1813	1913	2029	1896	2012
	MN****482429****	48	24	29	1746	1879	1996	2129	1979	2112
	MN****482436****	48	24	36	1863	1996	2146	2279	2146	2279
	MN****482442****	48	24	42	1962	2096	2279	2412	2312	2445

MEDIA STORAGE CODIFICATION

MN	E	1	E	1	E	48	24	29	-	P	P	YP
Model	Chassis Color	Front Finish	Front Color	Top Finish	Top Color	Width	Depth	Height	Legs color	Handle	Grommet	

GROMMET COLOR OPTIONS

PLATINUM (YP) WHITE (YW) BLACK (YN)

FRAMING COLOR OPTIONS

PLATINUM (P) CHARCOAL (G) WHITE (W) BLACK (N)

MODEL	CODE	DIMENSIONS		FINISHES		
		Width	Height*	1 LPL 5/8"	2 HPL 11/16"	5 Brillante

MEDIA WALL (optional)

48"	CODE	Width	Height	1	2	5
	MW**4826*-Y*	48	36	1451	1984	2100
	MW**4829*-Y*	48	36	1464	1997	2113
	MW**4836*-Y*	48	36	1495	2028	2144
	MW**4842*-Y*	48	36	1527	2059	2176

*Dimensions from the top of the storage

MEDIA WALL CODIFICATION

MW	1	E	48	29	P	-	YP
Model	Finishes	Color	Width	Height	Framing		Grommet

GROMMET COLOR OPTIONS

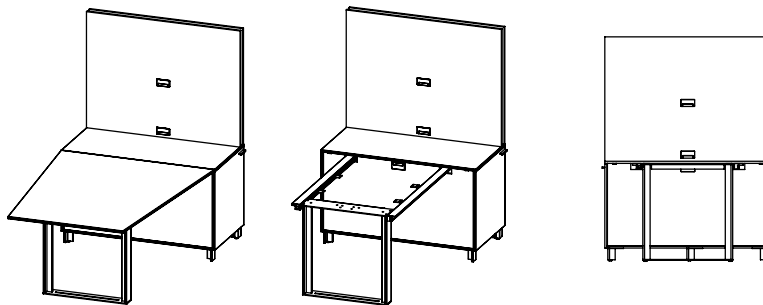
PLATINUM (P) WHITE (W) BLACK (N)

FRAMING COLOR OPTIONS

PLATINUM (P) CHARCOAL (G) WHITE (W) BLACK (N)

MEDIA CENTER

TRAPEZOID SHAPE TABLE 60" WIDTH
THE TABLE AND THE MEDIA STORAGE
ARE MANDATORY.



MODEL	CODE	DIMENSIONS			FINISHES
		Width	Depth	Height	
					8 HPL 13/16"

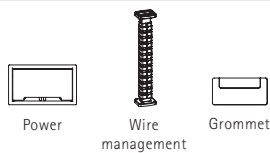
TABLE (mandatory)

60"	Code	Width	Depth	Height	Finishes
	NT**5460Q26*	54	60	26	2395
	NT**6060Q26*	60	60	26	2423
	NT**7260Q26*	72	60	26	2492
	NT**8460Q26*	84	60	26	3269
	NT**9660Q26*	96	60	26	3367
	NT**5460Q29*	54	60	29	2405
	NT**6060Q29*	60	60	29	2434
	NT**7260Q29*	72	60	29	2503
	NT**8460Q29*	84	60	29	3280
	NT**9660Q29*	96	60	29	3378
	NT**5460Q36*	54	60	36	2436
	NT**6060Q36*	60	60	36	2464
	NT**7260Q36*	72	60	36	2533
	NT**8460Q36*	84	60	36	3310
	NT**9660Q36*	96	60	36	3408
	NT**5460Q42*	54	60	42	2453
	NT**6060Q42*	60	60	42	2482
	NT**7260Q42*	72	60	42	2551
	NT**8460Q42*	84	60	42	3328
	NT**9660Q42*	96	60	42	3426

TABLE CODIFICATION

NT	8	E	60	60	Q29	P	-	RP2
Model	Finishes	Color	Length	Width	Legs	Legs color		Options

OPTIONS (see details p. 9-12)



GROMMET COLOR OPTIONS

PLATINUM (P) WHITE (W) BLACK (N)

FRAMING AND LEGS COLOR OPTIONS

PLATINUM (P) CHARCOAL (G) WHITE (W) BLACK (N)

MEDIA CENTER

TRAPEZOID SHAPE TABLE 60" WIDTH
THE TABLE AND THE MEDIA STORAGE
ARE MANDATORY.

MODEL	CODE	DIMENSIONS			FINISHES		
		Width	Depth	Height	*1*8* Chassis and front LPL 5/8" Top HPL 13/16"	*2*8* Chassis LPL 5/8" Top HPL 13/16" Front HPL 11/16"	*5*8* Chassis LPL 5/8" Front Brillante Top HPL 13/16"

MEDIA STORAGE (optional)

60"	MN****602426****	60	24	26	1946	2162	2146
	MN****602429****	60	24	29	2012	2245	2229
	MN****602436****	60	24	36	2146	2429	2429
	MN****602442****	60	24	42	2262	2578	2595

MEDIA STORAGE CODIFICATION

MN	E	1	E	1	E	60	24	29	-	P	P	YP
Model	Chassis Color	Front Finish	Front Color	Top Finish	Top Color	Width	Depth	Height		Legs color	Handle	Grommet

GROMMET COLOR OPTIONS

PLATINUM (YP) WHITE (YW) BLACK (YN)

FRAMING COLOR OPTIONS

PLATINUM (P) CHARCOAL (G) WHITE (W) BLACK (N)

MODEL	CODE	DIMENSIONS		FINISHES		
		Width	Height*	1 LPL 5/8"	2 HPL 11/16"	5 Brillante

MEDIA WALL (optional)

60"	MW**6026*-Y*	60	36	1604	2254	2437
	MW**6029*-Y*	60	36	1644	2293	2476
	MW**6036*-Y*	60	36	1649	2298	2481
	MW**6042*-Y*	60	36	1680	2329	2512

*Dimensions from the top of the storage

MEDIA WALL CODIFICATION

MW	1	E	60	29	P	-	YP
Model	Finishes	Color	Width	Height	Framing		Options

GROMMET COLOR OPTIONS

PLATINUM (P) WHITE (W) BLACK (N)

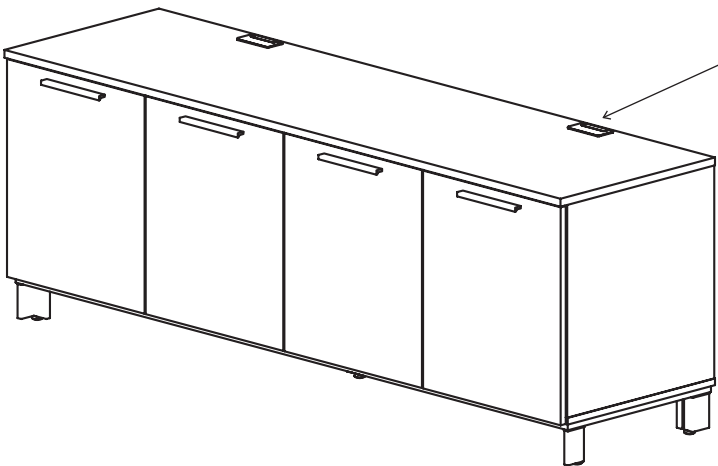
FRAMING COLOR OPTIONS

PLATINUM (P) CHARCOAL (G) WHITE (W) BLACK (N)

STORAGE

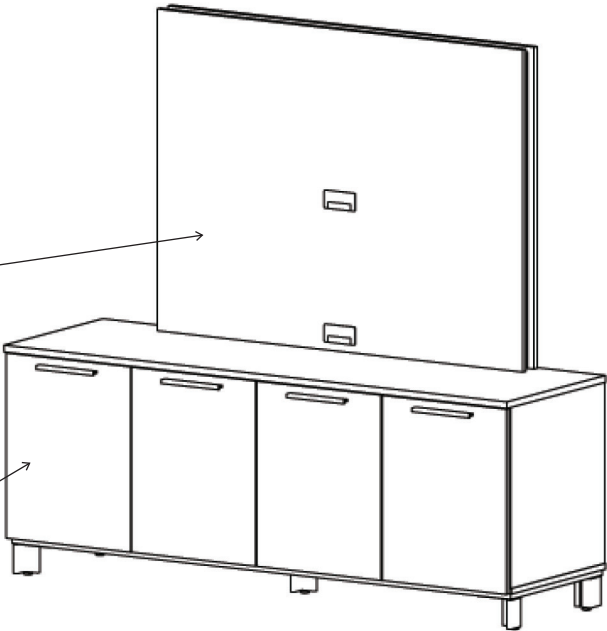
AGORA CREDENZA

The Agora Credenza collection is clean and crisp in its simplicity, and brings a sense of orderliness and professionalism wherever storage is needed. Customize the size, and chose from open shelves, doors, drawers or file drawers. Use Rouillard's self-supporting media wall to design a credenza with a cohesive and seamless look. The steel frame can support a monitor that is up to 60" inches in size. All in all, the Agora Credenza collection will transform and help organize your precious workspace.



Credenza 48" or wider always has wire management holes to integrate optional media wall.

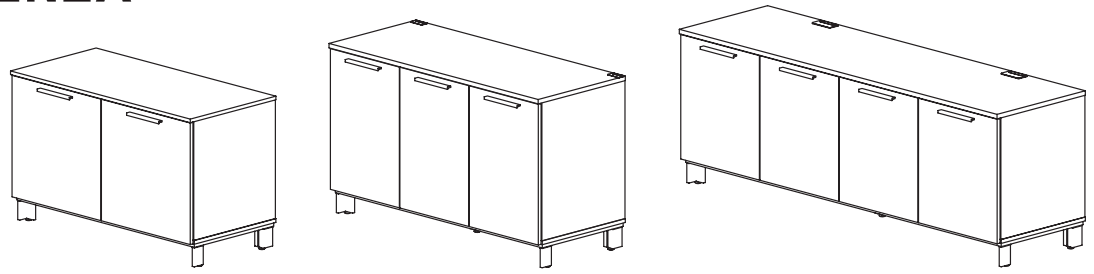
Optional media wall is ideal for meeting room. Can mount up to 60" flat screen with all cabling concealed.



Many configuration possible as finishes.

AGORA CREDENZA

CREDENZA WITH DOORS
OPTIONAL MEDIA WALL



MODEL	CODE	DIMENSIONS			FINISHES					
		Width	Depth	Height	*1*1*	*2*1*	*1*2*	*2*2*	*5*1*	*5*2*
					All LPL 5/8"	Chassis and top LPL 5/8" Front HPL 11/16"	Chassis and front LPL 5/8" Top HPL 11/16"	Chassis LPL 5/8" Front and Top HPL 11/16"	Chassis and top LPL 5/8" Front Brillante	Chassis LPL 5/8" Front Brillante Top HPL

2 DOORS

CA****3020262P-****	30	20	26	1080	1180	1247	1347	1197	1297
CA****3620262P-****	36	20	26	1130	1247	1313	1430	1280	1397
CA****3020292P-****	30	20	29	1147	1247	1313	1413	1280	1380
CA****3620292P-****	36	20	29	1163	1280	1347	1463	1330	1446
CA****3020362P-****	30	20	36	1180	1280	1380	1480	1363	1463
CA****3620362P-****	36	20	36	1263	1363	1480	1580	1480	1580

3 DOORS

CA****4820263P-****	48	20	26	1430	1530	1630	1729	1630	1729
CA****6020263P-****	60	20	26	1546	1663	1779	1896	1796	1913
CA****4820293P-****	48	20	29	1480	1580	1696	1796	1696	1796
CA****6020293P-****	60	20	29	1613	1729	1863	1979	1896	2012
CA****4820363P-****	48	20	36	1596	1713	1846	1962	1879	1996
CA****6020363P-****	60	20	36	1746	1863	2046	2162	2112	2229

4 DOORS

CA****7220264P-****	72	20	26	1763	1879	2029	2146	2062	2179
CA****7220294P-****	72	20	29	1846	1962	2129	2245	2179	2295
CA****7220364P-****	72	20	36	2029	2146	2379	2495	2445	2562

MODEL	CODE	DIMENSIONS		FINISHES		
		Width	Height*	1 LPL 5/8"	2 HPL 11/16"	5 Brillante

MEDIA WALL (optional)

48"	MW**4826*-Y*	48	36	1451	1984	2100
	MW**4829*-Y*	48	36	1464	1997	2113
	MW**4836*-Y*	48	36	1495	2028	2144
	MW**4842*-Y*	48	36	1527	2059	2176

* Height from the top of the storage.

** Media Wall available only on 48" width storage.

STORAGE CODIFICATION

CA	E	1	E	1	E	30	20	26	2P	-	P	P	YP
Model	Chassis Color	Front Finish	Front Color	Top Finish	Top Color	Width	Depth	Height	Front Type	Legs	Handle	Grommet	

GROMMET COLOR OPTIONS

PLATINUM (YP) WHITE (YW) BLACK (YN)

LEG AND FRAMING COLOR OPTIONS

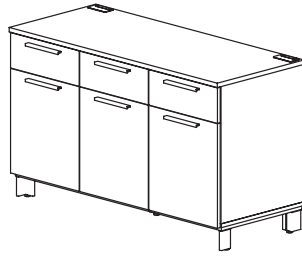
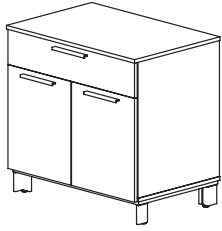
PLATINUM (P) CHARCOAL (G) WHITE (W) BLACK (N)

HANDLE COLOR OPTIONS

ALUMINIUM (P) CHROME (C) WHITE (W) BLACK (N)

AGORA CREDENZA

CREDENZA WITH DOORS AND DRAWERS
OPTIONAL MEDIA WALL



MODEL	CODE	DIMENSIONS			FINISHES					
		Width	Depth	Height	*1*1* All LPL 5/8"	*2*1* Chassis and top LPL 5/8" Front HPL 11/16"	*1*2* Chassis and front LPL 5/8" Top HPL 11/16"	*2*2* Chassis LPL 5/8" Front and Top HPL 11/16"	*5*1* Chassis and top LPL 5/8" Front Brillante	*5*2* Chassis LPL 5/8" Front Brillante Top HPL
2 DOORS - 1 DRAWER										
	CA****3020291T2P-****	30	20	29	1297	1380	1446	1530	1430	1513
	CA****3620291T2P-****	36	20	29	1363	1463	1546	1646	1530	1630
	CA****3020361T2P-****	30	20	36	1363	1463	1546	1646	1530	1630
	CA****3620361T2P-****	36	20	36	1446	1530	1630	1713	1630	1713
3 DOORS - 3 DRAWERS										
	CA****4820293TP-****	48	20	29	1979	2079	2195	2295	2195	2295
	CA****6020293TP-****	60	20	29	2129	2229	2362	2462	2395	2495
	CA****4820363TP-****	48	20	36	2079	2195	2312	2429	2345	2462
	CA****6020363TP-****	60	20	36	2362	2462	2628	2728	2678	2778
4 DOORS - 4 DRAWERS										
	CA****7220294TP-****	72	20	29	2445	2562	2728	2845	2778	2895
	CA****7220364TP-****	72	20	36	2645	2761	2928	3044	2978	3094

MODEL	CODE	DIMENSIONS		FINISHES		
		Width	Height*	1 LPL 5/8"	2 HPL 11/16"	5 Brillante

MEDIA WALL (optional)

48"	MW**4826*-Y*	48	36	1451	1984	2100
	MW**4829*-Y*	48	36	1464	1997	2113
	MW**4836*-Y*	48	36	1495	2028	2144
	MW**4842*-Y*	48	36	1527	2059	2176

* Height from the top of the storage

**Media Wall available only on 48" width storage.

STORAGE CODIFICATION

CA	E	1	E	1	E	30	20	26	1T1P	-	P	P	YP
Model	Chassis Color	Front Finish	Front Color	Top Finish	Top Color	Width	Depth	Height	Front Type		Legs	Handle	Grommet

GROMMET COLOR OPTIONS

PLATINUM (YP) WHITE (YW) BLACK (YN)

LEG AND FRAMING COLOR OPTIONS

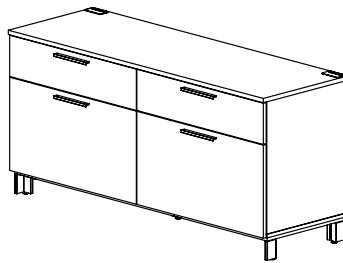
PLATINUM (P) CHARCOAL (G) WHITE (W) BLACK (N)

HANDLE COLOR OPTIONS

ALUMINIUM (P) CHROME (C) WHITE (W) BLACK (N)

AGORA CREDENZA

CREDENZA WITH DRAWERS
OPTIONAL MEDIA WALL



MODEL	CODE	DIMENSIONS			FINISHES					
		Width	Depth	Height	*1*1*	*2*1*	*1*2*	*2*2*	*5*1*	*5*2*
					All LPL 5/8"	Chassis and top LPL 5/8" Front HPL 11/16"	Chassis and front LPL 5/8" Top HPL 11/16"	Chassis LPL 5/8" Front and Top HPL 11/16"	Chassis and top LPL 5/8" Front Brillante	Chassis LPL 5/8" Front Brillante Top HPL

2 DRAWERS

CA****1820262T-****	18	20	26	1087	1146	1225	1283	1185	1264
CA****1820292T-****	18	20	29	1146	1205	1283	1342	1244	1322
KS****1820262T-R***	18	20	26	1067	1126	1204	1263	1165	1244
KS****1820292T-R***	18	20	29	1126	1185	1263	1322	1224	1302

4 DRAWERS

CA****4820262T2T-****	48	20	26	1913	1932	2108	2206	2108	2206
CA****4820292T2T-****	48	20	29	1991	2030	2206	2304	2206	2304
CA****6020262T2T-****	60	20	26	2030	2128	2245	2343	2285	2383
CA****6020292T2T-****	60	20	29	2128	2245	2363	2461	2402	2500

MODEL	CODE	DIMENSIONS		FINISHES		
		Width	Height*	1	2	5
				LPL 5/8"	HPL 11/16"	Brillante

MEDIA WALL (optional)

48"	MW**4826*-Y*	48	36	1451	1984	2100
	MW**4829*-Y*	48	36	1464	1997	2113
	MW**4836*-Y*	48	36	1495	2028	2144
	MW**4842*-Y*	48	36	1527	2059	2176

*Height from the top of the storage.

**Media Wall available only on 48" width storage.

STORAGE CODIFICATION

CA	E	1	E	1	E	30	20	26	2T	-	P	P	YP
Model	Chassis Color	Front Finish	Front Color	Top Finish	Top Color	Width	Depth	Height	Front Type		Legs	Handle	Grommet

GROMMET COLOR OPTIONS

PLATINUM (YP) WHITE (YW) BLACK (YN)

LEG AND FRAMING COLOR OPTIONS

PLATINUM (P) CHARCOAL (G) WHITE (W) BLACK (N)

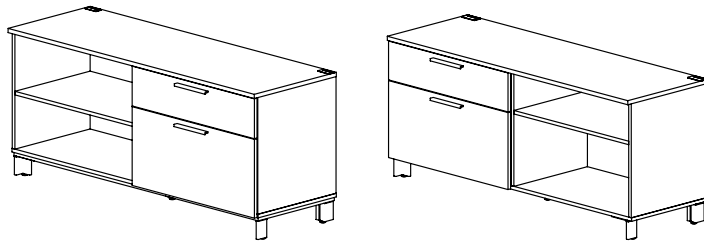
HANDLE COLOR OPTIONS

ALUMINIUM (P) CHROME (C) WHITE (W) BLACK (N)

AGORA CREDENZA

CREDENZA WITH DRAWERS AND BOOKCASES

OPTIONAL MEDIA WALL



MODEL	CODE	DIMENSIONS			FINISHES					
		Width	Depth	Height	*1*1*	*2*1*	*1*2*	*2*2*	*5*1*	*5*2*
					All LPL 5/8"	Chassis and top LPL 5/8" Front HPL 11/16"	Chassis and front LPL 5/8" Top HPL 11/16"	Chassis LPL 5/8" Front and Top HPL 11/16"	Chassis and top LPL 5/8" Front Brillante	Chassis LPL 5/8" Front Brillante Top HPL

2 DRAWERS - 1 BOOKCASE

CA****4820262T1N-****	48	20	26	1580	1717	1795	1913	1775	1893
CA****4820292T1N-****	48	20	29	1619	1815	1893	2010	1873	1991
CA****6020262T1N-****	60	20	26	1756	1893	1991	2128	1971	2108
CA****6020292T1N-****	60	20	29	1854	2010	2108	2265	2089	2245

1 BOOKCASE - 2 DRAWERS

CA****4820261N2T-****	48	20	26	1580	1717	1795	1913	1775	1893
CA****4820291N2T-****	48	20	29	1619	1815	1893	2010	1873	1991
CA****6020261N2T-****	60	20	26	1756	1893	1991	2128	1971	2108
CA****6020291N2T-****	60	20	29	1854	2010	2108	2265	2089	2245

STORAGE CODIFICATION

CA	E	1	E	1	E	30	20	26	2T1N	-	P	P	YP
Model	Chassis Color	Front Finish	Front Color	Top Finish	Top Color	Width	Depth	Height	Front Type		Legs	Handle	Grommet

GROMMET COLOR OPTIONS

PLATINUM (YP) WHITE (YW) BLACK (YN)

LEG COLOR OPTIONS

PLATINUM (P) CHARCOAL (G) WHITE (W) BLACK (N)

HANDLE COLOR OPTIONS

ALUMINIUM (P) CHROME (C) WHITE (W) BLACK (N)

TERMS AND CONDITIONS OF SALE

PRICES

All prices are subject to change without notice. Invoiced prices are based on current list prices at the time of order entry. List prices do not include taxes, storage, insurance charges or installation.

TERMS

Conditions of payment are 1 %, 10 days and net 30 days. Delinquent accounts are subject to a 1.5 % per month charge or the largest amount permitted by law, whichever is less. Rouillard reserves the right to delay or cancel any shipment for delinquent accounts as well as refuse any order from a dealer whose account is delinquent. Where credit terms have not been established, payment in full must be received at time of order placement.

ORDER CONFIRMATION

All orders are confirmed by Rouillard with an acknowledgment prior to production. Rouillard manufactures delivers and invoices based on the information on the Order Confirmation. The Order Confirmation, together with these Terms and Conditions, is intended as a complete, exclusive and final statement of the terms and conditions of agreement between Rouillard and the purchaser.

ORDER PLACEMENT

Rouillard requires all orders to be in writing to avoid any error or duplications. Telephone or verbal orders are not accepted.

CHANGE AND/OR CANCELLATION of orders may not be changed or cancelled by the purchaser without the written consent of Rouillard. A cancellation or restocking charge, up to the total value of the order is applicable on orders being cancelled or changed.

SHIPMENT DEFFERAL AND STORAGE

If you or your customer is unwilling or unable to accept delivery when the order is ready for shipment, Rouillard will transfer the product to storage. If the customer does not designate a storage site, Rouillard will transfer the goods to an appropriate location. Upon transferring to storage, goods are deemed to be delivered and we reserve the right to invoice as of that date and to store merchandise at the client's. The dealer will be billed for storage of the product.

DAMAGE RESPONSIBILITY

Rouillard inspects all goods and packaging at the factory, before shipping. The responsibility of Rouillard regarding damage stops when goods are loaded in the carrier vehicle and title is passed to the purchaser at that time.

SHIPMENT DAMAGE CLAIMS

All Rouillard's products are carefully inspected prior to shipping and are packaged according to ISO 9001: 2000 standards. Rouillard is not responsible for damage to goods which may occur in transit or storage.

Any damage or shortage must be noted on the bill of lading and it is the purchaser's responsibility to inform Rouillard. The receiver does not have the right to refuse receipt of the goods as title has already been changed. All packaging must be retained and available for inspection and the goods must be left at the original delivery point. Carrier liability ceases after 5 working days and neither Rouillard nor the carrier will be responsible for concealed damage if shipments are left unopened.

MISCELLANEOUS CLAIMS

Claims against Rouillard, other than valid warranty claims, must be made in writing, within 5 days after delivery. Failure to make a written claim against Rouillard within 5 working days will constitute acceptance of the goods and a waiver of any shortage, errors or other claims.

WARRANTY

Rouillard warrants all products for 10 years with exception of fabric and leather (that are 1 year), 5 years for gas cylinder, plastic components, tables, armrest, 24 / Plus Collection chairs. Rouillard will repair any defect which occurred in production; replace any faulty parts or components with comparable product and correct any flaw resulting from normal use of the product, free of charge. This warranty does not apply to damage made in shipment or storage or resulting from accident, misuse, alteration, tampering, negligence abuse or use in severe weather conditions. The modification alteration or substitution of component, assemblies or any product other than those supplied by Rouillard, without prior written authorization from Rouillard, shall void this warranty.

TERMS AND CONDITIONS OF SALE

This warranty is the customer's sole remedy for products defect and Rouillard will not consider any other agreement that could be used as a warranty or as an interpretation of Rouillard's warranty. This warranty does not apply to incidental, economic or exemplary damage arising from any product defect.

To obtain benefit of this warranty, a written claim must be made to Rouillard, including description of the merchandise, claimed defect, and proof of delivery.

RETURNS

No return of goods will be accepted without written consent must have a RGA # and shipping instructions from Rouillard. Approved returns, for reasons other than valid warranty claims, will be subject to shipping, handling and substantial restocking and restoration charges.

OPTIONS AND SPECIFICATIONS

Specifications and options are subject to change without prior notice.

GOVERNING LAW

All orders and purchases of Rouillard's products shall be governed in all respect by the laws of the Province of Quebec.

OFFICE AND FACTORY

Les Industries Rouillard Inc.
363, boul. des Chutes
Québec (Québec) Canada
G1E 3G1

Telephone : **1 418 663-1411**
1 855 459-1954
Fax : 1 418 666-9619
Web Site : www.rouillard.ca
E-Mail : info@rouillard.ca

ORDER

order.entry@rouillard.ca

SOCIAL MEDIA



ROUILLARD