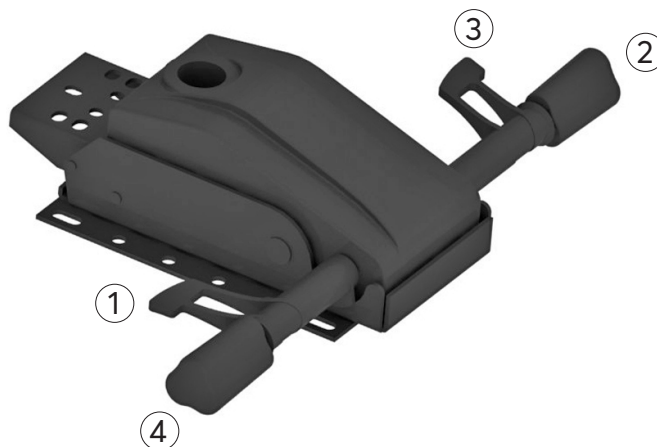


- ① Seat slider
- ② Tension adjustment
- ③ Pneumatic height (cylinder)
- ④ Infinite backrest and seat tilt-lock

DISPONIBLE SUR:

- FX
- X2
- Rivo
- Lead
- Spyder



To adjust the chair properly, follow these steps:

**Backrest high adjustment** (LEAD & SPYDER only) - Adjust the backrest height by lifting it. Each «click» is a predefined position. To lower the backrest, lift it at the highest and let it drop. This allows you to position the lumbar support at the right position.

**Backrest and seat angle adjustment** - Unlock the synchronized motion by turning handle #4. If the movement is too difficult or too easy, turn the handle #2 in the appropriate direction to adjust the tension. When the chair is in the desired position, turn the handle #4 again to lock the position.

**Seat high adjustment** - Adjust the chair height by lifting handle #3. Choose a height that will allow your feet to lean on the floor and your knees to clear the seat to avoid constant pressure on your knees.

**Seat depth adjustment** - Keep the handle #1 lifted up and slide the seat to adjust the depth.