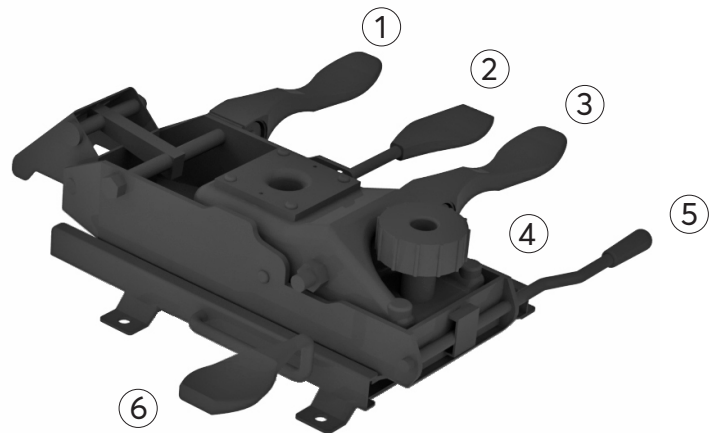


Multifunction Intensive Use (24h et 250 lbs to 350 lbs)
Heavy duty mechanism blades

- ① Backrest angle
- ② Pneumatic height (cylinder)
- ③ Infinite seat tilt-lock
- ④ Tension adjustment
- ⑤ Negative forward angle
- ⑥ Seat slider



AVAILABLE ON:

- Urbex 24
- Generation 24

To adjust the chair properly, follow these steps:

Backrest high adjustment - Adjust the backrest height by lifting it. Each «click» is a predefined position. To lower the backrest, lift it at the highest and let it drop. This allows you to position the lumbar support at the right position.

Mechanism tension - Turn the roulette #4 to adjust the mechanism tension of the chair.

Angle of the seat - Lift up the handle #3 to unlock the seat and adjust the angle. Position the seat in a slightly backward angle to make sure that your back and your bottom are well positioned on the chair.

Angle of the backrest - Push on the button #1 to adjust the angle of the backrest. Optez pour un angle de dossier qui permet à votre dos d'être appuyer et bien soutenu par celui-ci.

Seat high adjustment - Adjust the chair height by lifting handle #2. Choose a height that will allow your feet to lean on the floor and your knees to clear the seat to avoid constant pressure on your knees.

Seat depth adjustment - Keep the handle #6 lifted up and slide the seat to adjust the depth.

Angle of the seat - To tilt the seat forward, lift the handle #5.