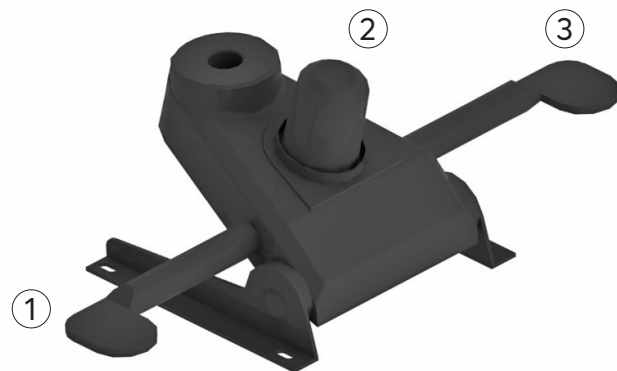


- ① Infinite backrest and seat 5 positions tilt lock
- ② Tension adjustment
- ③ Pneumatic height (cylinder)

AVAILABLE ON:

- Lead
- Lead Express
- Classic
- Rivo
- FX
- X2



To adjust the chair properly, follow these steps:

Backrest high adjustment (LEAD & SPYDER only) - Adjust the backrest height by lifting it. Each «click» is a predefined position. To lower the backrest, lift it at the highest and let it drop. This allows you to position the lumbar support at the right position.

Backrest and seat angle adjustment - Unlock the synchronized motion by lifting handle #1. If the movement is too difficult or too easy, turn the handle #2 in the appropriate direction to adjust the tension. When the chair is in the desired position, turn the handle #1 again to lock the position.

Seat high adjustment - Adjust the chair height by lifting handle #3. Choose a height that will allow your feet to lean on the floor and your knees to clear the seat to avoid constant pressure on your knees.

Mechanism tension - Turn the roulette #2 to adjust the mechanism tension of the chair.