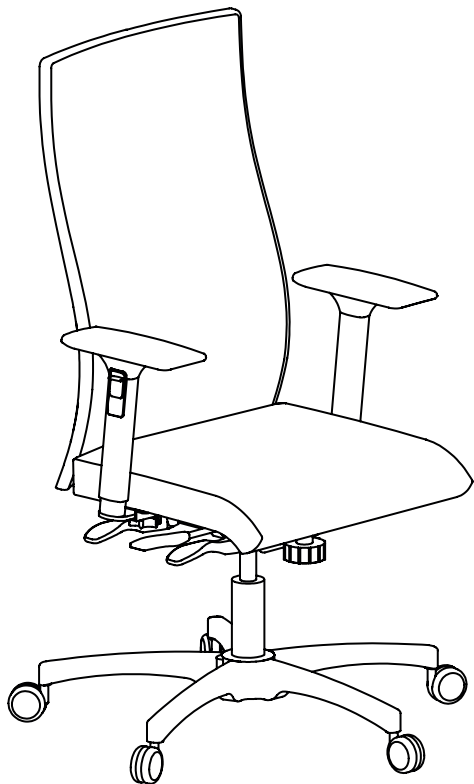
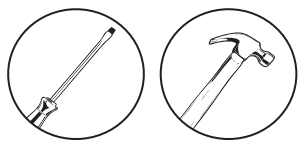


# LEAD

LL90NMPFG  
MULTITASK CHAIR

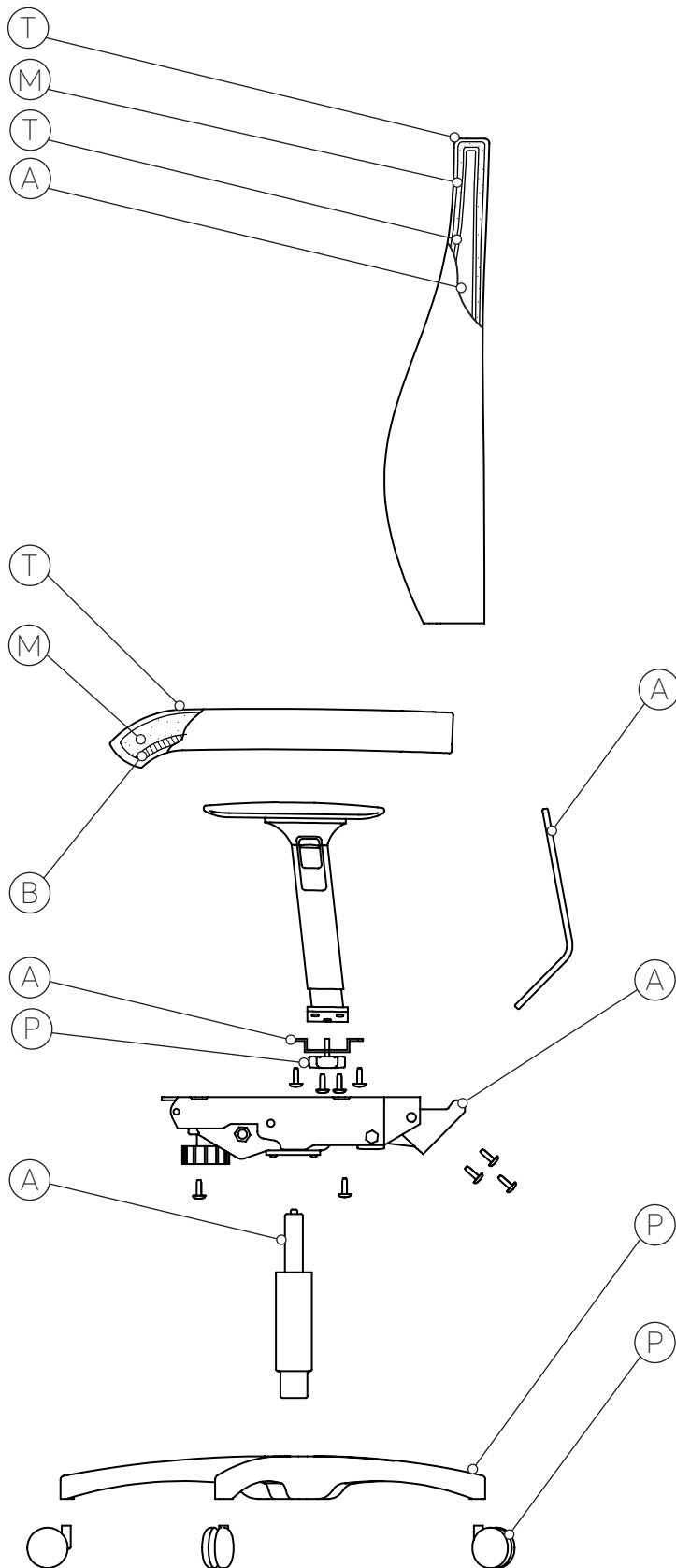


- (A) STEEL 
- (B) WOOD
- (M) FOAM
- (P) PLASTIC 
- (T) FABRIC / VINYL / LEATHER



## ROUILLARD

363 boul. des Chutes Québec  
(Québec) Canada G1E 3G1  
418 663-1411 | 1 800 661-1411  
www.rouillard.ca



# TASK CHAIR

LEAD represents this category due to the following reasons:

- Contains a majority of components, which are common to Rouillard task seating
- Has a structural body and material mix that is common among the task series and allows flexibility and interchangeability among components
- Is one of the top task chair sellers.
- In general, our task chairs share similar characteristics in terms of appearance, functionality and material mix . They can be customized by selecting different types of upholstery materials / options, backrest sizes, seat cushion sizes, mechanisms or bases. Please refer to our online catalog for all options available .

PRODUCT NAME	PRIMARY CONSTRUCTION TYPE
LEAD	Backrest : Tubular steel frame, Seat: Upholstered curved plywood, Caster base, Gas cylinder, Armrest made of plastic and steel.
LEAD X	Backrest : Tubular steel frame, Seat: Upholstered curved plywood, Caster base, Gas cylinder, Armrest made of plastic and steel.
CLASSIC	Backrest and seat: Upholstered curved plywood, Caster base, Gas cylinder, Armrest made of plastic and steel.
FX	Backrest: Injected plastic frame, Seat: Upholstered curved plywood, Caster base, Gas cylinder, Armrest made of plastic and steel.
RIVO	Backrest : Tubular steel frame, Seat: Upholstered curved plywood, Caster base, Gas cylinder, Armrest made of plastic and steel.
SPYDER	Backrest and back: Upholstered curved plywood, Caster base, Gas cylinder, Armrest made of plastic and steel.
URBEX	Backrest : Tubular steel frame, Seat: Upholstered curved plywood, Caster base, Gas cylinder, Armrest made of plastic and steel.
X2	Backrest: Injected plastic frame, Seat: Upholstered curved plywood, Caster base, Gas cylinder, Armrest made of plastic and steel.
FLAIR	Backrest : Tubular steel frame, Seat: Upholstered curved plywood, Caster base, Gas cylinder, Armrest made of plastic and steel.

PRODUCT NAME	PRIMARY CONSTRUCTION TYPE
TWIX	Backrest: Upholstered curved plywood, Seat: Upholstered MDF Structure, Caster base, Gas cylinder
FLAIR	Backrest : Tubular steel frame, Seat: Upholstered curved plywood, Caster base, Gas cylinder, Armrest made of plastic and steel.
24&PLUS	Backrest : Tubular steel frame, Seat: Upholstered curved plywood, Caster base, Gas cylinder, Armrest made of plastic and steel.

Please note, that each product series has different product model codes due to configurability of parts and therefore the total number of products within each series can vary.

## **ROUILLARD**

363 boul. des Chutes Québec  
(Québec) Canada G1E 3G1  
418 663-1411 | 1 800 661-1411  
[www.rouillard.ca](http://www.rouillard.ca)