

**ROUILLARD**

WORKPLACE SAVOIR-FAIRE

**STATE OF GEORGIA  
CONTRACT**

**PRICE LIST JANUARY 2025**

99999-001-SPD0000198

# TABLE OF CONTENTS

## BY APPLICATION

Ergonomics .....	3
Mechanisms .....	4
Armrests .....	5

## ARMLESS

Vibe .....	7
Dextra .....	9
Zetti .....	11

## CONFERENCE

Lead X .....	14
Classic .....	17

## EXECUTIVE

Rivo .....	21
Lead .....	24
Lead X .....	27
Classic .....	29

## MID BACK

FX .....	32
Rivo .....	34
Lead X .....	36
Classic .....	38

## LOW BACK

Lead side .....	42
Ely .....	45

## LOUNGE

Campus .....	48
Zetti .....	50
Bily .....	52
Coast .....	54
Blok .....	56
Geo .....	58
Eva Flow .....	60

## SIDE

Dextra .....	63
Ely .....	66

## STACKABLE

Vibe .....	69
Dextra .....	71

## TASK

Lead X .....	74
FX .....	77

## BENCHES

Blok .....	80
Zetti .....	82

## STOOL

Dextra .....	85
--------------	----

# FEATURES OF A GOOD ERGONOMIC CHAIR

In addition to being comfortable, a good ergonomic chair should come with various standard adjustments to adapt to different body types.

## SEAT HEIGHT:

- Should be easily adjustable using a pneumatic adjustment lever.
- Should allow the user to comfortably rest his feet flat on the floor, keep his thighs horizontal and his forearms at the same height as the work surface or desk top without having to raise his shoulders.

## SEAT WIDTH AND DEPTH:

- The seat should be sufficiently wide and deep to comfortably support the user.
- An optional seat slider may be offered to adjust the depth of the chair seat.
- The front of the seat should be curved downward to create a space between the back of the knees and the seat.

## SEAT ANGLE:

- This option allows to adjust the seat angle in proportion with the backrest angle.

## LUMBAR SUPPORT:

- The backrest must provide comfortable support for the lower back.

## BACKREST CURVE, HEIGHT AND ANGLE:

- The backrest curve should hug the natural curve of the spine.
- The backrest angle and height should be adjustable when the backrest is not attached directly to the seat (one piece seat and back).

## ARMRESTS:

- Armrest height should be adjustable to support elbows and forearms so that the user does not have to lower or raise his shoulders (which should remain relaxed).
- Should be cushioned for better comfort and not interfere with the work surface.
- Their width and depth may be adjustable and may swivel.

## CHAIR SWIVEL:

- To allow the user to reach different parts of his work space without having to stretch or get up.

## QUALITY MATERIAL:

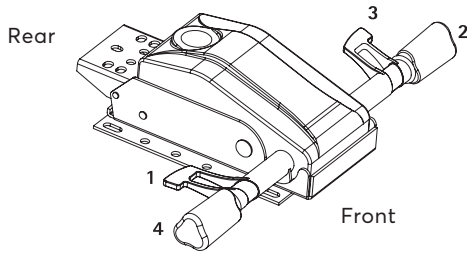
- Sufficiently dense and thick foam to provide optimal comfort for extended periods.
- Quality covering material that allows air flow between the chair and the user.
- Solid, sturdy structure that provides stable support for the user.



# MECHANISMS

## SYNCHRO-TILT MECHANISM

PZ

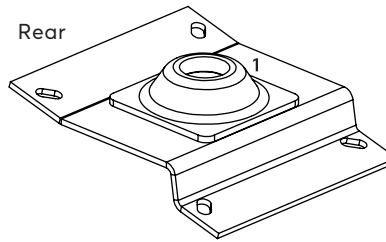


1. Seat slider
2. Tension adjustment
3. Pneumatic height (cylinder)
4. Infinite Backrest and seat  
4 positions tilt-lock

AVAILABLE ON:  
- FX  
- Lead  
- Rivo

## LOUNGE MECHANISM

P4

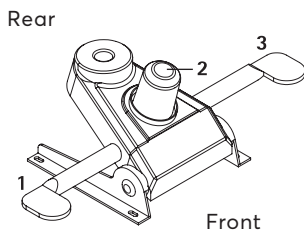


1. Swivel-tilt (autoreturn)

AVAILABLE ON:  
- Classic

## KNEE-TILT MECHANISM

PD

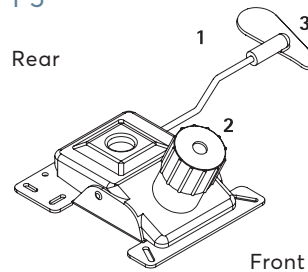


1. Infinite backrest and seat  
5 positions tilt lock
2. Tension adjustment
3. Pneumatic height (cylinder)

AVAILABLE ON:  
- Classic  
- FX  
- Lead  
- Lead X  
- Rivo

## CONFERENCE MECHANISM

P5

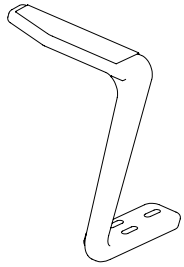


1. Pneumatic height (cylinder)
2. Tension adjustment
3. Vertical seat tilt lock

AVAILABLE ON:  
- Dextra  
- Link  
- FX  
- Lead  
- Ely  
- Rivo  
- Lead X

# ARMRESTS

A



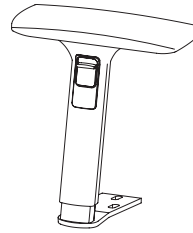
DESCRIPTION :

- Fixed armrest with urethane surface

AVAILABLE ON :

- FX
- Lead X
- Lead

M



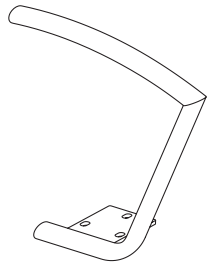
DESCRIPTION :

- Urethane armrest
- Height and width adjustable
- Inward/outward armrest swivel
- Back/front adjustable

AVAILABLE ON :

- FX
- Rivo
- Lead
- Lead X

W



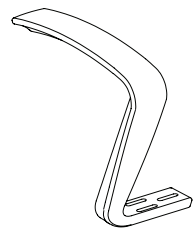
DESCRIPTION :

- Fixed armrest
- Available : Black - chrome

AVAILABLE ON :

- Classic
- Urbex
- FX
- Lead
- Lead X
- Rivo

P



DESCRIPTION :

- Fixed urethane armrest

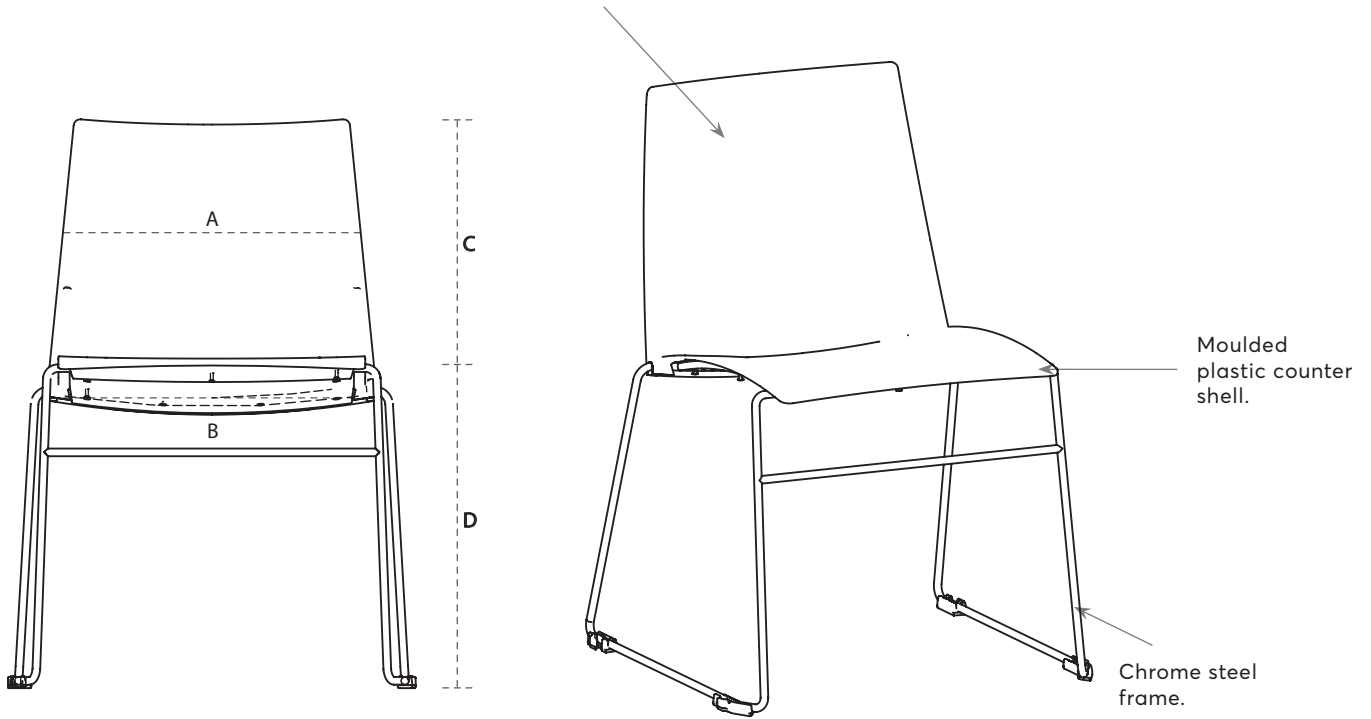
AVAILABLE ON :

- FX
- Lead
- Lead X
- Spyder

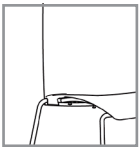
## **C-23 SEATING:**

ARMLESS CHAIRS

Durable and comfortable plastic backrest and seat, many colors available.

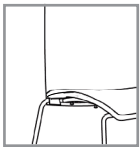


VP



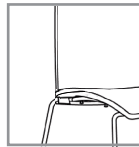
Plastic backrest and seat

VE



Plastic backrest, upholstered seat

VU



Upholstered backrest and seat

### DIMENSIONS (inches)

	A Backrest width	B Seat width	C Backrest height from seat	D Seat height from floor	E Functional seat depth	F Overall depth	Fabric (yds)	Leather (ft <sup>2</sup> )	Weight (lbs)	Cubic (ft <sup>3</sup> )
VP*20 / 21	17	17	16	18	17	21½	N/A	N/A	8	11,05
VE*20 / 21	17	17	16	18	17	21½	0,75	15	8	11,05
VU20	17	17	16	18	17	21½	1,15	22	8	11,05

# VIBE

## ARMLESS CHAIR



VP20



VP21

MODEL	CODE	LIST PRICE / Grade A	Dock Delivery	Inside Delivery	Delivered & Installed
			<b>53%</b>	<b>50%</b>	<b>46%</b>
<b>Plastic seat &amp; backrest (VP)</b>					
Sled base	VP*20C	534.00	250.98	267.00	288.36
4 legs	VP*21C	633.00	297.51	316.50	341.82
<b>Upholstered seat and plastic back (VE)</b>					
Sled base	VE*20C	732.00	344.04	366.00	395.28
4 legs	VE*21C	791.00	371.77	395.50	427.14
<b>Upholstered seat &amp; backrest (VU)</b>					
Sled base	VU*20C	760.00	357.20.77	380.00	410.40

## OPTIONS

### OTHERS



**B**  
White backrest  
and seat



**R**  
Red backrest  
and seat



**F**  
Charcoal  
backrest and  
seat



**N**  
Black backrest  
and seat

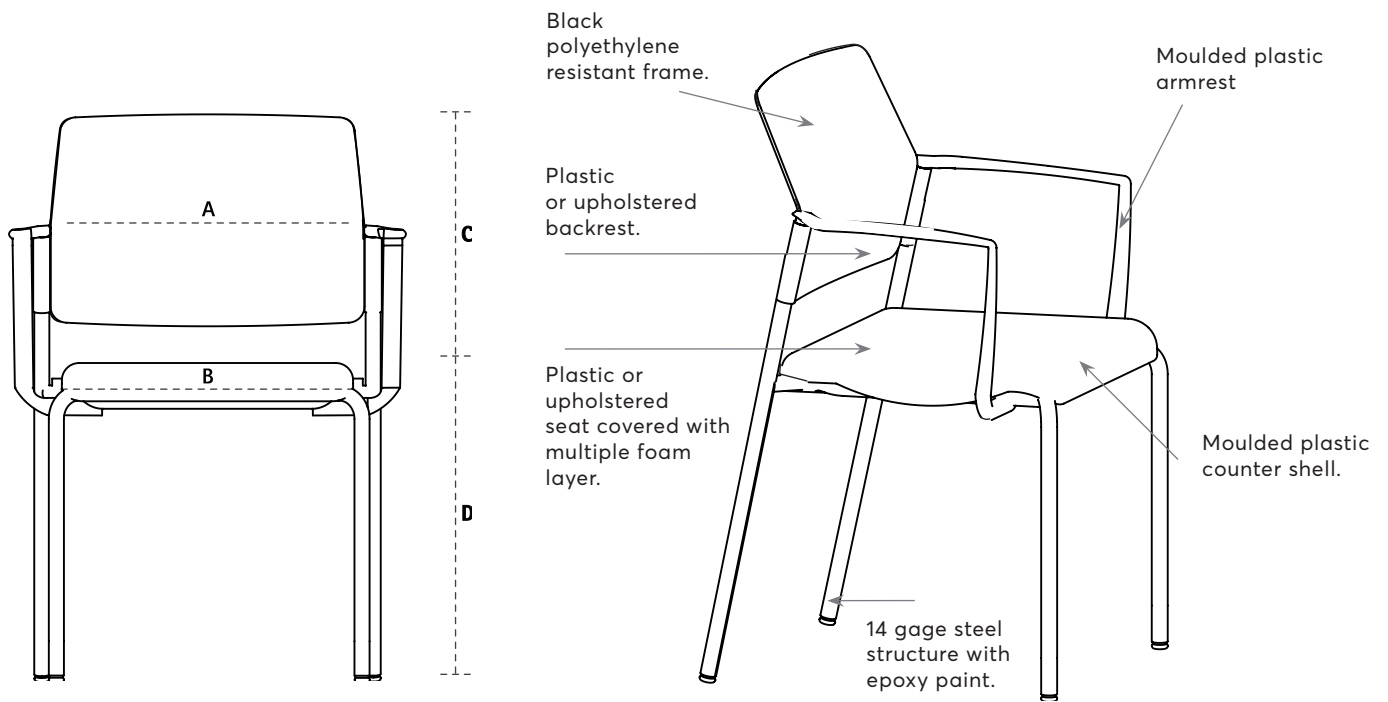
### CODIFICATION

VP	N	20	C	Grade A
Serie	Plastic color	Model	Base color	Fabric

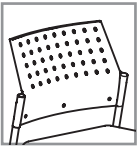


# DEXTRA

## ARMLESS CHAIR

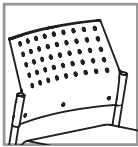


**DP**



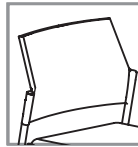
Plastic backrest and seat

**DE**



Plastic backrest, upholstered seat

**DR**



Upholstered backrest and seat

### DIMENSIONS (inches)

	<b>A</b> Backrest width	<b>B</b> Seat width	<b>C</b> Backrest height from seat	<b>D</b> Seat height from floor	<b>E</b> Functional seat depth	<b>F</b> Overall depth	Fabric (yds)	Leather (ft <sup>2</sup> )	Weight (lbs)	Cubic (ft <sup>3</sup> )
DE/DP/DR20	17	17 1/2	15 1/2	18	16	21	0.70	14	20	11.05
DE/DP/DR21	17	17 1/2	15 1/2	18	16	21	0.70	14	20	11.05

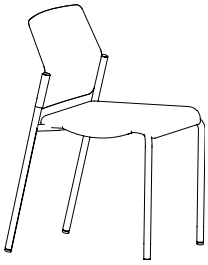
\* For all the models DR upholstered seat-backrest, the quantity of fabric is higher.

0,95

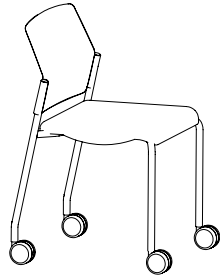
18

# DEXTRA

## ARMLESS CHAIR



**DR20**



**DR21**

MODEL	CODE	LIST PRICE / Grade A	Dock Delivery	Inside Delivery	Delivered & Installed
			<b>53%</b>	<b>50%</b>	<b>46%</b>
<b>Upholstered backrest and seat (DR)</b>					
<b>DR20*</b> 4 legs	DR20*	512.00	240.64	256.00	276.48
<b>DR21*</b> On casters	DR21*	578.00	271.66	289.00	312.12
On casters	DR21*-SW	603.00	283.41	301.50	325.62
<b>Plastic backrest and upholstered seat (DE)</b>					
<b>DE20*</b> 4 legs	DE20*	467.00	219.49	233.50	252.18
<b>DE21*</b> On casters	DE21*	533.00	250.51	266.50	287.82
On casters	DE21*-SW	558.00	262.26	279.00	301.32
<b>Plastic backrest and seat (DP)</b>					
<b>DP20*</b> 4 legs	DP20*	406.00	190.82	203.00	219.24
<b>DP21*</b> On casters	DP21*	474.00	222.78	237.00	255.96
On casters	DP21*-SW	499.00	234.53	249.50	269.46

## OPTIONS

### OTHERS



**P**  
Four legged  
platinum base



**N**  
Four legged  
black base



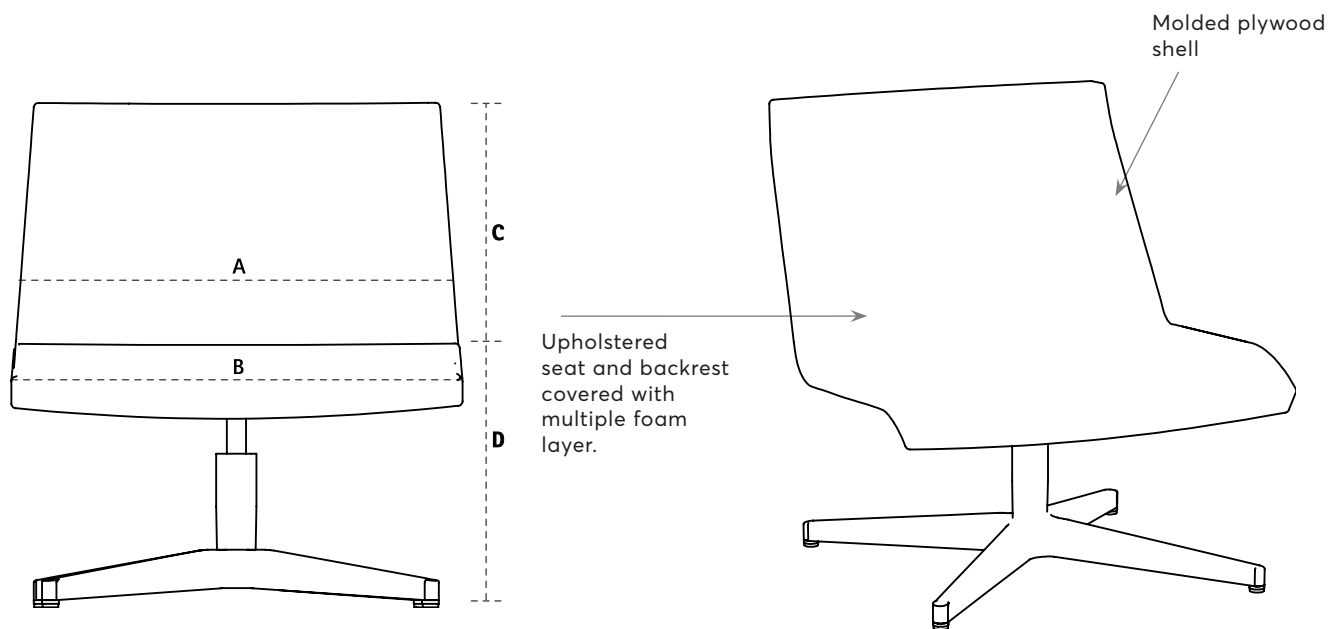
**SW**  
Hard floor caster



**-**  
Carpet caster

### CODIFICATION

<b>DE20</b>	<b>N</b>	<b>SW</b>	<b>Grade A</b>
Model	Base color	Option	Fabric



### DIMENSIONS (inches)

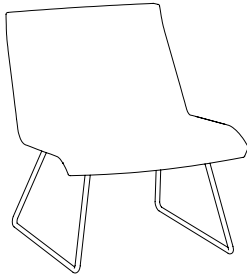
	A Backrest width	B Seat width	C Backrest height from seat	D Seat height from floor	E Functional seat depth	F Overall depth	Fabric (yds)	Leather (ft <sup>2</sup> )
FA43	22	24	16	17 1/2	18	25	1.50	28
FA45	22	24	16	16 1/2	18	25	1.50	28

# ZETTI

## ARMLESS CHAIR



FA43

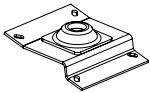


FA45

MODEL	CODE	MECHANISM	LIST PRICE / Grade A	Dock Delivery	Inside Delivery	Delivered & Installed
				53%	50%	46%
<b>4 star base</b>						
No arms	FA43*	Swivel	1355.00	636.85	677.50	731.70
<b>Sled base</b>						
No arms	FA45N	-	1220.00	573.40	610.00	658.80

## OPTIONS

### MECHANISMS (SEE P. 4-5)



**P4**  
Lounge

### BASE



**B**  
White base  
(FA43 only)



**N**  
Black base

### CODIFICATION

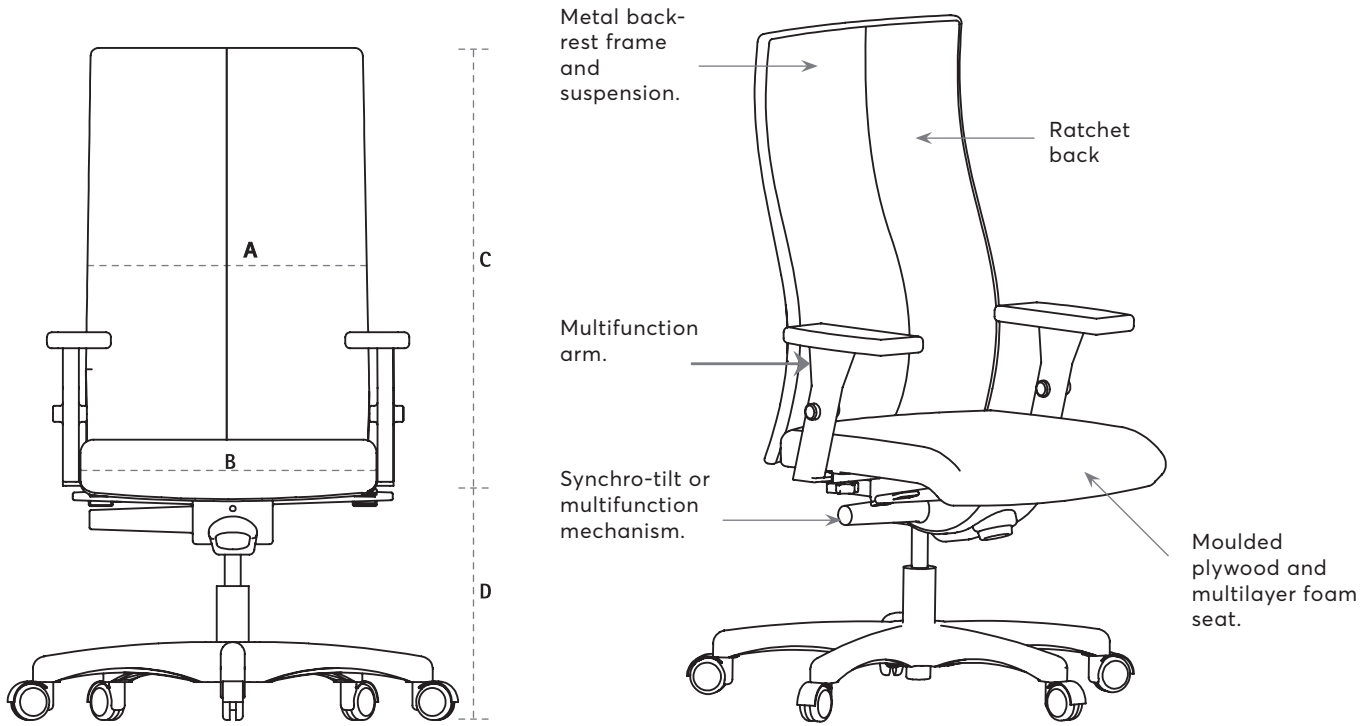
<b>FA43</b>	<b>C</b>	<b>P4</b>	<b>Grade A</b>
Model	Base color	Mechanism	Fabric

## **C-23 SEATING:**

CONFERENCE ROOM CHAIRS

# LEAD X

CONFERENCE ROOM

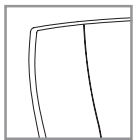


SF



Mesh backrest

SL



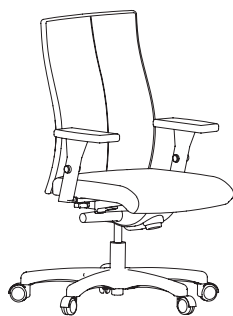
Slim backrest

## DIMENSIONS (inches)

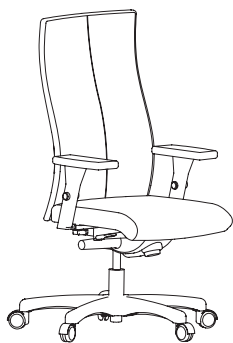
	A Backrest width	B Seat width	C Backrest height from seat	D Seat height from floor	E Functional seat depth	F Overall depth	Fabric (yds)	Leather (ft <sup>2</sup> )	Weight (lbs)	Cubic (ft <sup>3</sup> )
SF/SL50	18	18 1/2	19 1/2 - 22	17 - 20 1/2	17 1/2	26	1.40	26	49	16.77
SF/SL90	18	18 1/2	23 1/2 - 26	17 - 20 1/2	17 1/2	26 1.45	28	52	21.83	13.51

\*\* For the mesh back model, less fabric is needed.

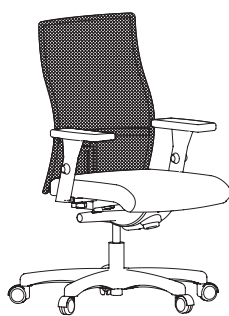
SF*	0.70	14
-----	------	----



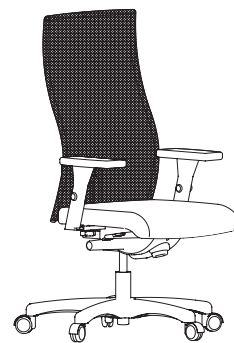
**SL50**



**SL90**



**SF50**



**SF90**

MODEL	CODE	MECHANISM	LIST PRICE / Grade A	Dock Delivery	Inside Delivery	Delivered & Installed
				<b>53%</b>	<b>50%</b>	<b>46%</b>
<b>SLIM - Mid-back</b>						
<b>SL50</b>						
6N arms	SL50N6NP5	Swivel-tilt	957.00	449.79	478.50	516.78
6N arms	SL50N6NP5-SW	Swivel-tilt	982.00	461.54	491.00	530.28
WN arms	SL50NWNP5	Swivel-tilt	970.00	455.90	485.00	523.80
WN arms	SL50NWNP5-SW	Swivel-tilt	995.00	467.65	497.50	537.30
<b>SLIM - Intermediate-back</b>						
<b>SL90</b>						
6N arms	SL90N6NP5	Swivel-tilt	970.00	455.90	485.00	523.80
6N arms	SL90N6NP5-SW	Swivel-tilt	995.00	467.65	497.50	537.30
WN arms	SL90NWNP5	Swivel-tilt	983.00	462.01	491.50	530.82
WN arms	SL90NWNP5-SW	Swivel-tilt	1008.00	473.76	504.00	544.32
<b>MESH - Mid-back</b>						
<b>SF50</b>						
6N arms	SF50N6NP5	Swivel-tilt	920.00	432.40	460.00	496.80
6N arms	SF50N6NP5-SW	Swivel-tilt	945.00	444.15	472.50	510.30
<b>MESH - Intermediate-back</b>						
<b>SF90</b>						
WN arms	SF90NWNP5	Swivel-tilt	950.00	446.50	475.00	513.00
WN arms	SF90NWNP5-SW	Swivel-tilt	975.00	458.25	487.50	526.50

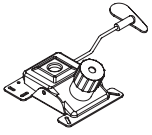
# LEAD X

## CONFERENCE ROOM

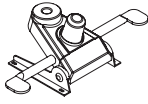
### OPTIONS

#### MECHANISMS (SEE P. 4-5)

---



**P5**  
Swivel-tilt



**PD**  
Knee-tilt

#### FIXED ARM (SEE P. 6-7)

---



**W**  
WN: black  
WC: chrome



**6**  
6N: black  
6C: chrome

#### BASE

---



**N**  
Black base



**SW**  
Hard floor  
caster



**-**  
Carpet  
caster

#### CODIFICATION

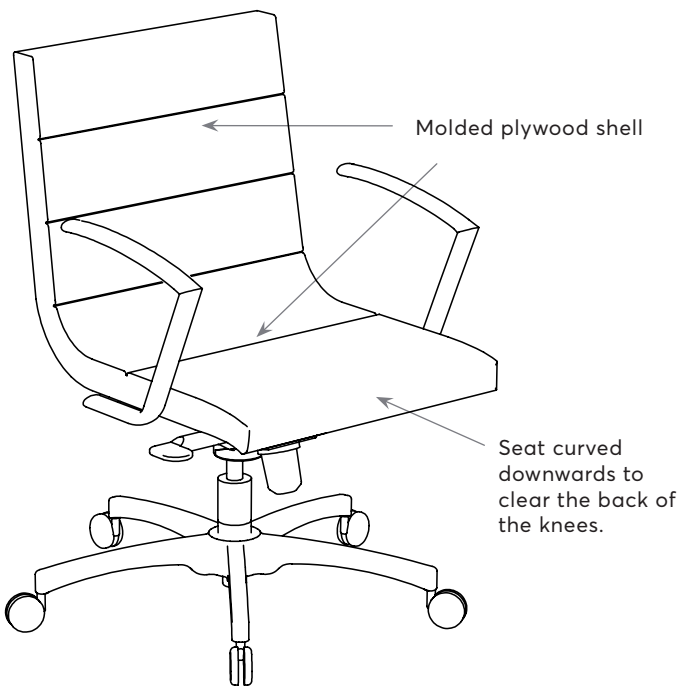
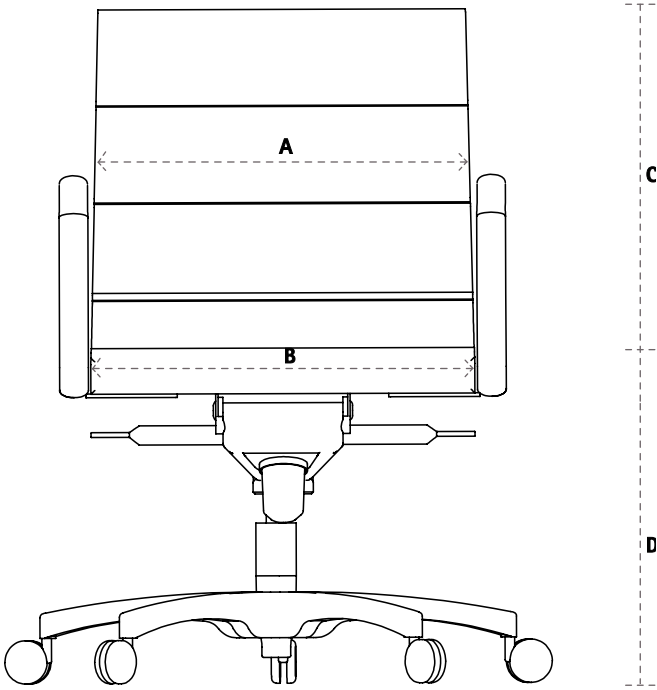
---

<b>SF50</b>	<b>N</b>	<b>6N</b>	<b>PZ</b>	<b>SW</b>	<b>Grade A</b>
Model	Base color	Armrest	Mechanism	Option	Fabric



# CLASSIC

## CONFERENCE ROOM

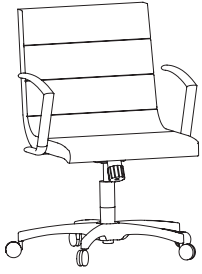


### DIMENSIONS (inches)

	A Backrest width	B Seat width	C Backrest height from seat	D Seat height from floor	E Functional seat depth	F Overall depth	Fabric (yds)	Leather (ft <sup>2</sup> )	Weight (lbs)	Cubic (ft <sup>3</sup> )
CX50	19 1/2	20 1/2	20	17 1/2-22	17 1/2	26	1.5	28	54	16.77

# CLASSIC

## CONFERENCE ROOM

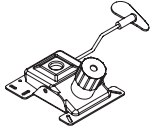


### CX50

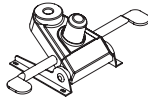
MODEL	CODE	MECHANISM	LIST PRICE / Grade A	Dock Delivery	Inside Delivery	Delivered & Installed
				<b>53%</b>	<b>50%</b>	<b>46%</b>
<b>Chrome base</b>						
<b>CX50</b>						
WC arms	CX50CWCP5	Swivel-tilt	1 483.00	697.01	741.50	800.82
WC arms	CX50CWCP5-SW	Swivel-tilt	1 508.00	708.76	754.00	814.32
<b>Black base</b>						
<b>CX50</b>						
C arms	CX50NCPD	Knee-tilt	1 641.00	771.27	820.50	886.14
C arms	CX50NCPD-SW	Knee-tilt	1 666.00	783.02	833.00	899.64

# OPTIONS

## MECHANISMS (SEE P. 4-5)



**P5**  
Swivel-tilt

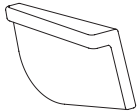


**PD**  
Knee-tilt

## FIXED ARM (SEE P. 6-7)



**W**  
WN: black  
WC: chrome



**C**  
Upholstered

## OTHERS



**N**  
Black base



**C**  
Chrome base



**SW**  
Hard floor caster



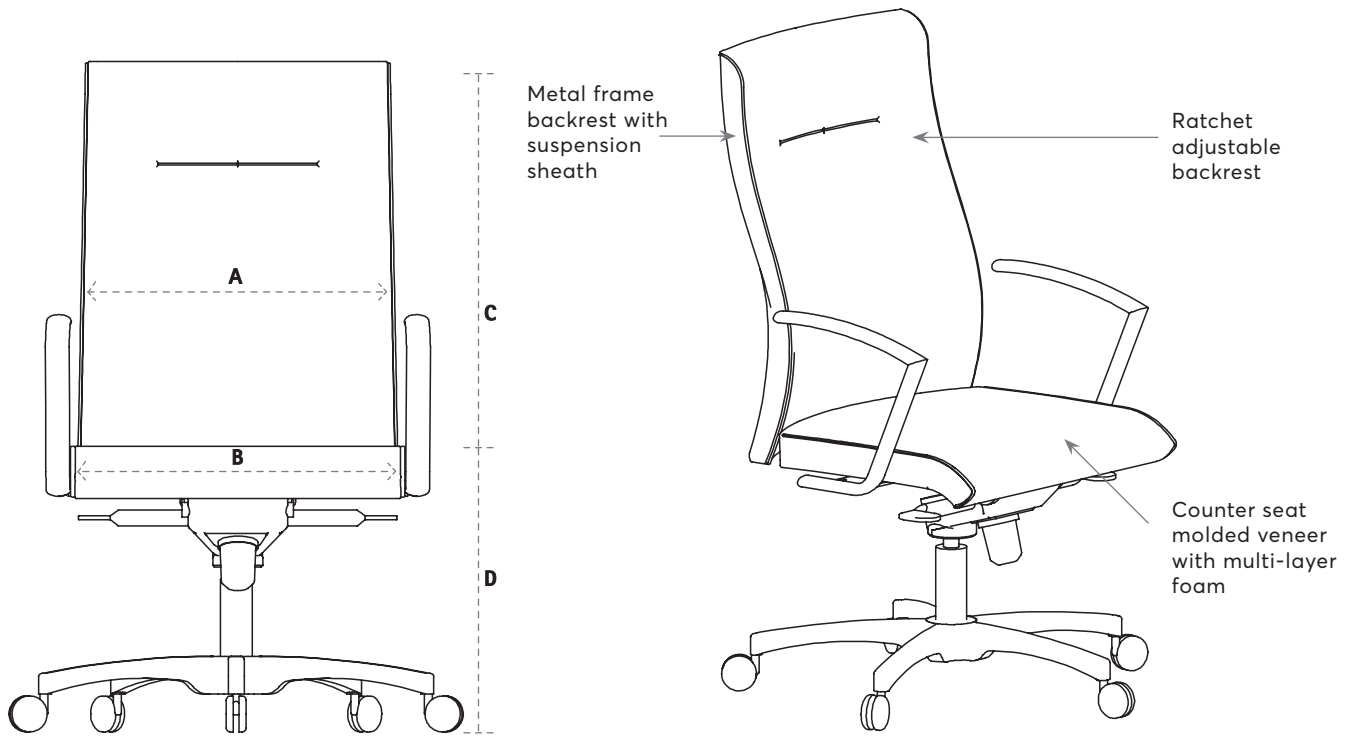
**-**  
Carpet caster

## CODIFICATION

<b>CX50</b>	<b>C</b>	<b>WC</b>	<b>P5</b>	<b>SW</b>	<b>Grade A</b>
Model	Base color	Armrest	Mechanism	Option	Fabric

## **C-23 SEATING:**

EXECUTIVE CHAIR

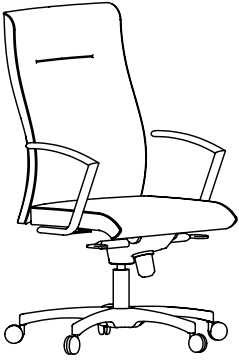


### DIMENSIONS (inches)

	A Backrest width	B Seat width	C Backrest height from seat	D Seat height from floor	E Functional seat depth	F Overall depth	Fabric (yds)	Leather (ft <sup>2</sup> )	Weight (lbs)	Cubic (ft <sup>3</sup> )
RV90	20 1/2	20 1/2	23 1/2-26	17-20 1/2	19	26	1.65	32	52	21.83

# RIVO

## EXECUTIVE CHAIR

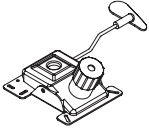


### RV90

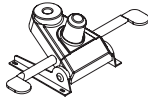
MODEL	CODE	MECHANISM	LIST PRICE / Grade A	Dock Delivery	Inside Delivery	Delivered & Installed
				<b>53%</b>	<b>50%</b>	<b>46%</b>
<b>Black base</b>						
<b>RV90</b>						
WN arms	RV90NWNP5	Swivel-tilt	1 371.00	644.37	685.50	740.34
WN arms	RV90NWNP5-SW	Swivel-tilt	1 396.00	656.12	698.00	753.84
<b>Chrome base</b>						
5C arms	RV90C5CPD	Knee-tilt	1 767.00	830.49	883.50	954.18
5C arms	RV90C5CPD-SW	Knee-tilt	1 792.00	842.24	896.00	967.68

# OPTIONS

### MECHANISMS (SEE P. 4-5)



**P5**  
Swivel-tilt

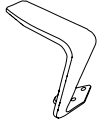


**PD**  
Knee-tilt

### FIXED ARM (SEE P. 6-7)



**W**  
WN: black



**5C**  
C: Chrome

### OTHERS



**N**  
Black base



**C**  
Chrome base



**SW**  
Hard floor caster



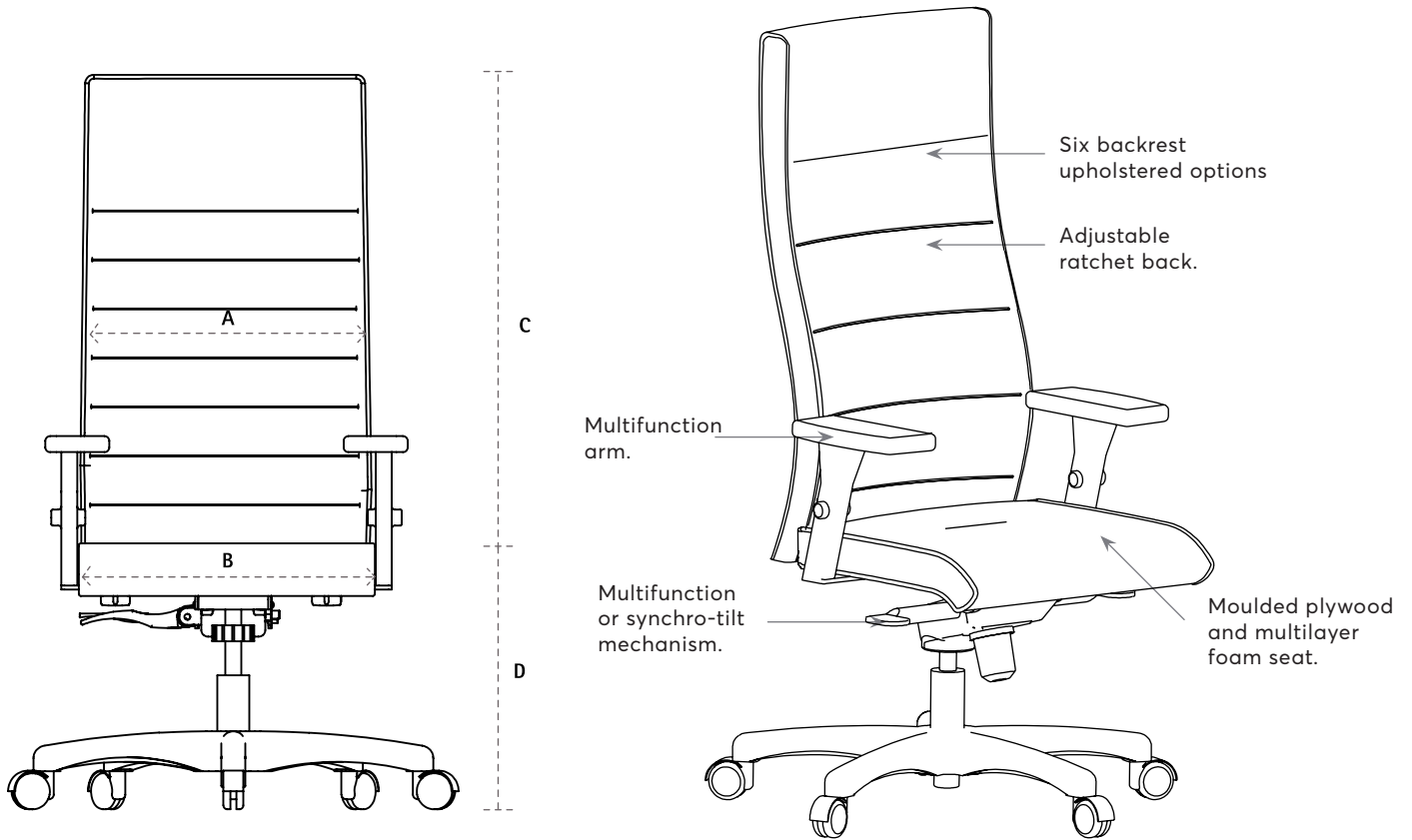
**-**  
Carpet caster

### CODIFICATION

<b>RV90</b>	<b>N</b>	<b>WN</b>	<b>P5</b>	<b>SW</b>	<b>Grade A</b>
Model	Base color	Armrest	Mechanism	Option	Fabric

# LEAD

## EXECUTIVE CHAIR



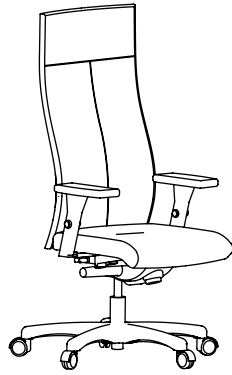
### DIMENSIONS (inches)

	A Backrest width	B Seat width	C Backrest height from seat	D Seat height from floor	E Functional seat depth	F Overall depth	Fabric (yds)	Leather (ft <sup>2</sup> )	Weight (lbs)	Cubic (ft <sup>3</sup> )
LGM92/LL92	18	18 1/2	28 1/2 - 31	17-20 1/2	17 1/2	26	1.65	32	55	21.83





**LGM92**



**LL92**

MODEL	CODE	MECHANISM	LIST PRICE / Grade A	Dock Delivery	Inside Delivery	Delivered & Installed
				<b>53%</b>	<b>50%</b>	<b>46%</b>
<b>High-back</b>						
<b>LGM92</b>						
WN arms	LGM92NWNPD	Knee-tilt	1 563.00	734.61	781.50	844.02
WN arms	LGM92NWNPD-SW	Knee-tilt	1 588.00	746.36	794.00	857.52
<b>LL92</b>						
AN arms	LL92NANPD	Knee-tilt	1 474.00	692.78	737.00	795.96
AN arms	LL92NANPD-SW	Knee-tilt	1 499.00	704.53	749.50	809.46

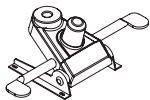
# LEAD

## EXECUTIVE CHAIR

### OPTIONS

#### MECHANISMS (SEE P. 4-5)

---



**PD**  
Knee-tilt

#### FIXED ARM (SEE P. 6-7)

---



**W**  
WN: black  
WC: chrome



**A**  
AN: black  
AC: chrome

#### OTHERS

---

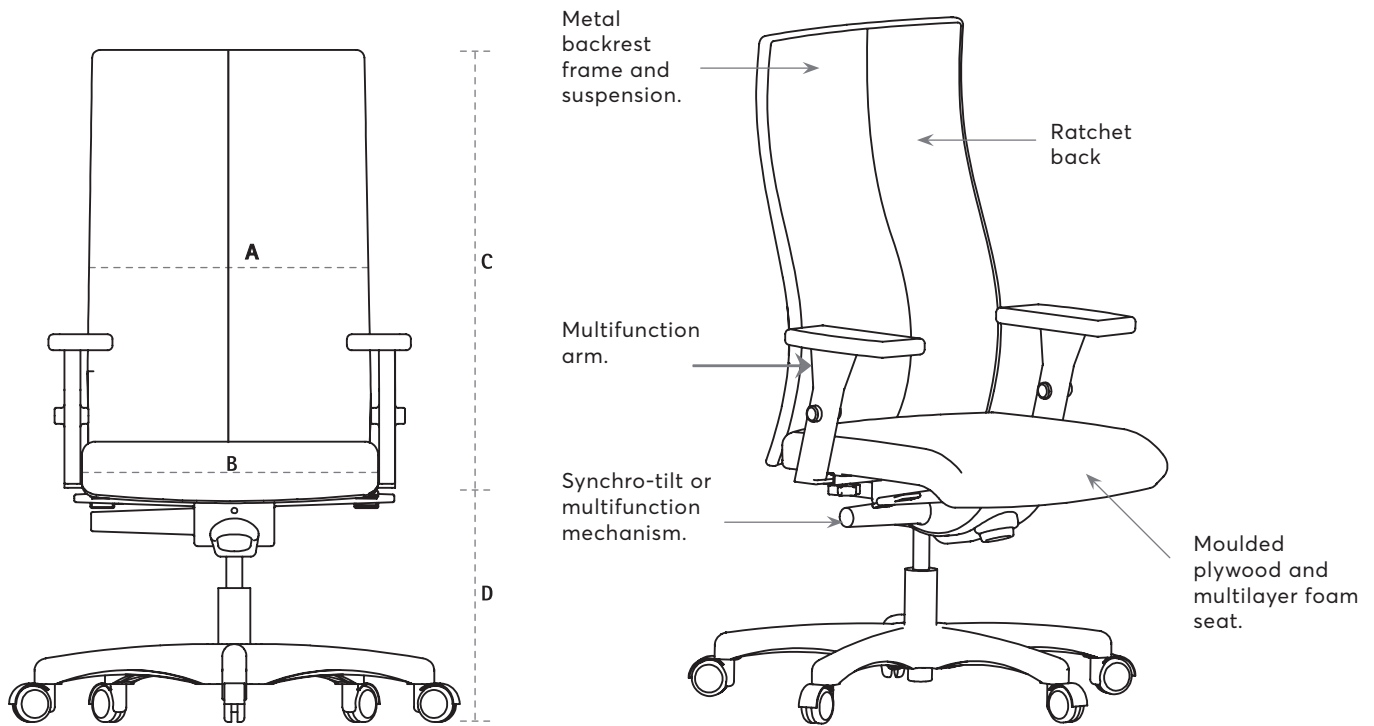


**N**  
Black base

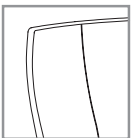
#### CODIFICATION

---

<b>LM92</b>	<b>N</b>	<b>WN</b>	<b>PD</b>	<b>SW</b>	<b>Grade A</b>
Model	Base color	Armrest	Mechanism	Option	Fabric



SL



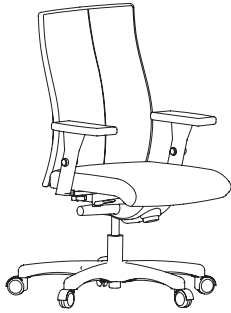
Slim  
backrest

### DIMENSIONS (inches)

	A Backrest width	B Seat width	C Backrest height from seat	D Seat height from floor	E Functional seat depth	F Overall depth	Fabric (yds)	Leather (ft <sup>2</sup> )	Weight (lbs)	Cubic (ft <sup>3</sup> )
SL50	18	18 1/2	19 1/2 - 22	17 - 20 1/2	17 1/2	26	1.40	26	49	16.77

# LEAD X

EXECUTIVE CHAIR

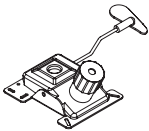


## SL50

MODEL	CODE	MECHANISM	LIST PRICE / Grade A	Dock Delivery	Inside Delivery	Delivered & Installed
				<b>53%</b>	<b>50%</b>	<b>46%</b>
<b>SLIM - Mid-back</b>						
<b>SL50</b>						
P arms	SL50NPP5	Swivel-tilt	848.00	398.56	424.00	457.92
P arms	SL50NPP5-SW	Swivel-tilt	873.00	410.31	436.50	471.42

## OPTIONS

### MECHANISMS (SEE P. 4-5)



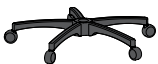
**P5**  
Swivel-tilt

### FIXED ARM (SEE P. 6-7)



**P**

### OTHERS



**N**  
Black base



**SW**  
Hard floor caster



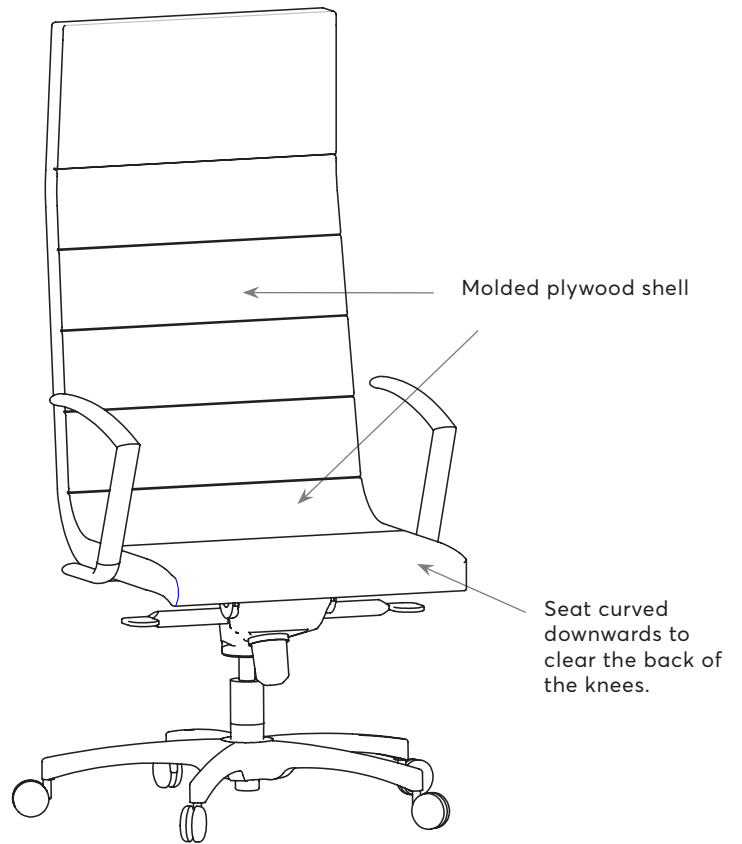
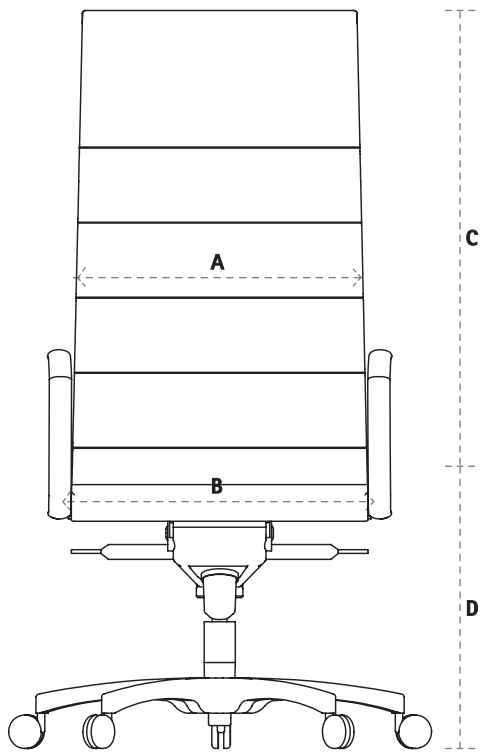
**-**  
Carpet caster

### CODIFICATION

<b>SL50</b>	<b>N</b>	<b>P</b>	<b>P5</b>	<b>SW</b>	<b>Grade A</b>
Model	Base color	Armrest	Mechanism	Option	Fabric

# CLASSIC

## EXECUTIVE CHAIR



### DIMENSIONS (inches)

	A Backrest width	B Seat width	C Backrest height from seat	D Seat height from floor	E Functional seat depth	F Overall depth	Fabric (yds)	Leather (ft <sup>2</sup> )	Weight (lbs)	Cubic (ft <sup>3</sup> )
CX92	19 1/2	20 1/2	29	17 1/2-22	17 1/2	26	1.8	32	54	16.77

# CLASSIC

## EXECUTIVE CHAIR

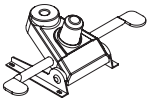


**CX92**

MODEL	CODE	MECHANISM	LIST PRICE / Grade A	Dock Delivery	Inside Delivery	Delivered & Installed
				<b>53%</b>	<b>50%</b>	<b>46%</b>
<b>Chrome base</b>						
<b>CX92</b>						
C arms	CX92CCPD	Knee-tilt	1 840.00	864.80	920.00	993.60
C arms	CX92CCPD-SW	Knee-tilt	1 865.00	876.55	932.50	1007.10

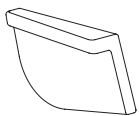
## OPTIONS

### MECHANISMS (SEE P. 4-5)



**PD**  
Knee-tilt

### FIXED ARM (SEE P. 6-7)



**C**  
Upholstered

### OTHERS



**C**  
Chrome base



**SW**  
Hard floor caster



**-**  
Carpet caster

### CODIFICATION

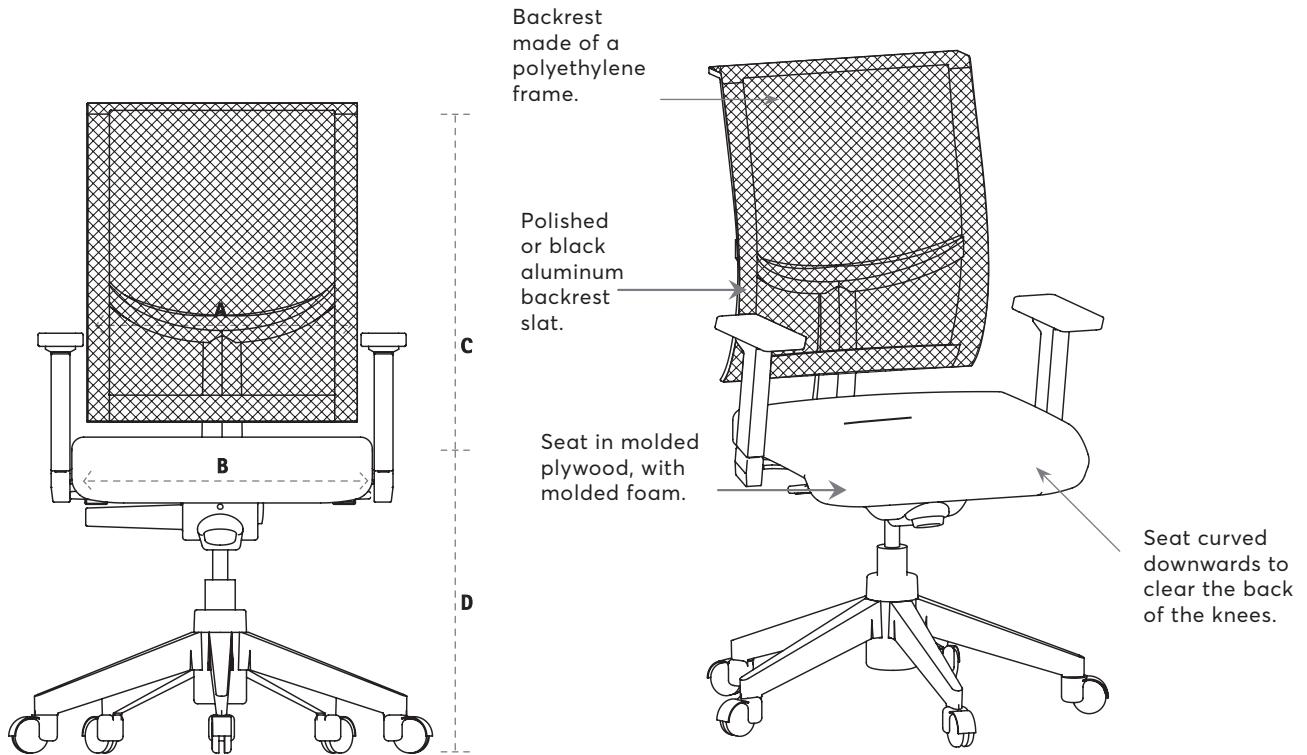
<b>CX92</b>	<b>C</b>	<b>C</b>	<b>PD</b>	<b>SW</b>	<b>Grade A</b>
Model	Base color	Armrest	Mechanism	Option	Fabric

## **C-23 SEATING:**

MID BACK CHAIR

# FX

## MID BACK CHAIR



### EF

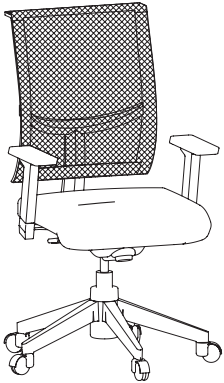


Mesh backrest and upholstered seat

### DIMENSIONS (inches)

	A Backrest width	B Seat width	C Backrest height from seat	D Seat height from floor	E Functional seat depth	F Overall depth	Fabric (yds)	Leather (ft <sup>2</sup> )	Weight (lbs)	Cubic (ft <sup>3</sup> )
EFN40	18	19	24 1/2	17 1/2-20	18	24	0.7	14	52	16.77



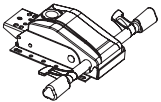


**EF40**

MODEL	CODE	MECHANISM	LIST PRICE / Grade A	Dock Delivery	Inside Delivery	Delivered & Installed
				<b>53%</b>	<b>50%</b>	<b>46%</b>
<b>Black base</b>						
<b>EFN40</b>						
M arms	EFN40NMPZ	Synchro-tilt	1 249.00	587.03	624.50	674.46
M arms	EFN40NMPZ-SW	Synchro-tilt	1 274.00	598.78	637.00	687.96

## OPTIONS

### MECHANISMS (SEE P. 4-5)



**PZ**  
Synchro-tilt with seat slider

### FIXED ARM (SEE P. 6-7)



**M**  
5 functions

### OTHERS



**N**  
Black base



**SW**  
Hard floor caster



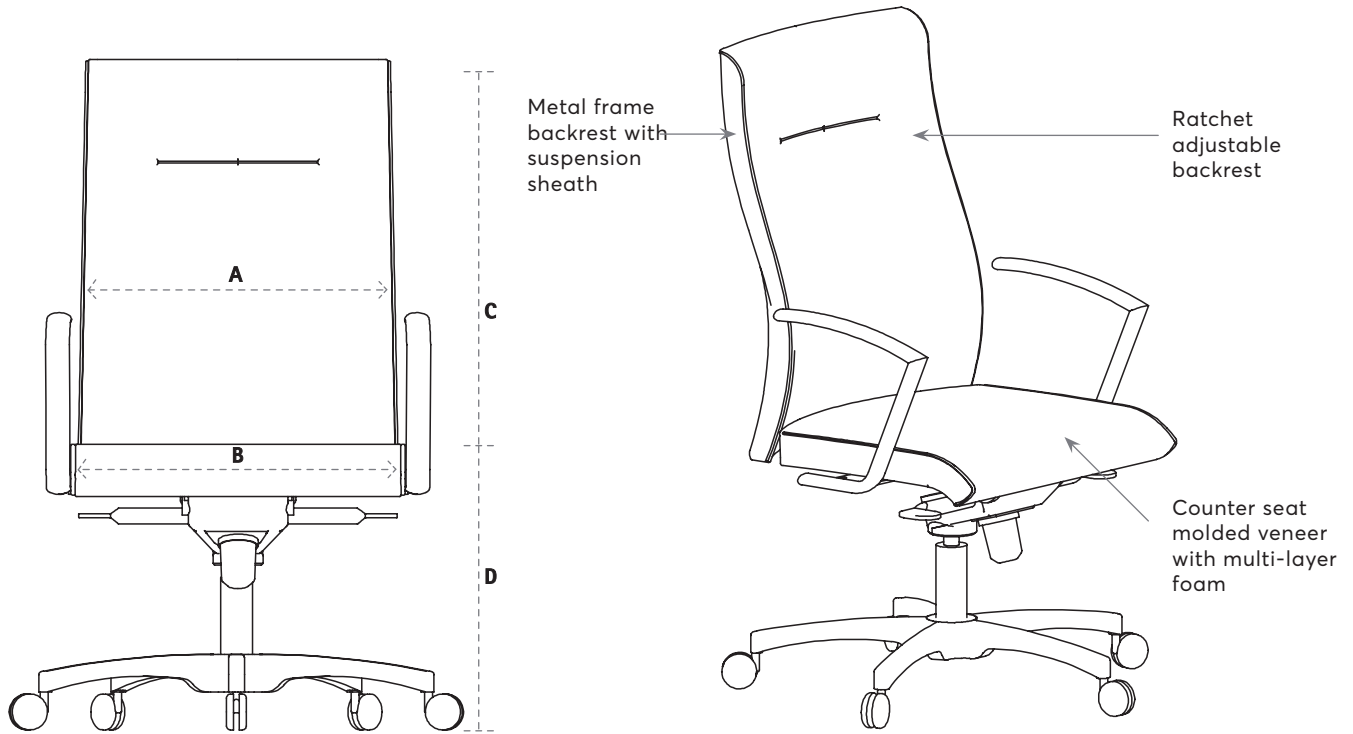
**-**  
Carpet caster

### CODIFICATION

<b>EFN40</b>	<b>N</b>	<b>M</b>	<b>PZ</b>	<b>SW</b>	<b>Grade A</b>
Model	Base color	Armrest	Mechanism	Option	Fabric

# RIVO

## MID BACK CHAIR



### DIMENSIONS (inches)

	A Backrest width	B Seat width	C Backrest height from seat	D Seat height from floor	E Functional seat depth	F Overall depth	Fabric (yds)	Leather (ft <sup>2</sup> )	Weight (lbs)	Cubic (ft <sup>3</sup> )
RV50	20 1/2	20 1/2	19 1/2-22	17-20 1/2	19	26	1.50	28	49	16.77

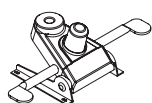


**RV50**

MODEL	CODE	MECHANISM	LIST PRICE / Grade A	Dock Delivery	Inside Delivery	Delivered & Installed
				<b>53%</b>	<b>50%</b>	<b>46%</b>
<b>Black base</b>						
<b>RV50</b>						
6N arms	RV50N6NPD	Knee-tilt	1 453.00	682.91	726.50	784.62
6N arms	RV50N6NPD-SW	Knee-tilt	1 478.00	694.66	739.00	798.12

## OPTIONS

### MECHANISMS (SEE P. 4-5)



**PD**  
Knee-tilt

### FIXED ARM (SEE P. 6-7)



**6**  
6N: black

### OTHERS



**N**  
Black base



**SW**  
Hard floor caster



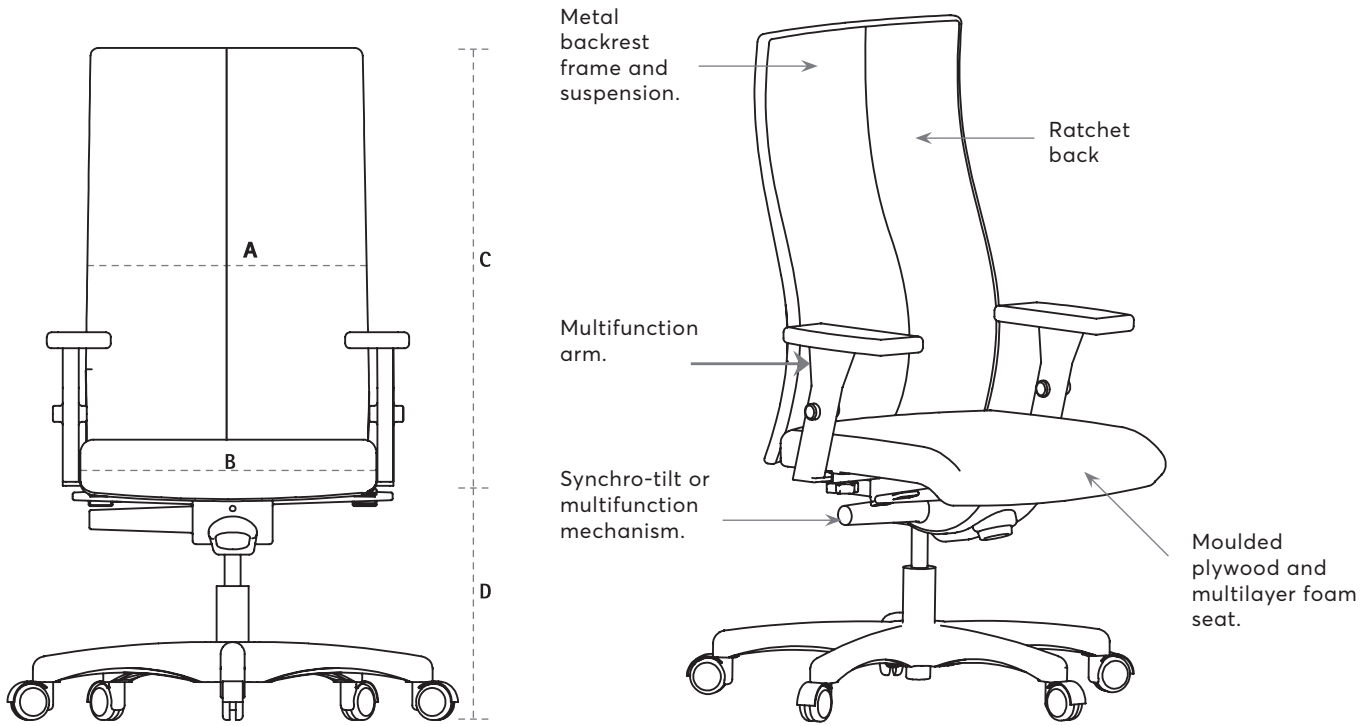
**-**  
Carpet caster

### CODIFICATION

<b>RV50</b>	<b>N</b>	<b>6N</b>	<b>PD</b>	<b>SW</b>	<b>Grade A</b>
Model	Base color	Armrest	Mechanism	Option	Fabric

# LEAD X

## MID BACK CHAIR



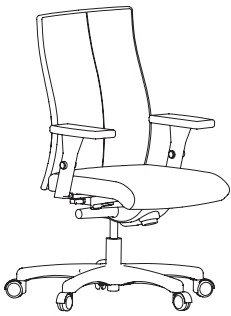
SL



Slim  
backrest

### DIMENSIONS (inches)

	A Backrest width	B Seat width	C Backrest height from seat	D Seat height from floor	E Functional seat depth	F Overall depth	Fabric (yds)	Leather (ft <sup>2</sup> )	Weight (lbs)	Cubic (ft <sup>3</sup> )
SL50	18	18 1/2	19 1/2 - 22	17 - 20 1/2	17 1/2	26	1.40	26	49	16.77

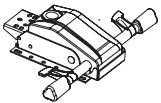


### SL50

MODEL	CODE	MECHANISM	LIST PRICE / Grade A	Dock Delivery	Inside Delivery	Delivered & Installed
				<b>53%</b>	<b>50%</b>	<b>46%</b>
<b>SLIM - Mid-back</b>						
<b>SL50</b>						
M arms	SL50NMPZ	Swivel-tilt	1 207.00	567.29	603.50	651.78
M arms	SL50NMPZ-SW	Swivel-tilt	1 232.00	579.04	616.00	665.28

## OPTIONS

### MECHANISMS (SEE P. 4-5)



**PZ**  
Synchro-tilt with  
seat slider

### FIXED ARM (SEE P. 6-7)



**M**  
5 functions

### OTHERS



**N**  
Black base



**SW**  
Hard floor caster



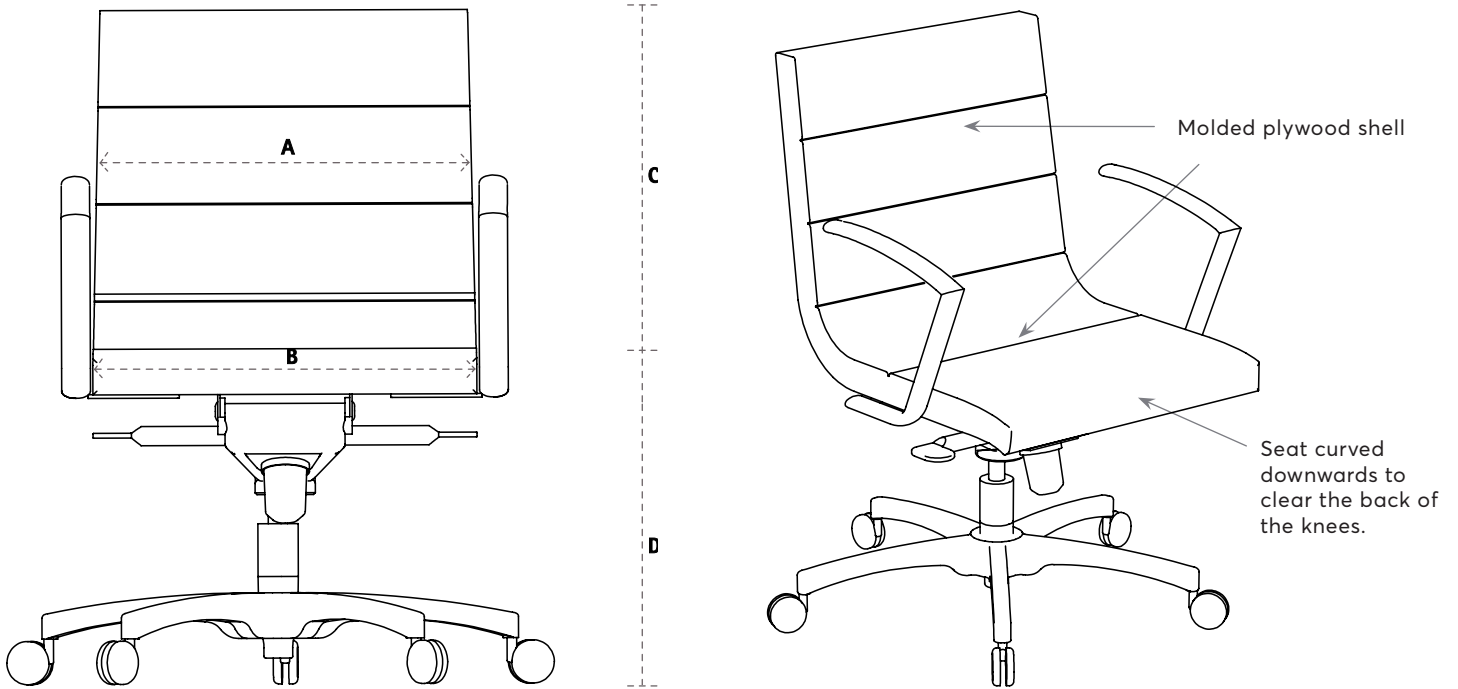
**-**  
Carpet caster

### CODIFICATION

<b>SL50</b>	<b>N</b>	<b>M</b>	<b>PZ</b>	<b>SW</b>	<b>Grade A</b>
Model	Base color	Armrest	Mechanism	Option	Fabric

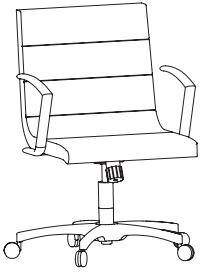
# CLASSIC

## MID BACK CHAIR



### DIMENSIONS (inches)

	A Backrest width	B Seat width	C Backrest height from seat	D Seat height from floor	E Functional seat depth	F Overall depth	Fabric (yds)	Leather (ft <sup>2</sup> )	Weight (lbs)	Cubic (ft <sup>3</sup> )
CX50	19 1/2	20 1/2	20	17 1/2-22	17 1/2	26	1.5	28	54	16.77



### CX50

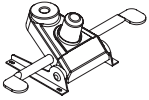
MODEL	CODE	MECHANISM	LIST PRICE / Grade A	Dock Delivery	Inside Delivery	Delivered & Installed
				<b>53%</b>	<b>50%</b>	<b>46%</b>
<b>Chrome base</b>						
<b>CX50</b>						
WC arms	CX50CWCP5	Swivel-tilt	1 483.00	697.01	741.50	800.82
WC arms	CX50CWCP5-SW	Swivel-tilt	1 508.00	708.76	754.00	814.32
<b>Black base</b>						
<b>CX50</b>						
C arms	CX50NCPD	Knee-tilt	1 641.00	771.27	820.50	886.14
C arms	CX50NCPD-SW	Knee-tilt	1 666.00	783.02	833.00	899.64

# CLASSIC

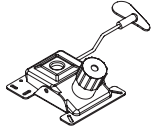
MID BACK CHAIR

## OPTIONS

### MECHANISMS (SEE P. 4-5)

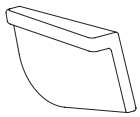


**PD**  
Knee-tilt



**P5**  
Swivel-tilt

### FIXED ARM (SEE P. 6-7)



**C**  
Upholstered



**W**  
WC: Chrome

### OTHERS



**C**  
Chrome base



**N**  
Black base



**SW**  
Hard floor caster



**-**  
Carpet caster

### CODIFICATION

<b>CX50</b>	<b>N</b>	<b>D</b>	<b>PZ</b>	<b>SW</b>	<b>Grade A</b>
Model	Base color	Armrest	Mechanism	Option	Fabric

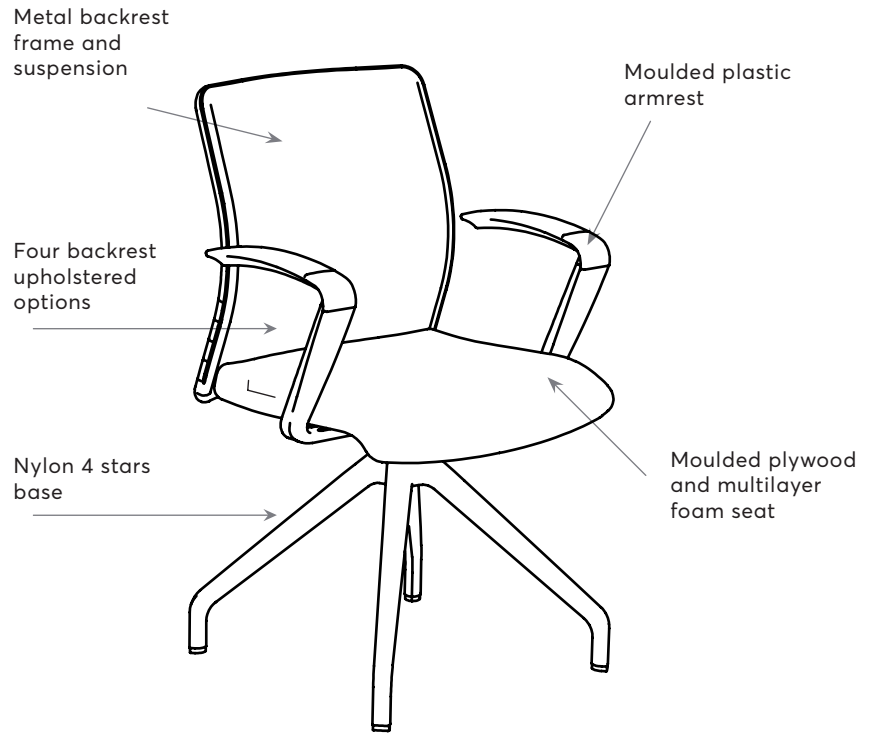
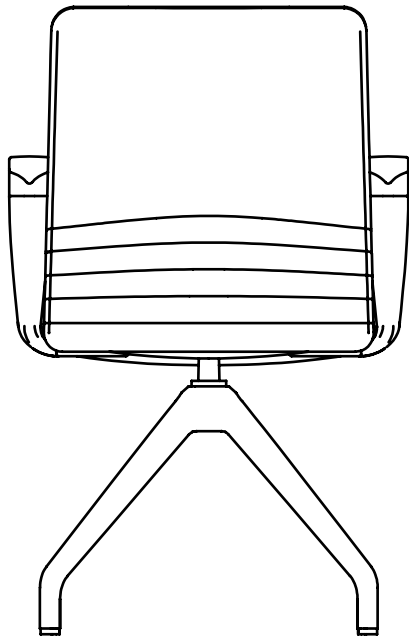


## **C-23 SEATING:**

LOW BACK CHAIR

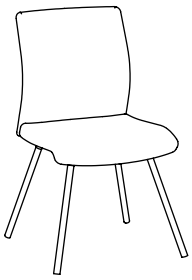
# LEAD SIDE

## LOW BACK CHAIR

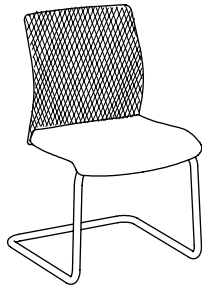


### DIMENSIONS (inches)

	A Backrest width	B Seat width	C Backrest height from seat	D Seat height from floor	E Functional seat depth	F Overall depth	Fabric (yds)	Leather (ft <sup>2</sup> )	Weight (lbs)	Cubic (ft <sup>3</sup> )
SL/SF30	18	18 1/2	16 1/2	18	17 1/2	23 1/2	1.25	24	35	13.51
SL70	18	18 1/2	16 1/2	18	17 1/2	23 1/2	1.25	24	35	13.51
SF75	18	18 1/2	16 1/2	18	17 1/2	23 1/2	1.25	24	35	13.51



**SL70**



**SF75**



**SL30**



**SF30**

MODEL	CODE	MECHANISM	LIST PRICE / Grade A	Dock Delivery	Inside Delivery	Delivered & Installed
				<b>53%</b>	<b>50%</b>	<b>46%</b>
<b>SLIM</b>						
<b>4 legged base</b>						
<b>SL70</b>						
No arms	SL70N	-	863.00	405.61	431.50	466.02
<b>MESH</b>						
<b>Cantilevered base</b>						
<b>SF75</b>						
WN arms	SF75NWN	-	1 056.00	496.32	528.00	570.24
<b>SLIM</b>						
<b>Caster base</b>						
<b>SL30</b>						
P arms	SL30NPP5	Swivel-tilt	870.00	408.90	435.00	469.80
P arms	SL30NPP5-SW	Swivel-tilt	895.00	420.65	447.50	483.30
<b>MESH</b>						
<b>Caster base</b>						
<b>SF30</b>						
P arms	SF30NPP5	Swivel-tilt	857.00	402.79	428.50	462.78
P arms	SF30NPP5-SW	Swivel-tilt	882.00	414.54	441.00	476.28

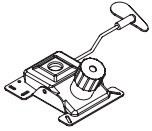
# LEAD SIDE

LOW BACK CHAIR

## OPTIONS

### MECHANISMS (SEE P. 6-7)

---



**P5**  
Swivel-tilt

### OTHERS

---



**N**  
Black base



**SW**  
Hard floor caster



**-**  
Carpet caster

### FIXED ARM (SEE P. 6-7)

---



**P**

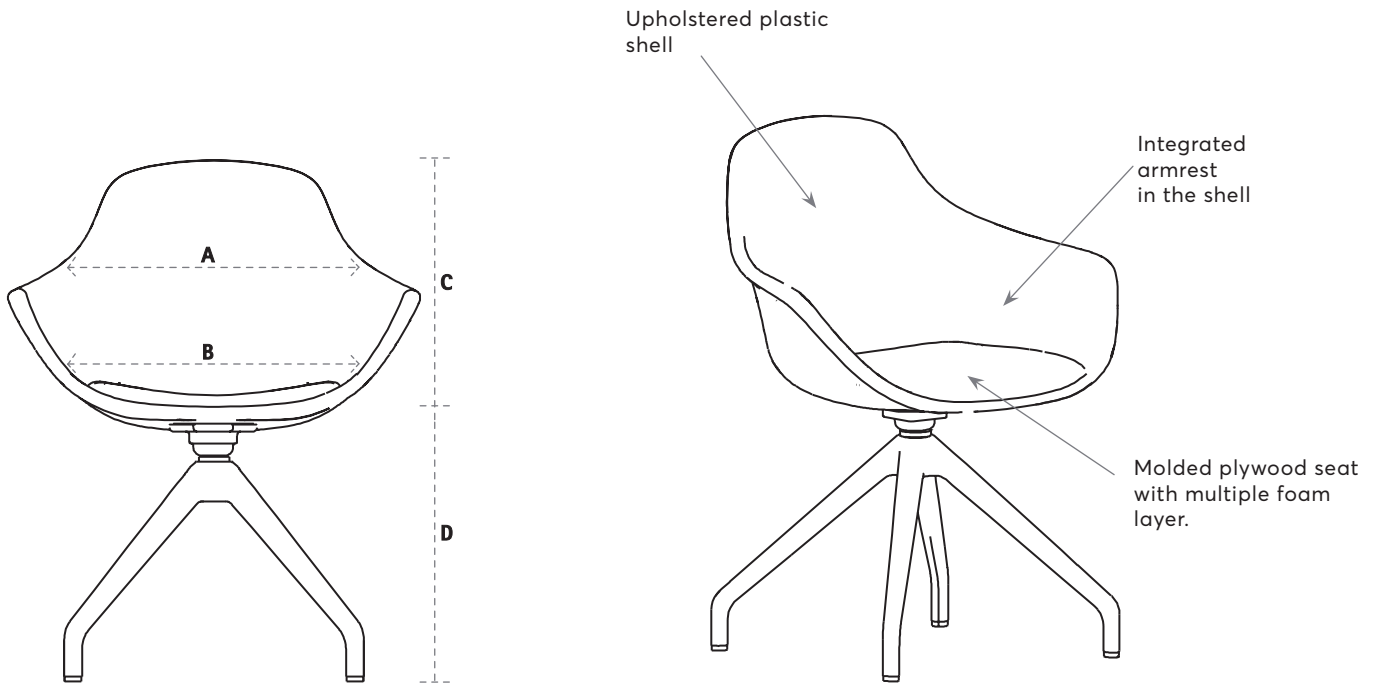


**W**  
WN: black

### CODIFICATION

---

<b>SL70</b>	<b>N</b>	<b>P</b>	<b>P5</b>	<b>Grade A</b>
Model	Base	Option	Mechanism	Fabric

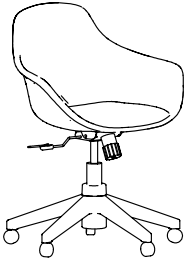


**DIMENSIONS (inches)**

	A Backrest width	B Seat width	C Backrest height from seat	D Seat height from floor	E Functional seat depth	F Overall depth	Fabric (yds)	Leather (ft2)	Weight (lbs)	Cubic (ft3)
LY40	18	18	15 1/2	17 1/2 - 21 1/2	16 1/2	26	1.6	29	19.5	14.81

# ELY

## LOW BACK CHAIR

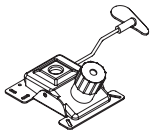


### LY40

MODEL	CODE	MECHANISM	LIST PRICE / Grade A	Dock Delivery	Inside Delivery	Delivered & Installed
				53%	50%	46%
<b>Caster base</b>						
<b>LY40</b>						
Caster base	LY40ANP5	Swivel-tilt	948.00	445.56	474.00	511.92
Caster base	LY40ANP5-SW	Swivel-tilt	973.00	457.31	486.50	525.42

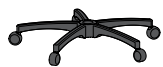
## OPTIONS

### MECHANISMS (SEE P. 6-7)



**P5**  
Swivel-tilt

### OTHERS



**N**  
Black base



**SW**  
Hard floor caster



**-**  
Carpet caster

### CODIFICATION

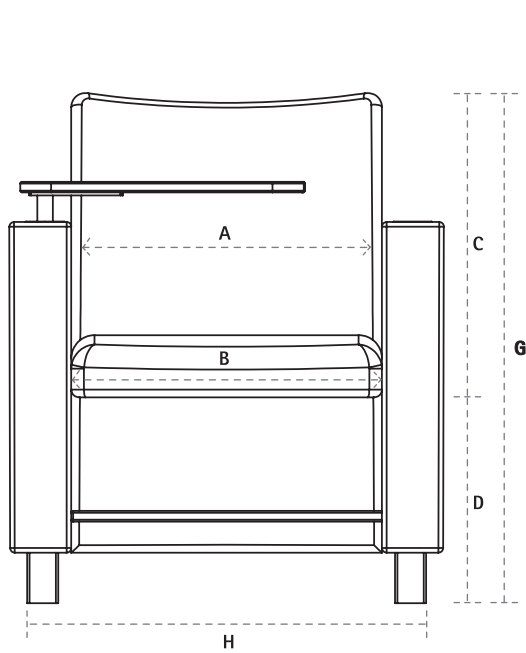
LY40A	N	P5	Grade A
Model	Base	Option	Fabric

## **C-23 SEATING:**

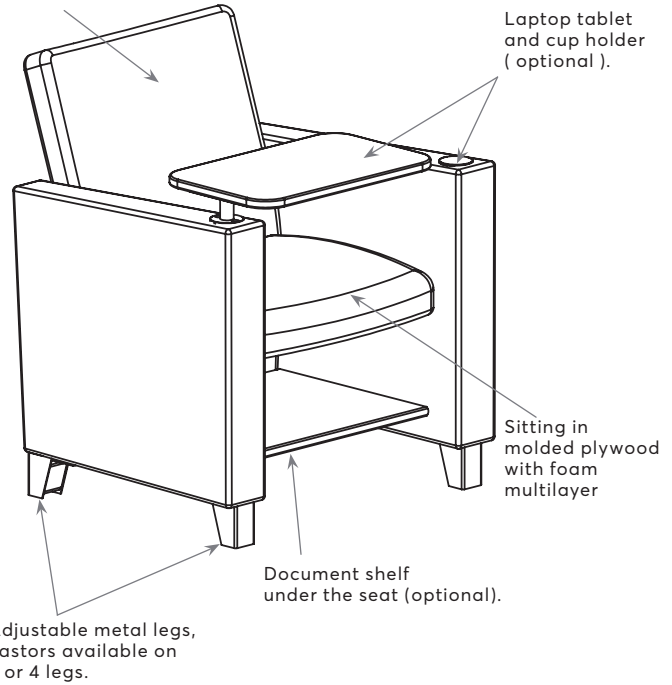
LOUNGE CHAIRS

# CAMPUS

## LOUNGE CHAIR



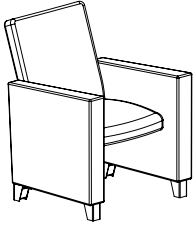
Molded plywood backrest and multi-layered foam



### DIMENSIONS (inches)

	A	B	C	D	E	F	Fabric	Leather	Weight	Cubic
	Backrest width	Seat width	Backrest height from seat	Seat height from floor	Functional seat depth	Overall depth	(yds)	(ft <sup>2</sup> )	(lbs)	(ft <sup>3</sup> )
CP15	20 1/2	20 1/2	16	17 1/2	20	28	3.35	60	70	16.61





### CP15

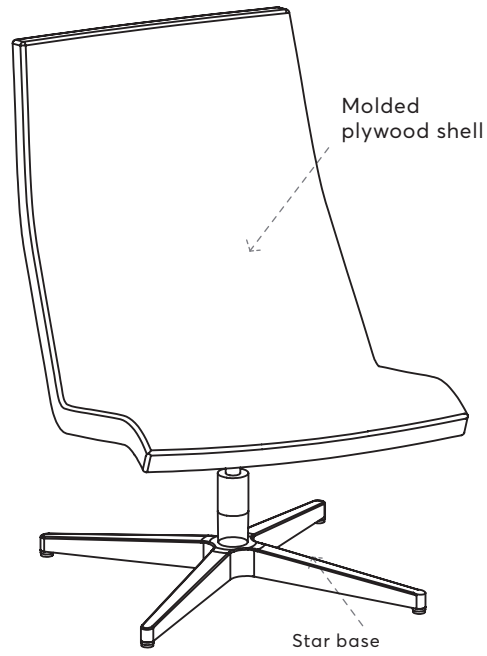
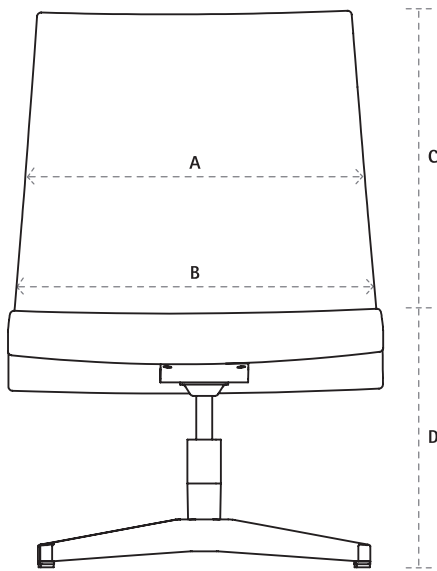
MODEL	CODE	LIST PRICE / Grade A	Dock Delivery	Inside Delivery	Delivered & Installed
CP15	CP15	1 923.00	903.81	961.50	1038.42

#### CODIFICATION

CP15	Grade A
Model	Fabric

# ZETTI

LOUNGE CHAIR



## DIMENSIONS (inches)

	A Backrest width	B Seat width	C Backrest height from seat	D Seat height from floor	E Functional seat depth	F Overall depth	Fabric (yds)	Leather (ft2)
FA43	22	24	16	17 1/2	18	25	1.50	28
FA63	22	24	26	17 1/2	18	28	1.90	35



**FA43**

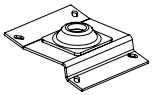


**FA63**

MODEL	CODE	MECHANISM	LIST PRICE / Grade A	Dock Delivery	Inside Delivery	Delivered & Installed
				<b>53%</b>	<b>50%</b>	<b>46%</b>
<b>Low back</b>						
<b>FA43</b> No arms	FA43*P4	Lounge	1 355.00	636.85	677.50	731.70
<b>High back</b>						
<b>FA63</b> No arms	FA63*P4	Lounge	1 370.00	643.90	685.00	739.80

## OPTIONS

### MECHANISMS (SEE P. 4-5)



**P4**  
Lounge

### BASE



**B**  
White base



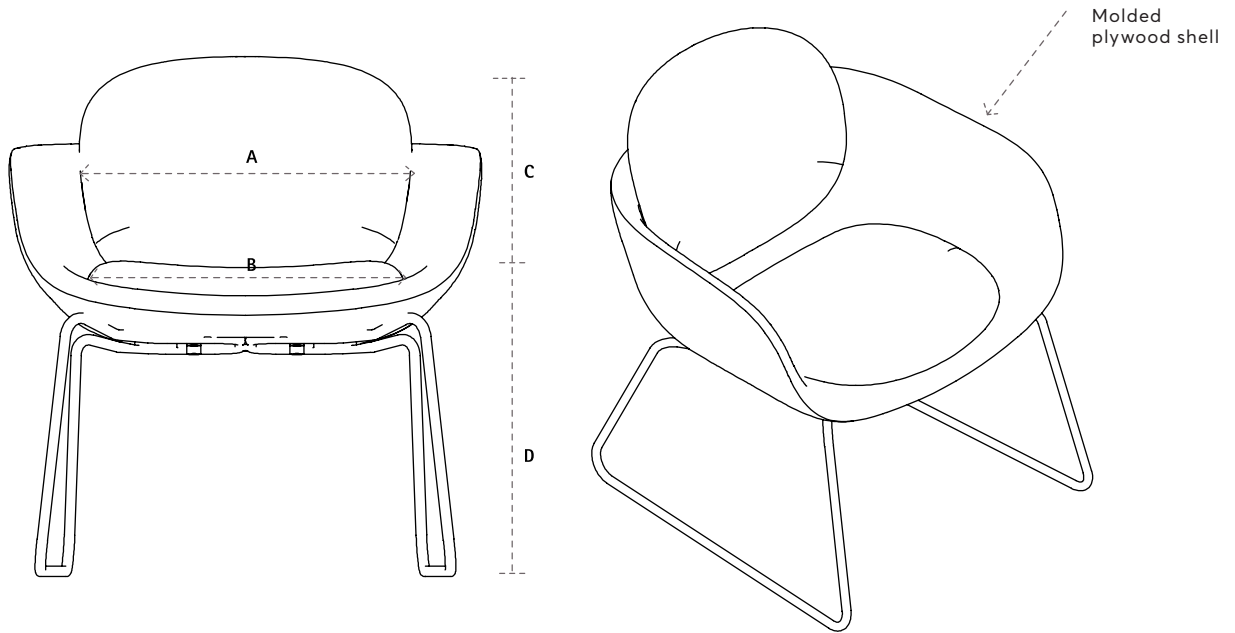
**N**  
Black base

### CODIFICATION

<b>FA43</b>	<b>C</b>	<b>P4</b>	<b>Grade A</b>
Model	Base color	Mechanism	Fabric

# BILY

## LOUNGE CHAIR

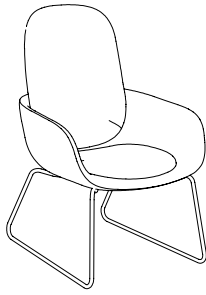


### DIMENSIONS (inches)

	A Backrest width	B Seat width	C Backrest height from seat	D Seat height from floor	E Functional seat depth	F Overall depth	Fabric (yds)	Leather (ft <sup>2</sup> )	Cubic (ft <sup>3</sup> )
BY45	19.5	19.5	14	17.5	18	27	2.35	42	16.61
BY65	19.5	19.5	24	17.5	18	29	2.6	46	35



**BY45**



**BY65**

MODEL	CODE	LIST PRICE / Grade A	Dock Delivery	Inside Delivery	Delivered & Installed
			<b>53%</b>	<b>50%</b>	<b>46%</b>
<b>Low back</b>					
<b>BY45</b> Sled base	<b>BY45A*</b>	2 198.00	1033.06	1099.00	1186.92
<b>High back</b>					
<b>BY65</b> Sled base	<b>BY65A*</b>	2 251.00	1 057.97	1125.50	1215.54

## OPTIONS

### OTHERS



**B**  
White base



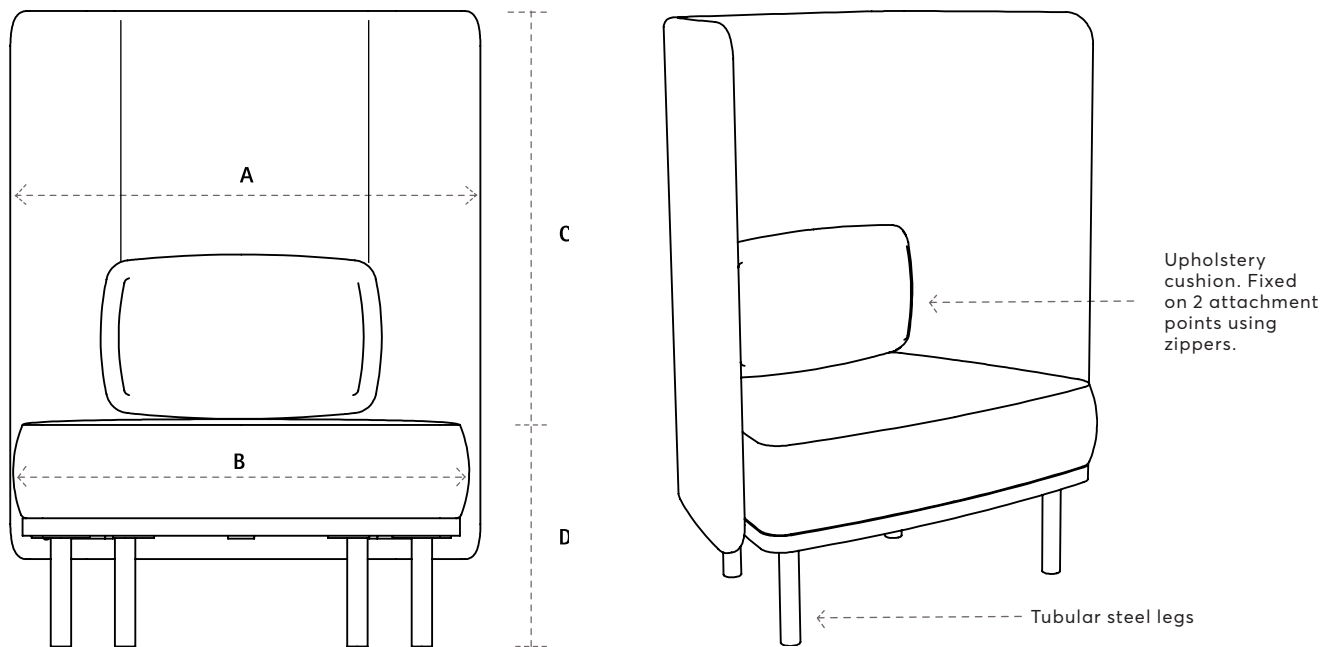
**N**  
Black base

### CODIFICATION

<b>BY45</b>	<b>N</b>	<b>Grade A</b>
Model	Base color	Fabric

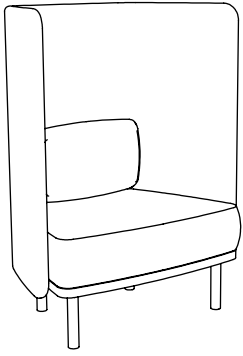
# COAST

## LOUNGE CHAIR



### DIMENSIONS (inches)

	A Backrest width	B Seat width	C Backrest height from seat	D Seat height from floor	E Functional seat depth	F Overall depth	Fabric (yds)	Leather (ft <sup>2</sup> )
OAD41AMN	25	37	15	17 1/2	20	28	8.15	141



**OAD41**

MODEL	CODE	LIST PRICE / Grade A	Dock Delivery	Inside Delivery	Delivered & Installed
			53%	50%	46%
<b>OAD41</b> Right high back	<b>OAD41AMN</b>	3 936.00	1849.92	1968.00	2125.44

**OPTIONS**

**OTHERS**



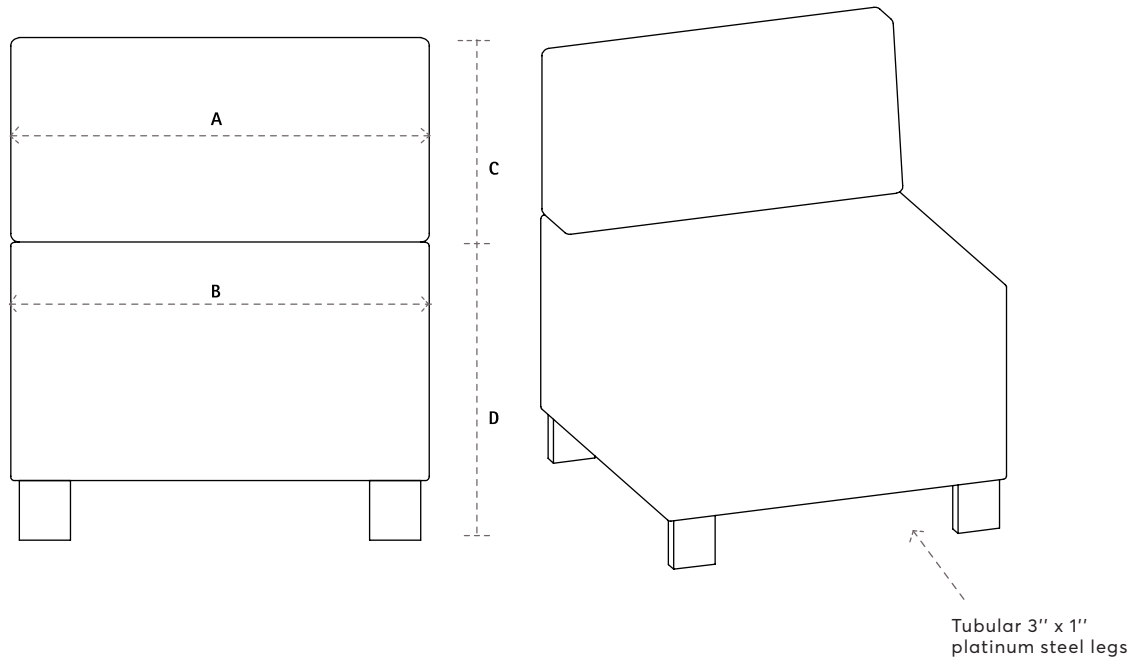
**N**  
Black legs

**CODIFICATION**

<b>OAD41</b>	<b>A</b>	<b>MN</b>	<b>Grade A</b>
Model	Option	Base	Fabric

# BLOK

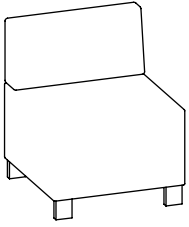
LOUNGE CHAIR



## DIMENSIONS (inches)

	A	B	C	D	E	F	Fabric (yds)	Leather (ft <sup>2</sup> )	Cubic (ft <sup>3</sup> )
	Backrest width	Seat width	Backrest height from seat	Seat height from floor	Functional seat depth	Overall depth			
BL21	24 9/16	24 9/16	12	17 1/2	19	24 9/16	1.95	36	11.33





**BL21**

MODEL	CODE	LIST PRICE / Grade A	Dock Delivery	Inside Delivery	Delivered & Installed
<b>BL21</b> No arms	<b>BL21N</b>	1 596.00	<b>53%</b> 750.12	<b>50%</b> 798.00	<b>46%</b> 861.84

**OPTIONS**

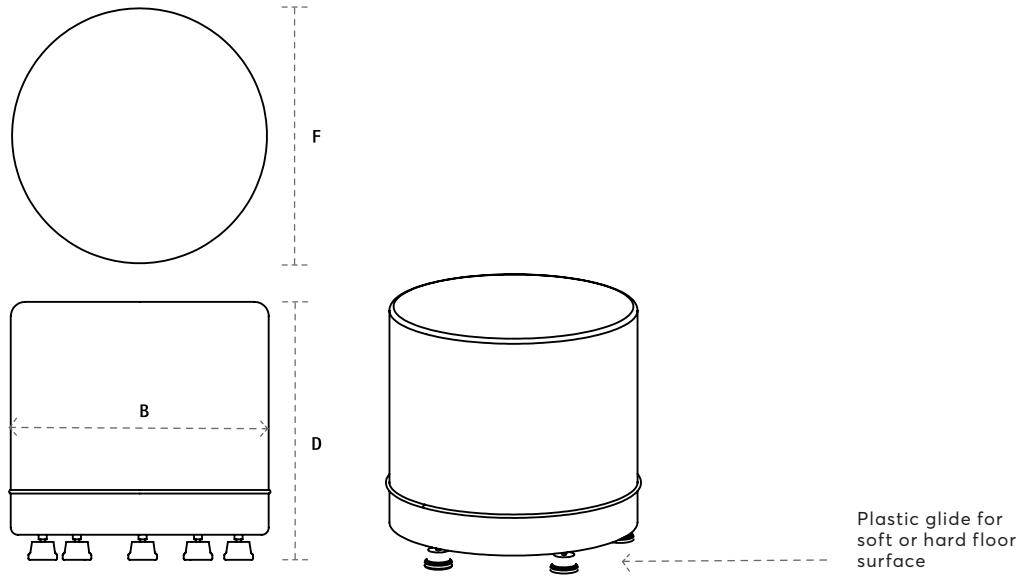
**LEGS**



**N**  
Black

**CODIFICATION**

<b>BL21</b>	<b>N</b>	<b>Grade A</b>
Model	Base color	Fabric



### DIMENSIONS (inches)

	A Backrest width	B Seat width	C Backrest height from seat	D Seat height from floor	E Functional seat depth	F Overall depth	Fabric (yds)	Leather (ft2)	Cubic (ft3)
GO40	-	18	-	18	18	18	1.15	22	6



**GO40**

MODEL	CODE	LIST PRICE / Grade A	Dock Delivery	Inside Delivery	Delivered & Installed
			<b>53%</b>	<b>50%</b>	<b>46%</b>
GO40 On glides	GO42AG2	951.00	446.97	475.50	513.54

## OPTIONS

### OTHERS



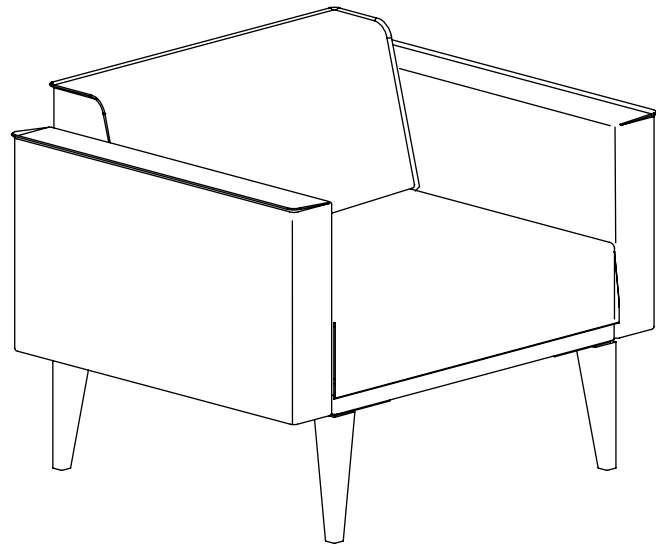
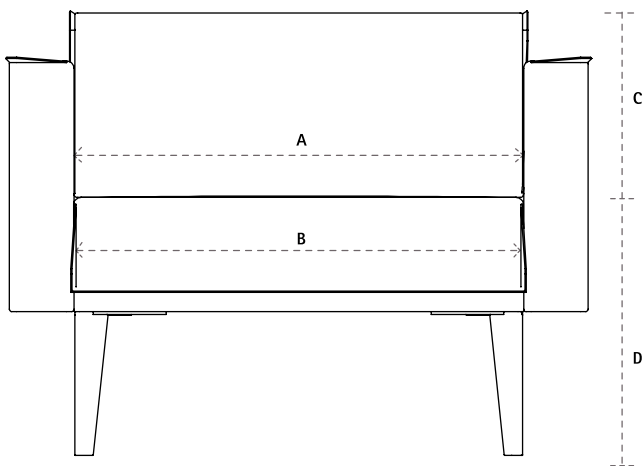
**G2**  
Glides

### CODIFICATION

<b>GO40</b>	<b>A</b>	<b>G2</b>	<b>Grade A</b>
Model	Option	Base	Fabric

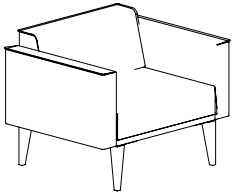
# EVA FLOW

## LOUNGE CHAIR

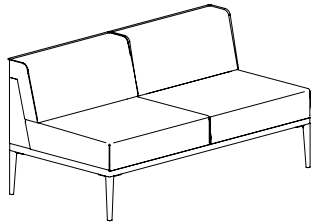


### DIMENSIONS (inches)

	A Backrest width	B Seat width	C Backrest height from seat	D Seat height from floor	E Functional seat depth	F Overall depth	Fabric (yds)	Leather (ft <sup>2</sup> )	Cubic (ft <sup>3</sup> )
EW31B4	30	30	13	17.5	22	30	6.05	105	16.64
EW32	60	60	13	17.5	22	30	6.8	118	18.05



**EW31B4**



**EW32**

MODEL	CODE	LIST PRICE / Grade A	Dock Delivery	Inside Delivery	Delivered & Installed
			<b>53%</b>	<b>50%</b>	<b>46%</b>
<b>One seater</b>					
<b>EW31B4</b>					
B4 arms	EW31B4AMN	3190.00	1499.30	1595.00	1722.60
<b>Two seater</b>					
<b>EW32</b>					
No arms	EW32AMN	3674.00	1726.78	1837.00	1983.96

## OPTIONS

### LEGS



**B**  
White Metal



**N**  
Black Metal

### CODIFICATION

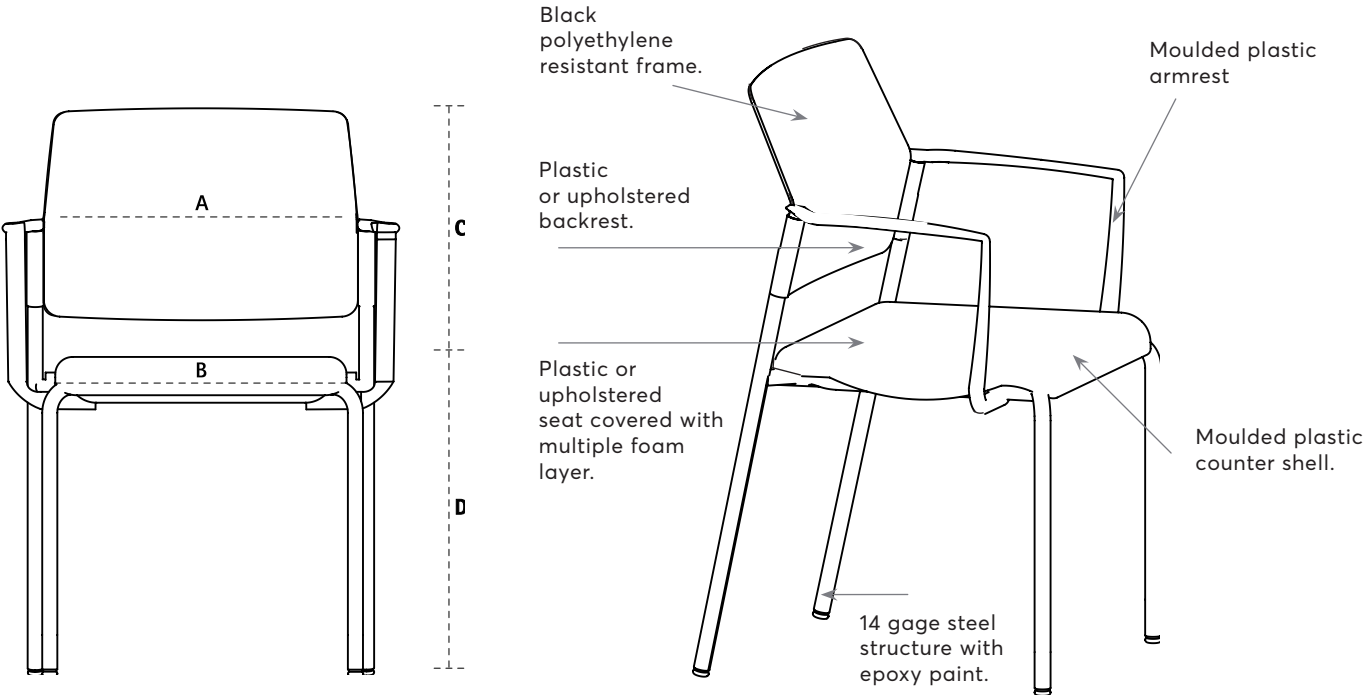
EW31B4	A	MN	Grade A
Model	Options	Legs	Fabric

## **C-23 SEATING:**

SIDE CHAIRS

# DEXTRA

## SIDE CHAIR



DR



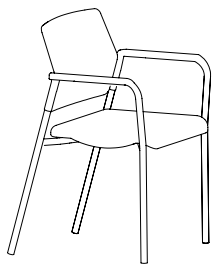
Upholstered backrest and seat

### DIMENSIONS (inches)

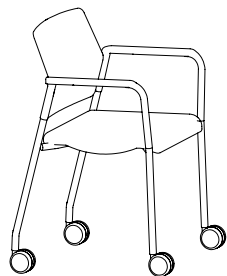
	A Backrest width	B Seat width	C Backrest height from seat	D Seat height from floor	E Functional seat depth	F Overall depth	Fabric (yds)	Leather (ft <sup>2</sup> )	Weight (lbs)	Cubic (ft <sup>3</sup> )
DR30	17	17 1/2	15 1/2	18	16	21	0.95	18	26	14.81
DR31	17	17 1/2	15 1/2	18	16	21	0.95	18	26	14.81

# DEXTRA

## SIDE CHAIR



**DR30**



**DR31**

MODEL	CODE	LIST PRICE / Grade A	Dock Delivery	Inside Delivery	Delivered & Installed
			53%	50%	46%
<b>Upholstered backrest and seat (DR)</b>					
<b>DR30</b> No arms	DR30N	574.00	269.78	287.00	309.96
<b>DR31</b> No arms	DR31N-SW	669.00	314.43	334.50	361.26

## OPTIONS

### OTHERS



**P**  
Four legged  
platinum base



**N**  
Four legged  
black base



**SW**  
Hard floor caster

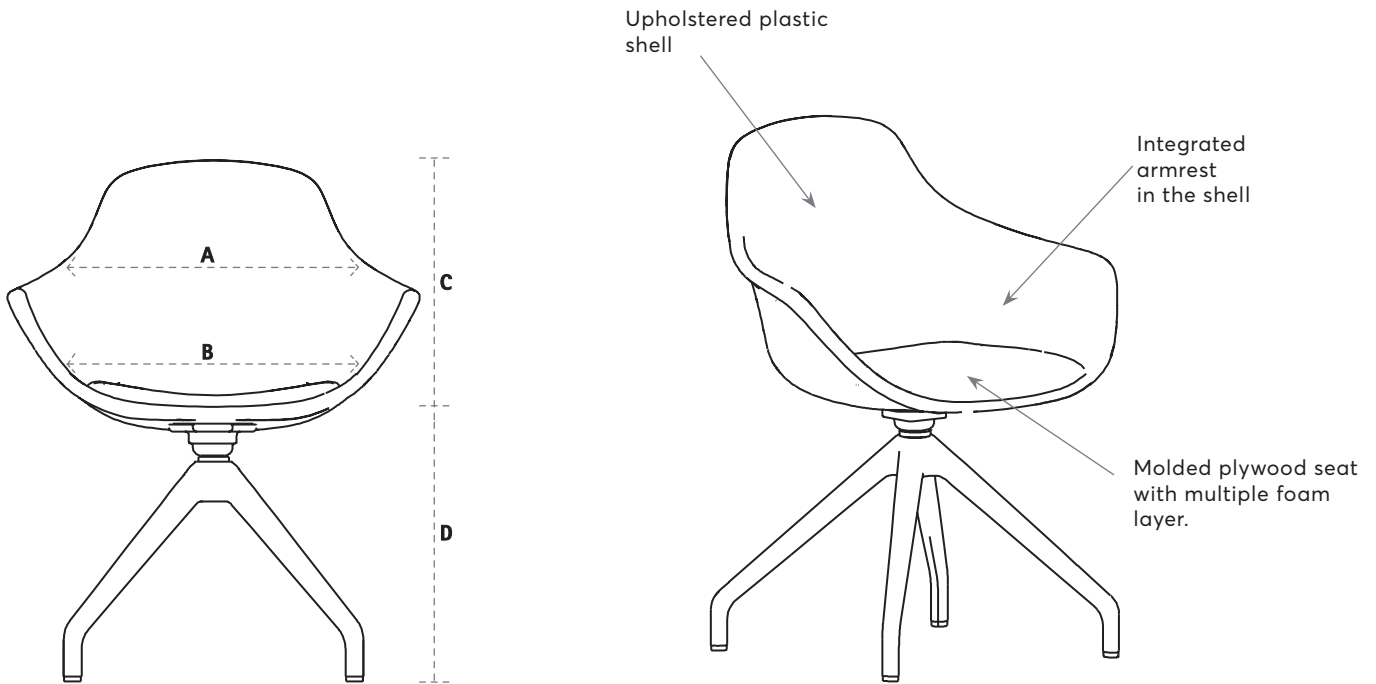
### CODIFICATION

<b>DR30</b>	<b>N</b>	<b>SW</b>	<b>Grade A</b>
Model	Base color	Option	Fabric



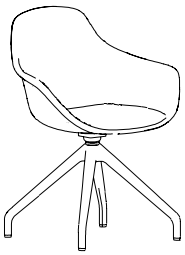
## **C-23 SEATING:**

LOW BACK CHAIR



### DIMENSIONS (inches)

	A Backrest width	B Seat width	C Backrest height from seat	D Seat height from floor	E Functional seat depth	F Overall depth	Fabric (yds)	Leather (ft <sup>2</sup> )	Weight (lbs)	Cubic (ft <sup>3</sup> )
LYE43	18	18	15 1/2	18 3/4	16 1/2	26	0.75	12.75	16.5	14.81
LYE44	18	18	15 1/2	18 3/4	16 1/2	18	0.75	12.75	17.5	14.81



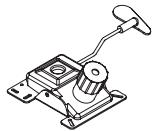
**LYE43**

MODEL	CODE	LIST PRICE / Grade A	Dock Delivery	Inside Delivery	Delivered & Installed
			<b>53%</b>	<b>50%</b>	<b>46%</b>
<b>Caster base</b>					
<b>LYE43</b> 4 star base	<b>LYEN43N</b>	908.00	426.76	454.00	490.32
<b>LYE44</b> Wood base	<b>LYEN44E</b>	1 062.00	499.14	531.00	573.48

**OPTIONS**

**MECHANISMS (SEE P. 6-7)**

**PLASTIC SHELL**



**P5**  
Swivel-tilt



**B**  
White



**N**  
Black

**BASE**



**B**  
White  
(Plastic)



**N**  
Black  
(Plastic)



**L**  
Light Walnut  
(Wood)



**W**  
Walnut  
(Wood)



**E**  
Natural  
(Wood)



**N**  
Black  
(Wood)

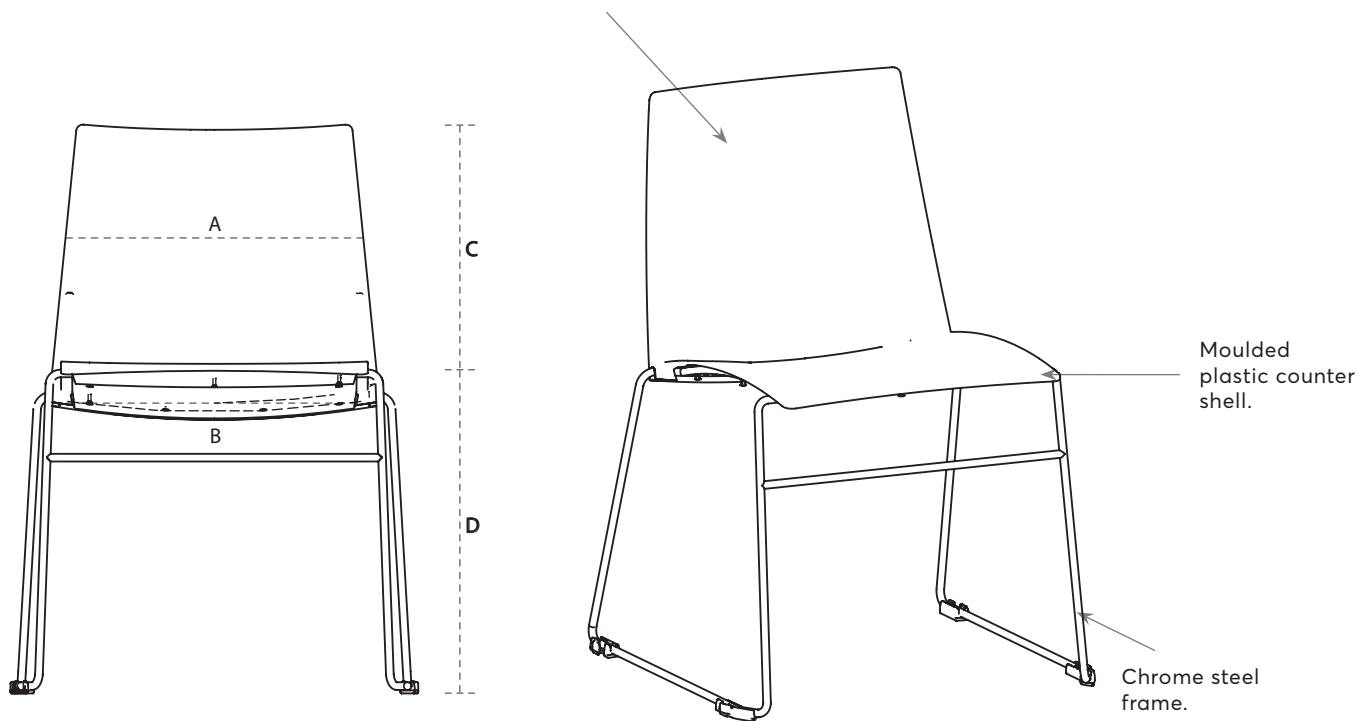
**CODIFICATION**

<b>LYEN43</b>	<b>N</b>	<b>Grade A</b>
Model	Base	Fabric

## **C-23 SEATING:**

STACKABLE CHAIR

Durable and comfortable plastic backrest and seat, many colors available.



**VP**



Plastic backrest and seat

**VE**



Plastic backrest, upholstered seat

**VU**



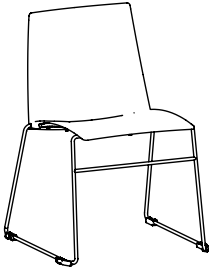
Upholstered backrest and seat

### DIMENSIONS (inches)

	A Backrest width	B Seat width	C Backrest height from seat	D Seat height from floor	E Functional seat depth	F Overall depth	Fabric (yds)	Leather (ft <sup>2</sup> )	Weight (lbs)	Cubic (ft <sup>3</sup> )
VP*20 / 21	17	17	16	18	17	21½	N/A	N/A	8	11,05
VE*20 / 21	17	17	16	18	17	21½	0,75	15	8	11,05
VU20	17	17	16	18	17	21½	1,15	22	8	11,05

# VIBE

## STACKABLE CHAIR



VP20



VP21

MODEL	CODE	LIST PRICE / Grade A	Dock Delivery	Inside Delivery	Delivered & Installed
			<b>53%</b>	<b>50%</b>	<b>46%</b>
<b>Plastic seat and backrest</b>					
Sled base	VP*20C	534.00	250.98	267.00	288.36
4 legs	VP*21C	633.00	297.51	316.50	341.82
<b>Plastic backrest and upholstered seat</b>					
Sled base	VE*20C	732.00	344.04	366.00	395.28
4 legs	VE*21C	791.00	371.77	395.50	427.14
<b>Upholstered seat and backrest</b>					
Sled base	VU*20C	760.00	357.20	380.00	410.40

## OPTIONS

### PLASTIC SHELL



**B**  
White backrest  
and seat



**R**  
Red backrest  
and seat



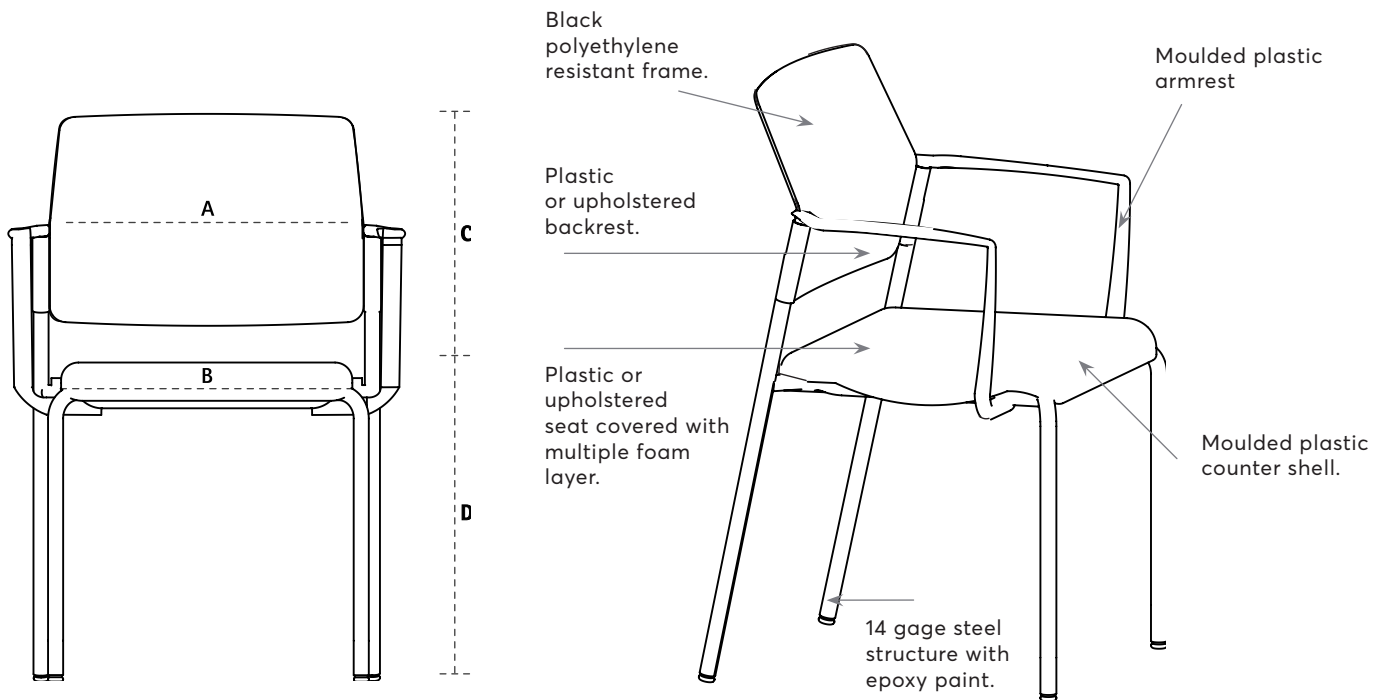
**F**  
Charcoal  
backrest and  
seat



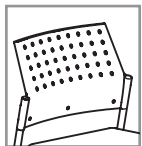
**N**  
Black backrest  
and seat

### CODIFICATION

VP	N	20	C	Grade A
Serie	Plastic color	Model	Base color	Fabric

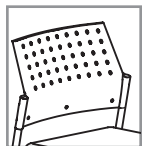


DP



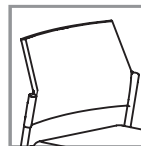
Plastic backrest and seat

DE



Plastic backrest, upholstered seat

DR



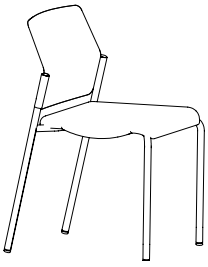
Upholstered backrest and seat

### DIMENSIONS (inches)

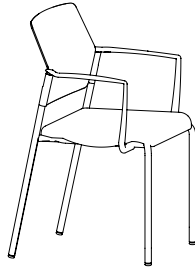
	A Backrest width	B Seat width	C Backrest height from seat	D Seat height from floor	E Functional seat depth	F Overall depth	Fabric (yds)	Leather (ft <sup>2</sup> )	Weight (lbs)	Cubic (ft <sup>3</sup> )
DE/DP/DR20	17	17 1/2	15 1/2	18	16	21	0.70	14	20	11.05
DP30	17	17 1/2	15 1/2	18	16	21	0.70	14	20	11.05

# DEXTRA

## STACKABLE CHAIR



**DR20**



**DP30**

MODEL	CODE	LIST PRICE / Grade A	Dock Delivery	Inside Delivery	Delivered & Installed
			<b>53%</b>	<b>50%</b>	<b>46%</b>
<b>Upholstered backrest and seat (DR)</b>					
<b>DR20*</b> No arms	DR20*	512.00	240.64	256.00	276.48
<b>Plastic backrest and upholstered seat (DE)</b>					
<b>DE20*</b> No arms	DE20*	467.00	219.49	233.50	252.18
<b>Plastic backrest and seat (DP)</b>					
<b>DP20*</b> No arms	DP20*	406.00	190.82	203.00	219.24
<b>DP30*</b> With arms	DP30*	470.00	220.90	235.00	253.80

## OPTIONS

### OTHERS



**P**  
Four legged  
platinum base



**N**  
Four legged  
black base

### CODIFICATION

DE30	N	S	Grade A
	Option	Fabric	

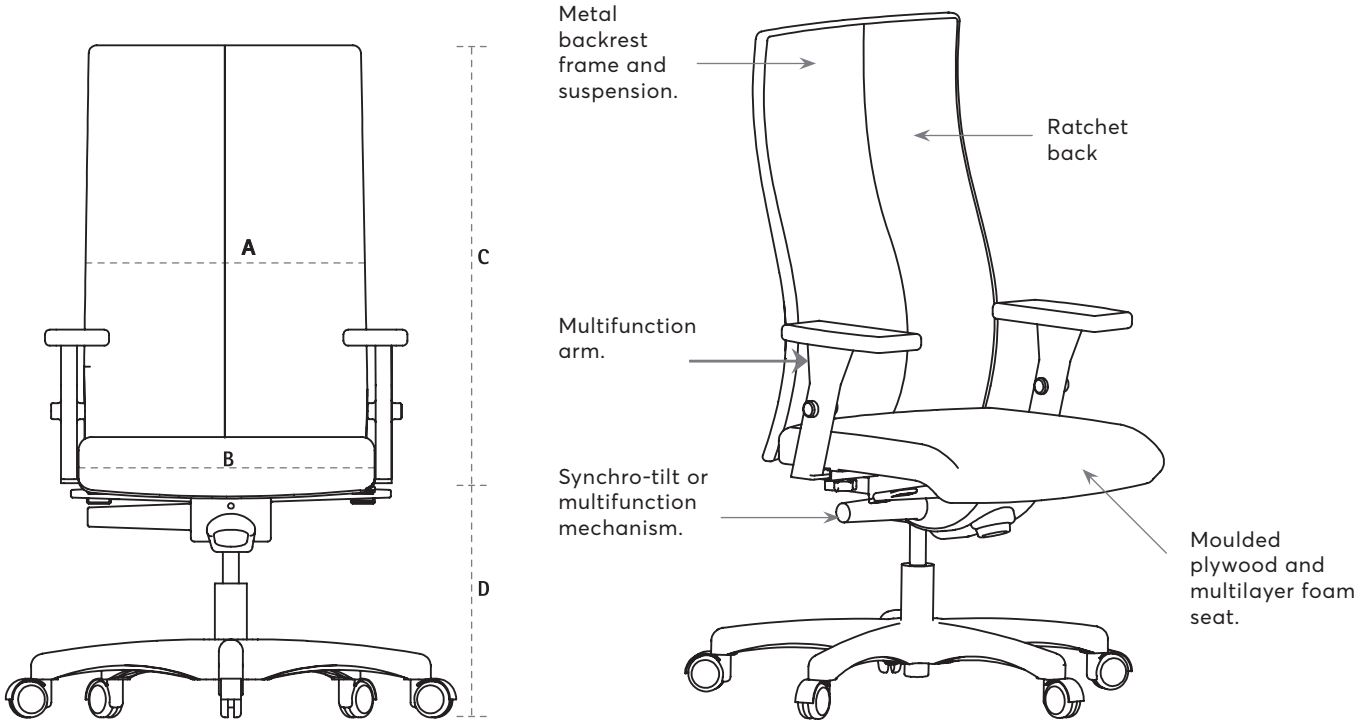


## **C-23 SEATING:**

TASK CHAIR

# LEAD X

## TASK CHAIR



SF



Mesh backrest

SL



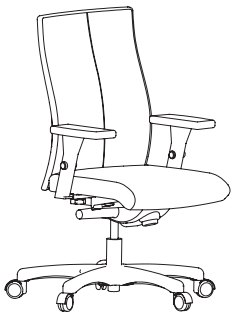
Slim backrest

### DIMENSIONS (inches)

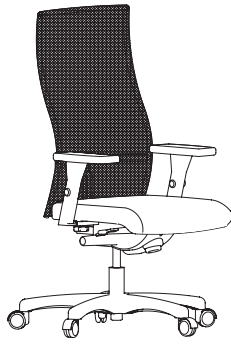
	A Backrest width	B Seat width	C Backrest height from seat	D Seat height from floor	E Functional seat depth	F Overall depth	Fabric (yds)	Leather (ft <sup>2</sup> )	Weight (lbs)	Cubic (ft <sup>3</sup> )
SL50	18	18 1/2	19 1/2 - 22	17 - 20 1/2	17 1/2	26	1.40	26	49	16.77
SF90	18	18 1/2	23 1/2 - 26	17 - 20 1/2	17 1/2	26 1.45	28	52	21.83	13.51

\*\* For the mesh back model, less fabric is needed.

SF*	0.70	14
-----	------	----



**SL50**



**SF90**

MODEL	CODE	MECHANISM	LIST PRICE / Grade A	Dock Delivery	Inside Delivery	Delivered & Installed
				<b>53%</b>	<b>50%</b>	<b>46%</b>
<b>SLIM</b>						
<b>Mid-back</b>						
<b>SL50</b>						
M arms	SL50NMPZ-SW	Synchro-tilt	1 232.00	579.04	616.00	665.28
<b>MESH</b>						
<b>Intermediate-back</b>						
<b>SF90</b>						
M arms	SF90NMPZ-SW	Synchro-tilt	1211.00	569.17	605.50	653.94

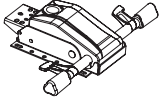
# LEAD X

TASK CHAIR

## OPTIONS

### MECHANISMS (SEE P. 4-5)

---



**PZ**  
Synchro-tilt with  
seat slider

### ERGONOMIC ARM (SEE P. 6-7)

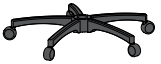
---



**M**  
5 functions

### OTHERS

---



**N**  
Black base

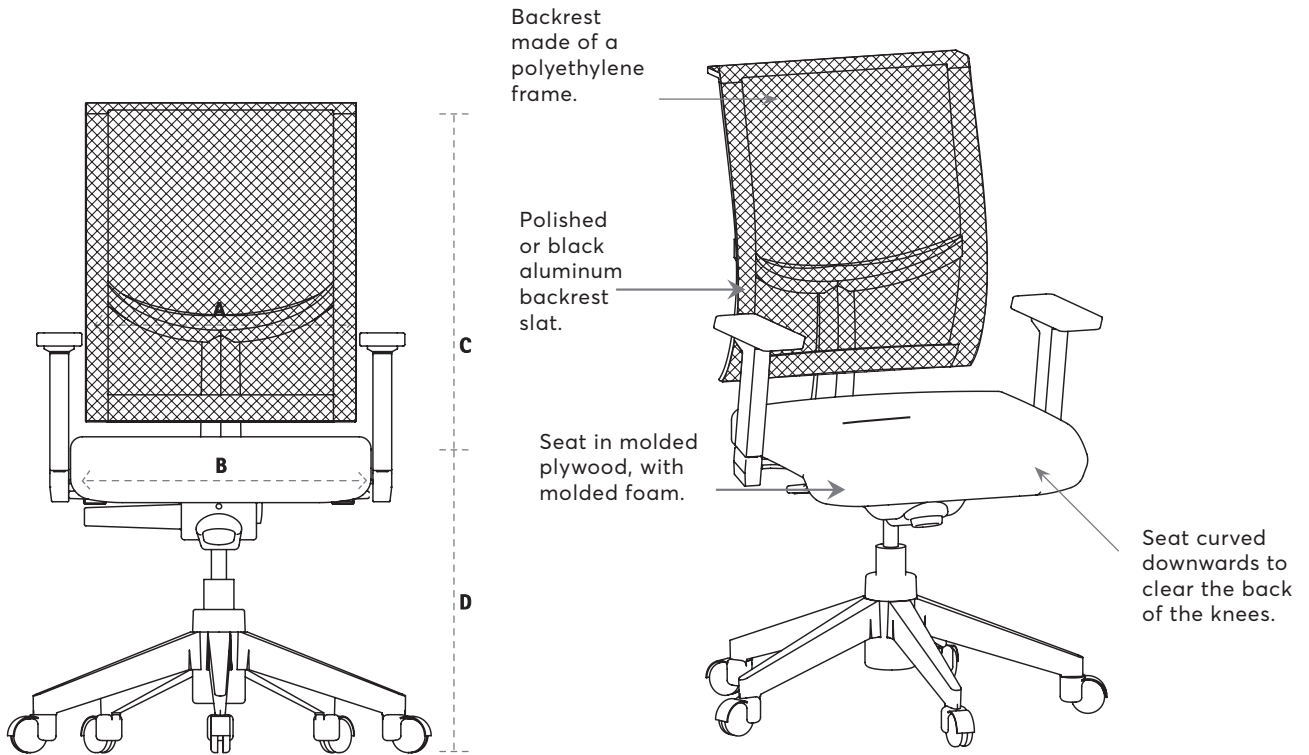


**SW**  
Hard floor caster

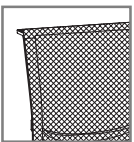
### CODIFICATION

---

<b>SF50</b>	<b>N</b>	<b>D</b>	<b>PZ</b>	<b>SW</b>	<b>Grade A</b>
Model	Base color	Armrest	Mechanism	Option	Fabric



**EF**



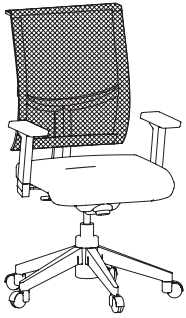
Mesh backrest and upholstered seat

**DIMENSIONS (inches)**

	<b>A</b> Backrest width	<b>B</b> Seat width	<b>C</b> Backrest height from seat	<b>D</b> Seat height from floor	<b>E</b> Functional seat depth	<b>F</b> Overall depth	Fabric (yds)	Leather (ft <sup>2</sup> )	Weight (lbs)	Cubic (ft <sup>3</sup> )
<b>EFN40</b>	18	19	24 1/2	17 1/2-20	18	24	0.7	14	52	16.77

# FX

## TASK CHAIR

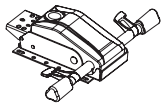


### EF40

MODEL	CODE	MECHANISM	LIST PRICE / Grade A	Dock Delivery	Inside Delivery	Delivered & Installed
				53%	50%	46%
<b>Black base</b>						
<b>EFN40</b>						
M arms	EFN40NMPZ-SW	Synchro-tilt	1 274.00	598.78	637.00	687.96

## OPTIONS

### MECHANISMS (SEE P. 4-5)



**PZ**  
Synchro-tilt with  
seat slider

### ERGONOMIC ARM (SEE P. 6-7)



**M**  
5 functions

### OTHERS



**N**  
Black base



**SW**  
Hard floor caster

### CODIFICATION

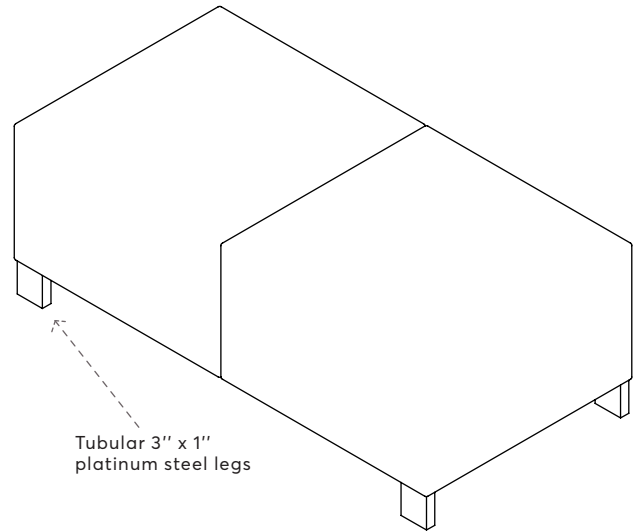
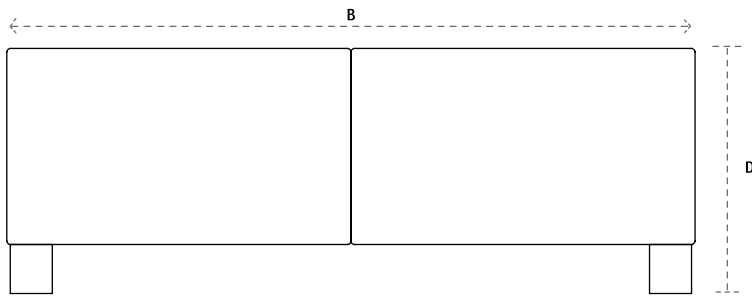
<b>EFN40</b>	<b>N</b>	<b>M</b>	<b>PZ</b>	<b>SW</b>	<b>Grade A</b>
Model	Base color	Armrest	Mechanism	Option	Fabric

## **C-23 SEATING:**

BENCHES

# BLOK

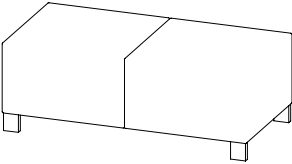
## BENCHES



### DIMENSIONS (inches)

	A Backrest width	B Seat width	C Backrest height from seat	D Seat height from floor	E Functional seat depth	F Overall depth	Fabric (yds)	Leather (ft <sup>2</sup> )	Cubic (ft <sup>3</sup> )
BL12	-	49 1/8	-	17 1/2	24 9/16	24 9/16	2.45	44	16.13





## BL12

MODEL	CODE	LIST PRICE / Grade A	Dock Delivery	Inside Delivery	Delivered & Installed
BL12			53%	50%	46%
No arms	BL12N	2 060.00	968.20	1 030.00	1 112.40

## OPTIONS

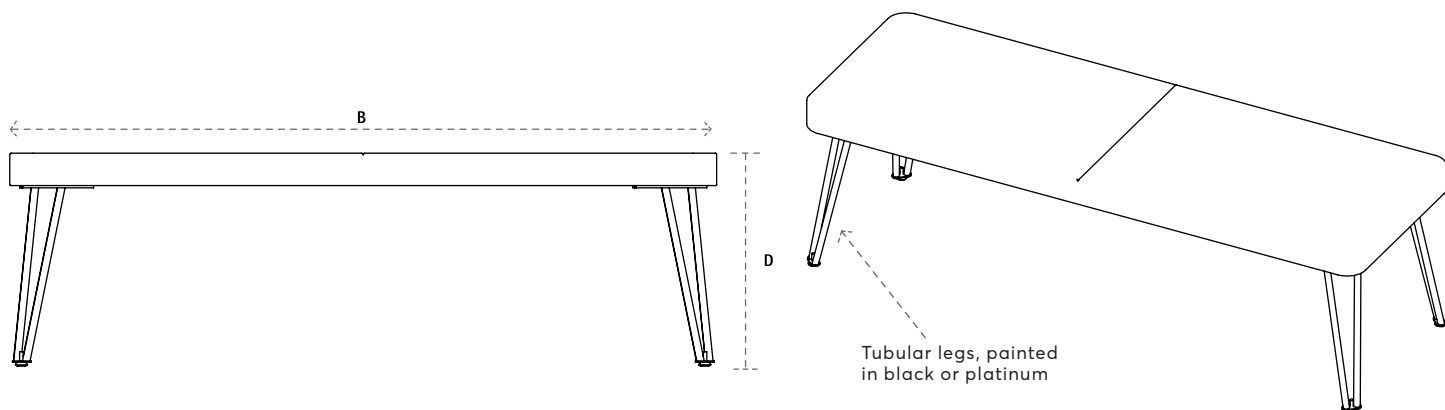
### OTHERS



**N**  
Black legs

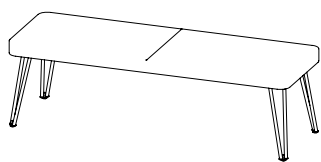
### CODIFICATION

<b>BL12</b>	<b>N</b>	<b>Grade A</b>
Model	Base	Fabric



### DIMENSIONS (inches)

	A Backrest width	B Seat width	C Backrest height from seat	D Seat height from floor	E Functional seat depth	F Overall depth	Fabric (yds)	Leather (ft2)	Cubic (ft3)
FA12	-	60	-	17 1/2	20	20	2.35	42	4.30



**FA12**

MODEL	CODE	LIST PRICE / Grade A	Dock Delivery	Inside Delivery	Delivered & Installed
FA12			<b>53%</b>	<b>50%</b>	<b>46%</b>
No arms	FA12N	1 451.00	681.97	725.50	783.54

**OPTIONS**

**OTHERS**



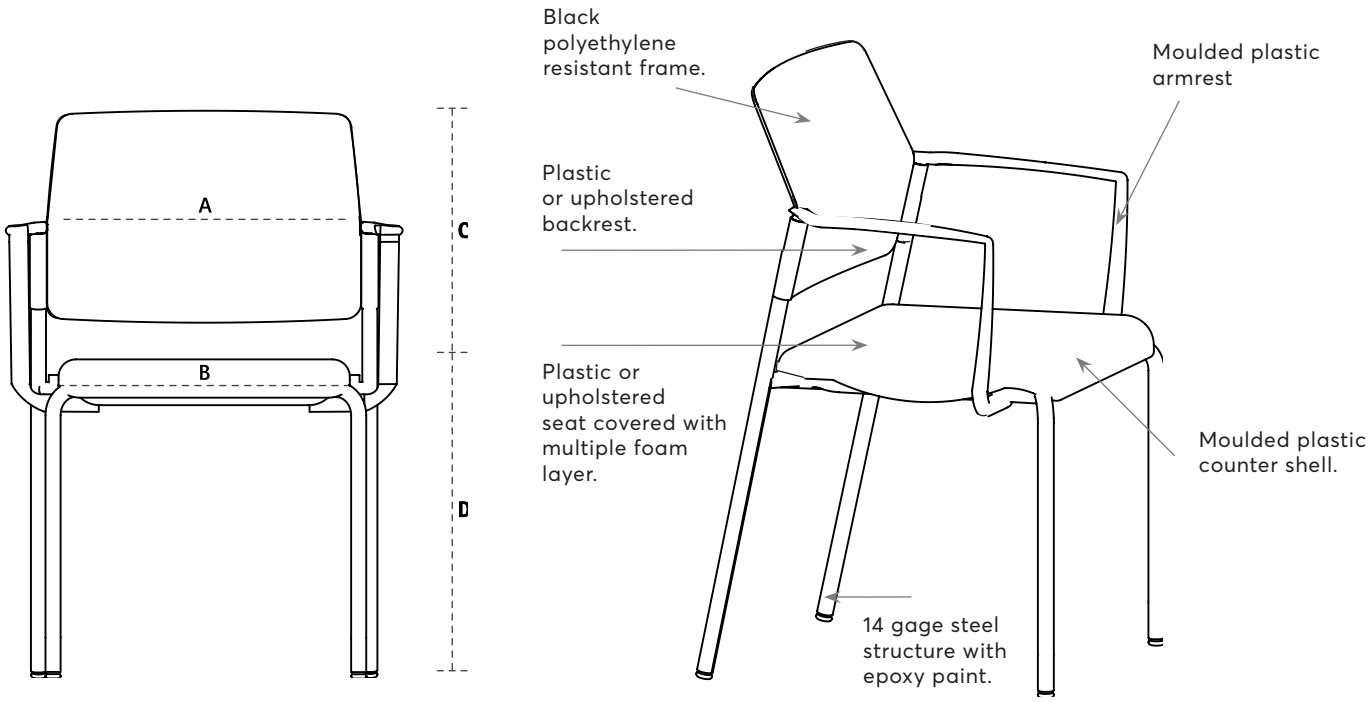
**N**  
Black legs

**CODIFICATION**

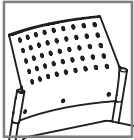
<b>FA12</b>	<b>N</b>	<b>Grade A</b>
Model	Base	Fabric

## **C-23 SEATING:**

STOOLS



**DP**



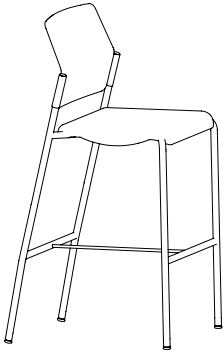
Plastic backrest and seat

**DIMENSIONS (inches)**

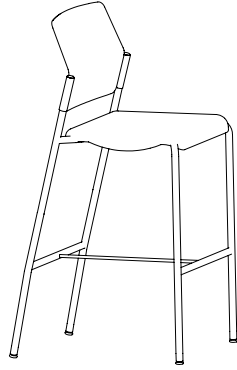
	A Backrest width	B Seat width	C Backrest height from seat	D Seat height from floor	E Functional seat depth	F Overall depth	Fabric (yds)	Leather (ft <sup>2</sup> )	Weight (lbs)	Cubic (ft <sup>3</sup> )
DP24	17	17 1/2	15 1/2	26	16	23 1/2	0.70	14	30	21.83
DP25	17	17 1/2	15 1/2	30	16	23 1/2	0.70	14	28	21.83
DP82	17	17 1/2	15 1/2	23 1/2 - 33 1/2	16	24	0.70	14	38	14.81

# DEXTRA

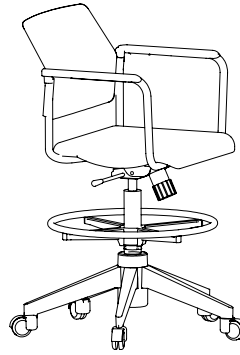
## STOOLS



DP35



DP35

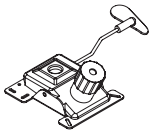


DP82

MODEL	CODE	MECHANISM	LIST PRICE / Grade A	Dock Delivery	Inside Delivery	Delivered & Installed
				53%	50%	46%
<b>Plastic backrest and seat (DP)</b>						
<b>DP24</b>						
No arms	DP24N	-	592.00	278.24	296.00	319.68
<b>DP25</b>						
No arms	DP25N	-	592.00	278.24	296.00	319.68
<b>DP82</b>						
No arms	DP82NP5-SW	Swivel-tilt	899.00	422.53	449.50	485.46

## OPTIONS

### MECHANISMS (SEE P. 6-7)



### OTHERS



**N**  
Black base



**SW**  
Hard floor caster

### CODIFICATION

DP82	N	P5	SW	Grade A
Model	Base	Mechanism	Option	Fabric

# TERMS AND CONDITIONS OF SALE

## PRICES

All prices are subject to change without notice. Invoiced prices are based on current list prices at the time of order entry. List prices do not include taxes, storage, insurance charges or installation.

## TERMS

Conditions of payment are 1%, 10 days and net 30 days. Delinquent accounts are subject to a 1.5 % per month charge or the largest amount permitted by law, whichever is less. Rouillard reserves the right to delay or cancel any shipment for delinquent accounts as well as refuse any order from a dealer whose account is delinquent. Where credit terms have not been established, payment in full must be received at time of order placement.

## ORDER CONFIRMATION

All orders are confirmed by Rouillard with an acknowledgment prior to production. Rouillard manufactures, delivers and invoices based on the information on the Order Confirmation. The Order Confirmation, together with these Terms and Conditions, is intended as a complete, exclusive and final statement of the terms and conditions of agreement between Rouillard and the purchaser.

## ORDER PLACEMENT

Rouillard requires all orders to be in writing to avoid any error or duplications. Telephone or verbal orders are not accepted.

**CHANGE AND/OR CANCELLATION** of orders may not be changed or cancelled by the purchaser without the written consent of Rouillard. A cancellation or restocking charge, up to the total value of the order is applicable on orders being cancelled or changed.

## SHIPMENT DEFERRAL AND STORAGE

If you or your customer is unwilling or unable to accept delivery when the order is ready for shipment, Rouillard will transfer the product to storage. If the customer does not designate a storage site, Rouillard will transfer the goods to an appropriate location. Upon transferring to storage, goods are deemed to be delivered and we reserve the right to invoice as of that date and to store merchandise at the client's. The dealer will be billed for storage of the product.

## DAMAGE RESPONSIBILITY

Rouillard inspects all goods and packaging at the factory, before shipping. The responsibility or Rouillard regarding damage stops when goods are loaded in the carrier vehicle and title is passed to the purchaser at that time.

## SHIPMENT DAMAGE CLAIMS

All Rouillard's products are carefully inspected prior to shipping and are packaged according to ISO 9001: 2000 standards. Rouillard is not responsible for damage to goods which may occur in transit or storage.

Any damage or shortage must be noted on the bill of lading and it is the purchaser's responsibility to inform Rouillard. The receiver does not have the right to refuse receipt of the goods as title has already been changed. All packaging must be retained and available for inspection and the goods must be left at the original delivery point. Carrier liability ceases after 5 working days and neither Rouillard nor the carrier will be responsible for concealed damage if shipments are left unopened.

## MISCELLANEOUS CLAIMS

Claims against Rouillard, other than valid warranty claims, must be made in writing, within 5 days after delivery. Failure to make a written claim against Rouillard within 5 working days will constitute acceptance of the goods and a waiver of any shortage, errors or other claims.

# TERMS AND CONDITIONS OF SALE

## WARRANTY

Rouillard warrants all products for 10 years with exception of fabric and leather (that are 1 year), 5 years for gas cylinder, plastic components, tables, armrest, 24/Plus Collection chairs. Rouillard will repair any defect which occurred in production; replace any faulty parts or components with comparable product and correct any flaw resulting from normal use of the product, free of charge. This warranty does not apply to damage made in shipment or storage or resulting from accident, misuse, alteration, tampering, negligence abuse or use in severe weather conditions. The modification alteration or substitution of component, assemblies or any product other than those supplied by Rouillard, without prior written authorization from Rouillard, shall void this warranty.

This warranty is the customer's sole remedy for products defect and Rouillard will not consider any other agreement that could be used as a warranty or as an interpretation of Rouillard's warranty. This warranty does not apply to incidental, economic or exemplary damage arising from any product defect.

To obtain benefit of this warranty, a written claim must be made to Rouillard, including description of the merchandise, claimed defect, and proof of delivery.

## RETURNS

No return of goods will be accepted without written consent must have a RGA # and shipping instructions from Rouillard. Approved returns, for reasons other than valid warranty claims, will be subject to shipping, handling and substantial restocking and restoration charges.

## OPTIONS AND SPECIFICATIONS

Specifications and options are subject to change without prior notice.

## GOVERNING LAW

All orders and purchases of Rouillard's products shall be governed in all respect by the laws of the Province of Quebec.

---

## OFFICE AND FACTORY

**Les Industries Rouillard Inc.**  
363, boul. des Chutes  
Québec (Québec) Canada  
G1E 3G1

Telephone : 1 418 663-1411  
1 855 459-1954  
Fax : 1 418 666-9619  
Web Site : [www.rouillard.ca](http://www.rouillard.ca)  
E-Mail : [info@rouillard.ca](mailto:info@rouillard.ca)

## ORDER

[order.entry@rouillard.ca](mailto:order.entry@rouillard.ca)

## SOCIAL MEDIA

