

ROUILLARD

WORKPLACE SAVOIR-FAIRE

**STATE OF GEORGIA
CONTRACT**

PRICE LIST AUGUST 2023

99999-001-SPD0000198

TABLE OF CONTENTS

BY APPLICATION

Ergonomics	3
Mechanisms	4
Armrests	5

ARMLESS

Vibe	7
Dextra	9
Zetti	11

CONFERENCE

Lead X	14
Classic	17

EXECUTIVE

Rivo	21
Lead	24
Lead X	27
Classic	29

MID BACK

FX	32
Rivo	34
Lead X	36
Classic	38

LOW BACK

Lead side	42
Ely	45

LOUNGE

Campus	48
Zetti	50
Bily	52
Coast	54
Blok	56
Geo	58
Eva Flow	60

SIDE

Dextra	63
Ely	66

STACKABLE

Vibe	69
Dextra	71

TASK

Lead X	74
FX	77

BENCHES

Blok	80
Zetti	82

STOOL

Dextra	85
--------------	----

FEATURES OF A GOOD ERGONOMIC CHAIR

In addition to being comfortable, a good ergonomic chair should come with various standard adjustments to adapt to different body types.

SEAT HEIGHT:

- Should be easily adjustable using a pneumatic adjustment lever.
- Should allow the user to comfortably rest his feet flat on the floor, keep his thighs horizontal and his forearms at the same height as the work surface or desk top without having to raise his shoulders.

SEAT WIDTH AND DEPTH:

- The seat should be sufficiently wide and deep to comfortably support the user.
- An optional seat slider may be offered to adjust the depth of the chair seat.
- The front of the seat should be curved downward to create a space between the back of the knees and the seat.

SEAT ANGLE:

- This option allows to adjust the seat angle in proportion with the backrest angle.

LUMBAR SUPPORT:

- The backrest must provide comfortable support for the lower back.

BACKREST CURVE, HEIGHT AND ANGLE:

- The backrest curve should hug the natural curve of the spine.
- The backrest angle and height should be adjustable when the backrest is not attached directly to the seat (one piece seat and back).

ARMRESTS:

- Armrest height should be adjustable to support elbows and forearms so that the user does not have to lower or raise his shoulders (which should remain relaxed).
- Should be cushioned for better comfort and not interfere with the work surface.
- Their width and depth may be adjustable and may swivel.

CHAIR SWIVEL:

- To allow the user to reach different parts of his work space without having to stretch or get up.

QUALITY MATERIAL:

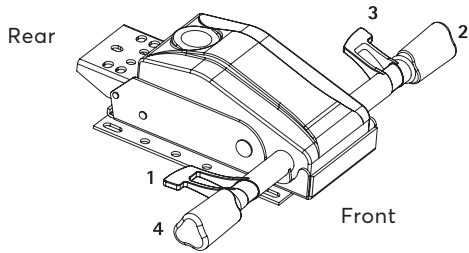
- Sufficiently dense and thick foam to provide optimal comfort for extended periods.
- Quality covering material that allows air flow between the chair and the user.
- Solid, sturdy structure that provides stable support for the user.



MECHANISMS

SYNCHRO-TILT MECHANISM

PZ

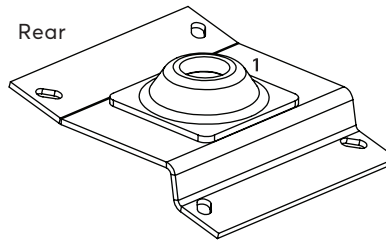


1. Seat slider
2. Tension adjustment
3. Pneumatic height (cylinder)
4. Infinite Backrest and seat
4 positions tilt-lock

AVAILABLE ON:
- FX
- Lead
- Rivo

LOUNGE MECHANISM

P4

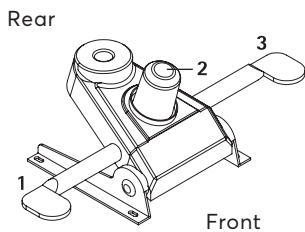


1. Swivel-tilt (autoreturn)

AVAILABLE ON:
- Classic

KNEE-TILT MECHANISM

PD

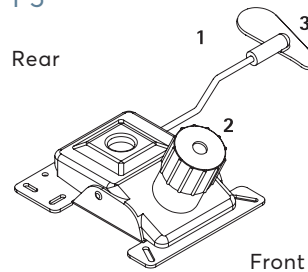


1. Infinite backrest and seat
5 positions tilt lock
2. Tension adjustment
3. Pneumatic height (cylinder)

AVAILABLE ON:
- Classic
- FX
- Lead
- Lead X
- Rivo

CONFERENCE MECHANISM

P5

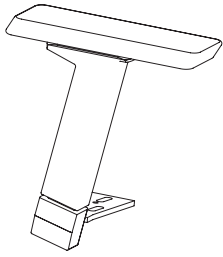


1. Pneumatic height (cylinder)
2. Tension adjustment
3. Vertical seat tilt lock

AVAILABLE ON:
- Dextra
- Link
- FX
- Lead
- Ely
- Rivo
- Lead X

ARMRESTS

7



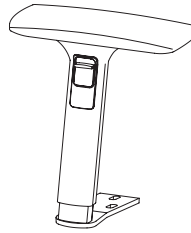
DESCRIPTION :

- Urethane armrest
- Height and width adjustable
- Back/front adjustable

AVAILABLE ON :

- Lead
- FX
- Lead X
- Rivo

M



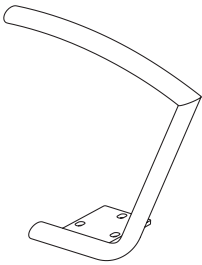
DESCRIPTION :

- Urethane armrest
- Height and width adjustable
- Inward/outward armrest swivel
- Back/front adjustable

AVAILABLE ON :

- FX
- Rivo
- Lead
- Lead X

W



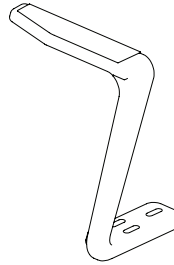
DESCRIPTION :

- Fixed armrest
- Available : Black - chrome

AVAILABLE ON :

- Classic
- Urbex
- FX
- Lead
- Lead X
- Rivo

A



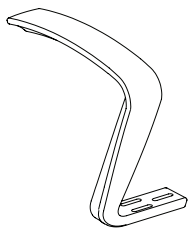
DESCRIPTION :

- Fixed armrest with urethane surface

AVAILABLE ON :

- FX
- Lead X
- Lead

P



DESCRIPTION :

- Fixed urethane armrest

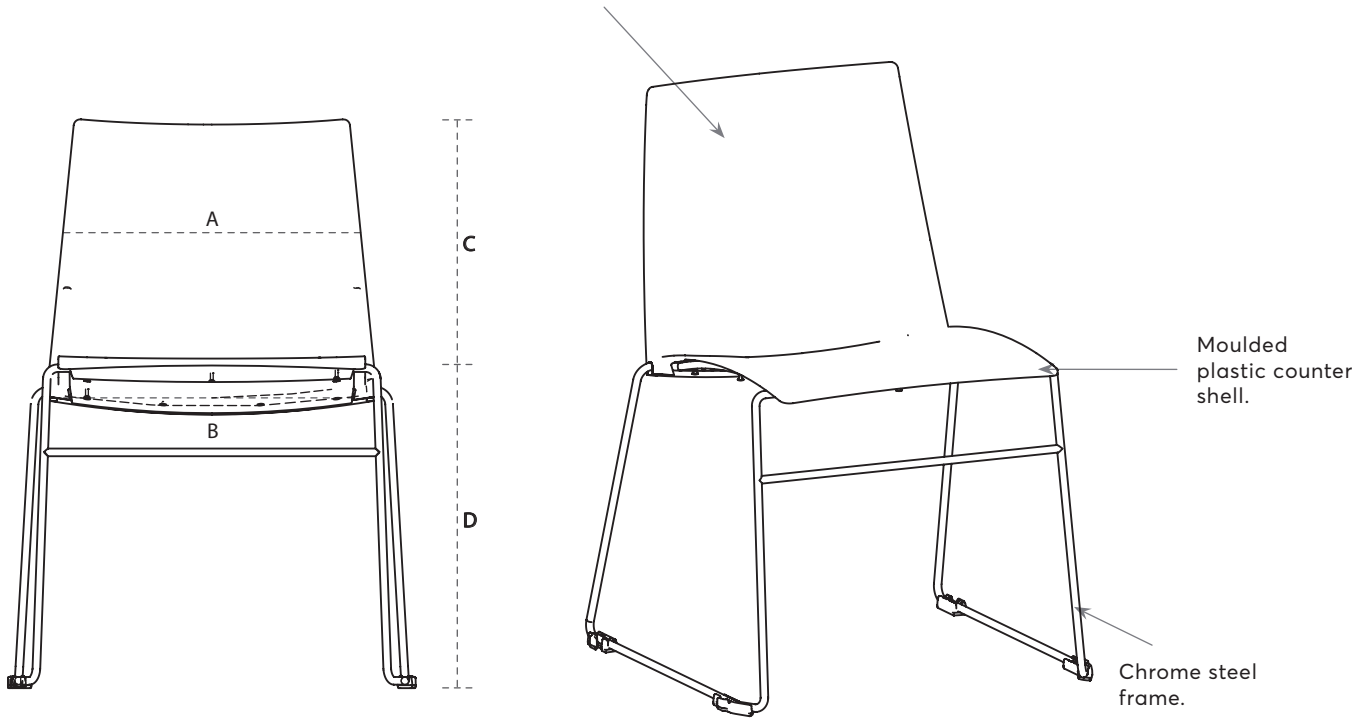
AVAILABLE ON :

- FX
- Lead
- Lead X
- Spyder

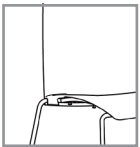
C-23 SEATING:

ARMLESS CHAIRS

Durable and comfortable plastic backrest and seat, many colors available.



VP



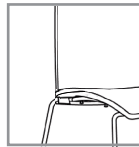
Plastic backrest and seat

VE



Plastic backrest, upholstered seat

VU



Upholstered backrest and seat

DIMENSIONS (inches)

	A Backrest width	B Seat width	C Backrest height from seat	D Seat height from floor	E Functional seat depth	F Overall depth	Fabric (yds)	Leather (ft ²)	Weight (lbs)	Cubic (ft ³)
VP*20 / 21	17	17	16	18	17	21½	N/A	N/A	8	11,05
VE*20 / 21	17	17	16	18	17	21½	0,75	15	8	11,05
VU20	17	17	16	18	17	21½	1,15	22	8	11,05

VIBE

ARMLESS CHAIR



VP20



VP21

MODEL	CODE	LIST PRICE / Grade A	Dock Delivery	Inside Delivery	Delivered & Installed
			53%	50%	46%
Plastic seat & backrest (VP)					
Sled base	VP*20C	485.00	227.95	242.50	261.90
4 legs	VP*21C	575.00	270.25	287.50	310.50
Upholstered seat and plastic back (VE)					
Sled base	VE*20C	665.00	312.55	332.50	359.10
4 legs	VE*21C	719.00	337.93	359.50	388.26
Upholstered seat & backrest (VU)					
Sled base	VU*20C	691.00	324.77	345.50	373.14

OPTIONS

OTHERS



B
White backrest
and seat



R
Red backrest
and seat



F
Charcoal
backrest and
seat



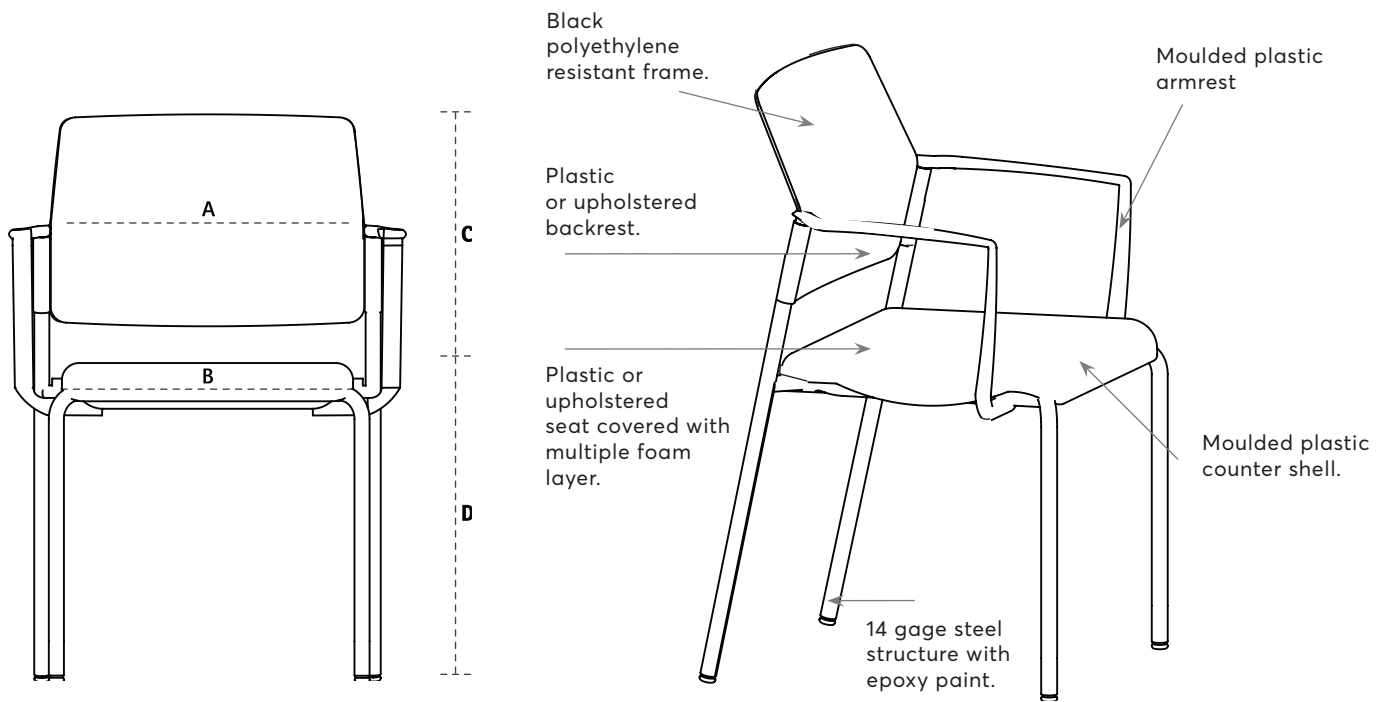
N
Black backrest
and seat

CODIFICATION

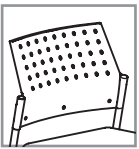
VP	N	20	C	Grade A
Serie	Plastic color	Model	Base color	Fabric

DEXTRA

ARMLESS CHAIR

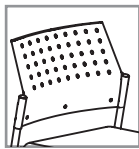


DP



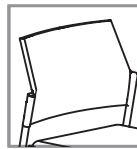
Plastic backrest and seat

DE



Plastic backrest, upholstered seat

DR



Upholstered backrest and seat

DIMENSIONS (inches)

	A Backrest width	B Seat width	C Backrest height from seat	D Seat height from floor	E Functional seat depth	F Overall depth	Fabric (yds)	Leather (ft ²)	Weight (lbs)	Cubic (ft ³)
DE/DP/DR20	17	17 1/2	15 1/2	18	16	21	0.70	14	20	11.05
DE/DP/DR21	17	17 1/2	15 1/2	18	16	21	0.70	14	20	11.05

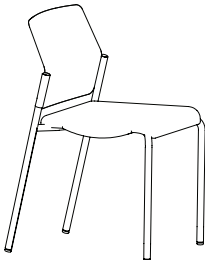
* For all the models DR upholstered seat-backrest, the quantity of fabric is higher.

0,95

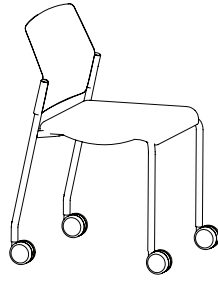
18

DEXTRA

ARMLESS CHAIR



DR20



DR21

MODEL	CODE	LIST PRICE / Grade A	Dock Delivery	Inside Delivery	Delivered & Installed
			53%	50%	46%
Upholstered backrest and seat (DR)					
DR20* 4 legs	DR20*	497.00	233.59	248.50	268.38
DR21* On casters	DR21*	561.00	263.67	280.50	302.94
On casters	DR21*-SW	585.00	274.95	292.50	315.90
Plastic backrest and upholstered seat (DE)					
DE20* 4 legs	DE20*	453.00	212.91	226.50	244.62
DE21* On casters	DE21*	517.00	242.99	258.50	279.18
On casters	DE21*-SW	541.00	254.27	270.50	292.14
Plastic backrest and seat (DP)					
DP20* 4 legs	DP20*	394.00	185.18	197.00	212.76
DP21* On casters	DP21*	460.00	216.20	230.00	248.40
On casters	DP21*-SW	484.00	227.48	242.00	261.36

OPTIONS

OTHERS



P
Four legged
platinum base



N
Four legged
black base



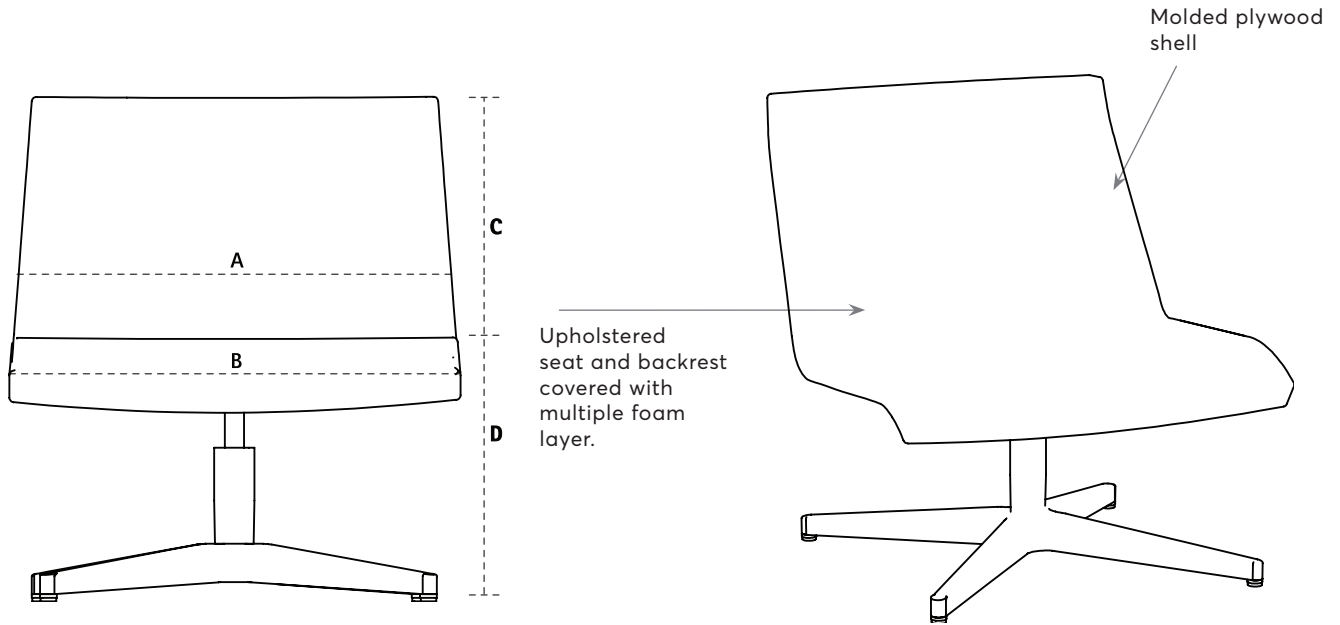
SW
Hard floor caster



-
Carpet caster

CODIFICATION

DE20	N	SW	Grade A
Model	Base color	Option	Fabric



DIMENSIONS (inches)

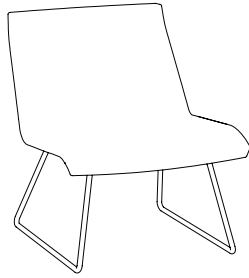
	A Backrest width	B Seat width	C Backrest height from seat	D Seat height from floor	E Functional seat depth	F Overall depth	Fabric (yds)	Leather (ft ²)
FA43	22	24	16	17 1/2	18	25	1.50	28
FA45	22	24	16	16 1/2	18	25	1.50	28

ZETTI

ARMLESS CHAIR



FA43

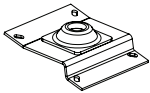


FA45

MODEL	CODE	MECHANISM	LIST PRICE / Grade A	Dock Delivery	Inside Delivery	Delivered & Installed
				53%	50%	46%
4 star base						
No arms	FA43*	Swivel	1457.00	684.79	728.50	786.78
Sled base						
No arms	FA45N	-	1184.00	556.48	592.00	639.36

OPTIONS

MECHANISMS (SEE P. 4-5)



P4
Lounge

BASE



B
White base
(FA43 only)



N
Black base

CODIFICATION

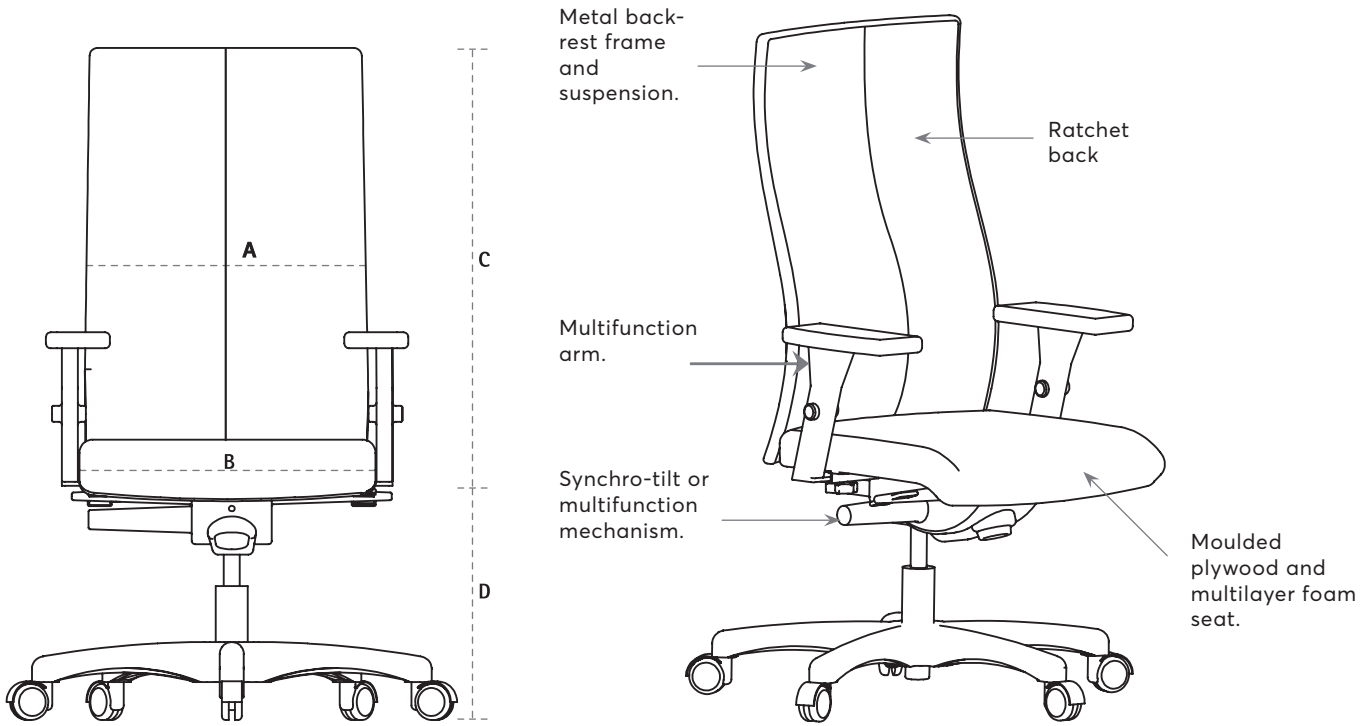
FA43	C	P4	Grade A
Model	Base color	Mechanism	Fabric

C-23 SEATING:

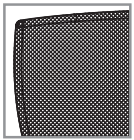
CONFERENCE ROOM CHAIRS

LEAD X

CONFERENCE ROOM



SF



Mesh backrest

SL



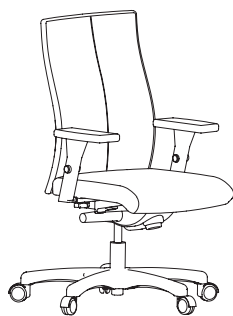
Slim backrest

DIMENSIONS (inches)

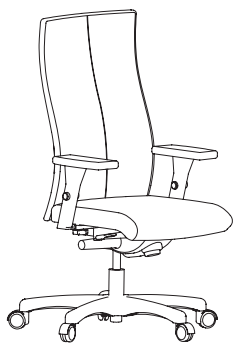
	A Backrest width	B Seat width	C Backrest height from seat	D Seat height from floor	E Functional seat depth	F Overall depth	Fabric (yds)	Leather (ft ²)	Weight (lbs)	Cubic (ft ³)
SF/SL50	18	18 1/2	19 1/2 - 22	17 - 20 1/2	17 1/2	26	1.40	26	49	16.77
SF/SL90	18	18 1/2	23 1/2 - 26	17 - 20 1/2	17 1/2	26 1.45	28	52	21.83	13.51

** For the mesh back model, less fabric is needed.

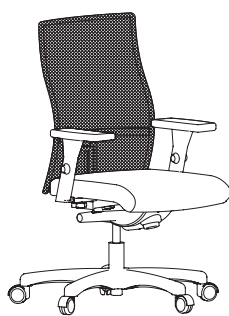
SF*	0.70	14
-----	------	----



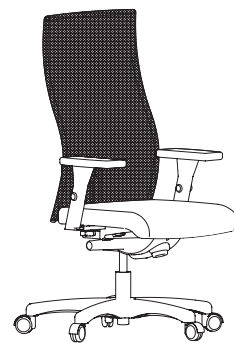
SL50



SL90



SF50



SF90

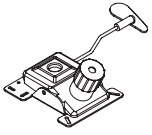
MODEL	CODE	MECHANISM	LIST PRICE / Grade A	Dock Delivery	Inside Delivery	Delivered & Installed
				53%	50%	46%
SLIM - Mid-back						
SL50						
6N arms	SL50N6NP5	Swivel-tilt	929.00	436.63	464.50	501.66
6N arms	SL50N6NP5-SW	Swivel-tilt	953.00	447.91	476.50	514.62
WN arms	SL50NWNP5	Swivel-tilt	941.00	442.27	470.50	508.14
WN arms	SL50NWNP5-SW	Swivel-tilt	965.00	453.55	482.50	521.10
SLIM - Intermediate-back						
SL90						
6N arms	SL90N6NP5	Swivel-tilt	942.00	442.74	471.00	508.68
6N arms	SL90N6NP5-SW	Swivel-tilt	966.00	454.02	483.00	521.64
7 arms	SL90N7PD	Knee-tilt	1 086.00	510.42	543.00	586.44
7 arms	SL90N7PD-SW	Knee-tilt	1 110.00	521.70	555.00	599.40
WN arms	SL90NWNP5	Swivel-tilt	954.00	448.38	477.00	515.16
WN arms	SL90NWNP5-SW	Swivel-tilt	978.00	459.66	489.00	528.12
MESH - Mid-back						
SF50						
6N arms	SF50N6NP5	Swivel-tilt	893.00	419.71	446.50	482.22
6N arms	SF50N6NP5-SW	Swivel-tilt	917.00	430.99	458.50	495.18
MESH - Intermediate-back						
SF90						
WN arms	SF90NWNP5	Swivel-tilt	922.00	433.34	461.00	497.88
WN arms	SF90NWNP5-SW	Swivel-tilt	946.00	444.62	473.00	510.84

LEAD X

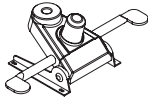
CONFERENCE ROOM

OPTIONS

MECHANISMS (SEE P. 4-5)



P5
Swivel-tilt



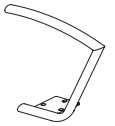
PD
Knee-tilt

ERGONOMIC ARM (SEE P. 6-7)



7
3 functions

FIXED ARM (SEE P. 6-7)

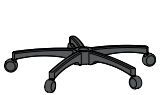


W
WN: black
WC: chrome



6
6N: black
6C: chrome

BASE



N
Black base



SW
Hard floor
caster



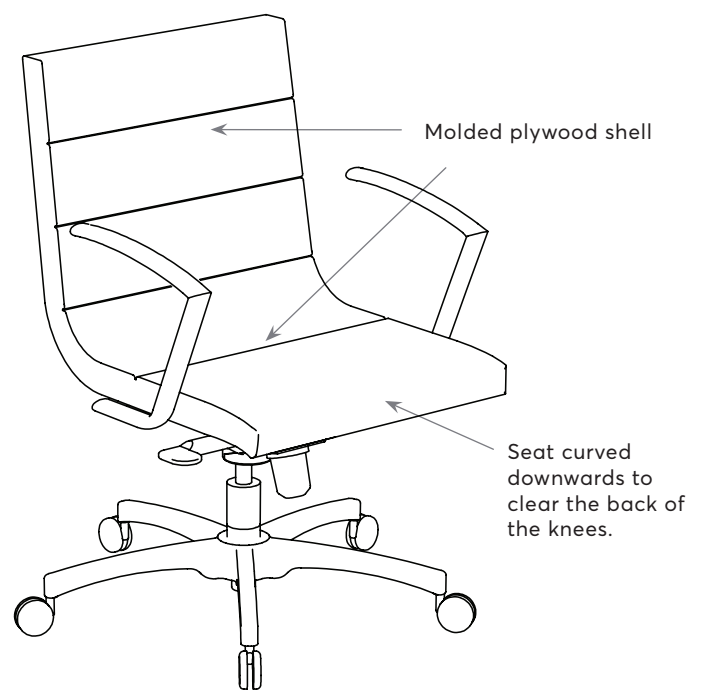
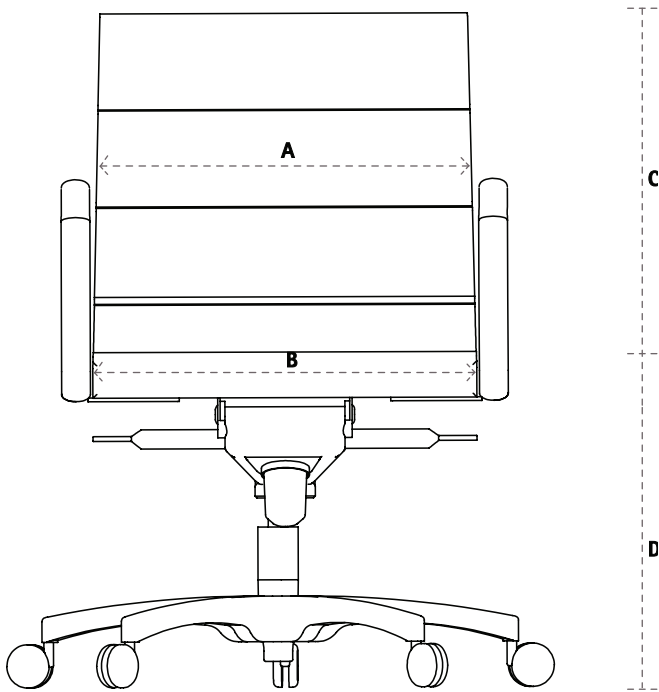
-
Carpet caster

CODIFICATION

SF50	N	6N	PZ	SW	Grade A
Model	Base color	Armrest	Mechanism	Option	Fabric

CLASSIC

CONFERENCE ROOM

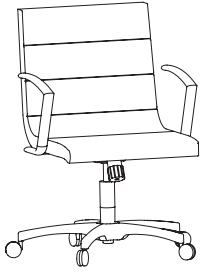


DIMENSIONS (inches)

	A Backrest width	B Seat width	C Backrest height from seat	D Seat height from floor	E Functional seat depth	F Overall depth	Fabric (yds)	Leather (ft ²)	Weight (lbs)	Cubic (ft ³)
CX50	19 1/2	20 1/2	20	17 1/2-22	17 1/2	26	1.5	28	54	16.77

CLASSIC

CONFERENCE ROOM



CX50

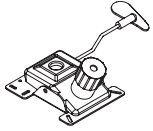
MODEL	CODE	MECHANISM	LIST PRICE / Grade A	Dock Delivery	Inside Delivery	Delivered & Installed
				53%	50%	46%
Chrome base						
CX50						
WC arms	CX50CWCP5	Swivel-tilt	1 439.00	676.33	719.50	777.06
WC arms	CX50CWCP5-SW	Swivel-tilt	1 463.00	687.61	731.50	790.02
Black base						
CX50						
C arms	CX50NCPD	Knee-tilt	1 593.00	748.71	796.50	860.22
C arms	CX50NCPD-SW	Knee-tilt	1 617.00	759.99	808.50	873.18

OPTIONS

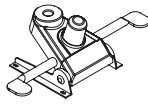
CLASSIC

CONFERENCE ROOM

MECHANISMS (SEE P. 4-5)



P5
Swivel-tilt

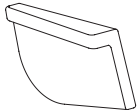


PD
Knee-tilt

FIXED ARM (SEE P. 6-7)



W
WN: black
WC: chrome



C
Upholstered

OTHERS



N
Black base



C
Chrome base



SW
Hard floor caster



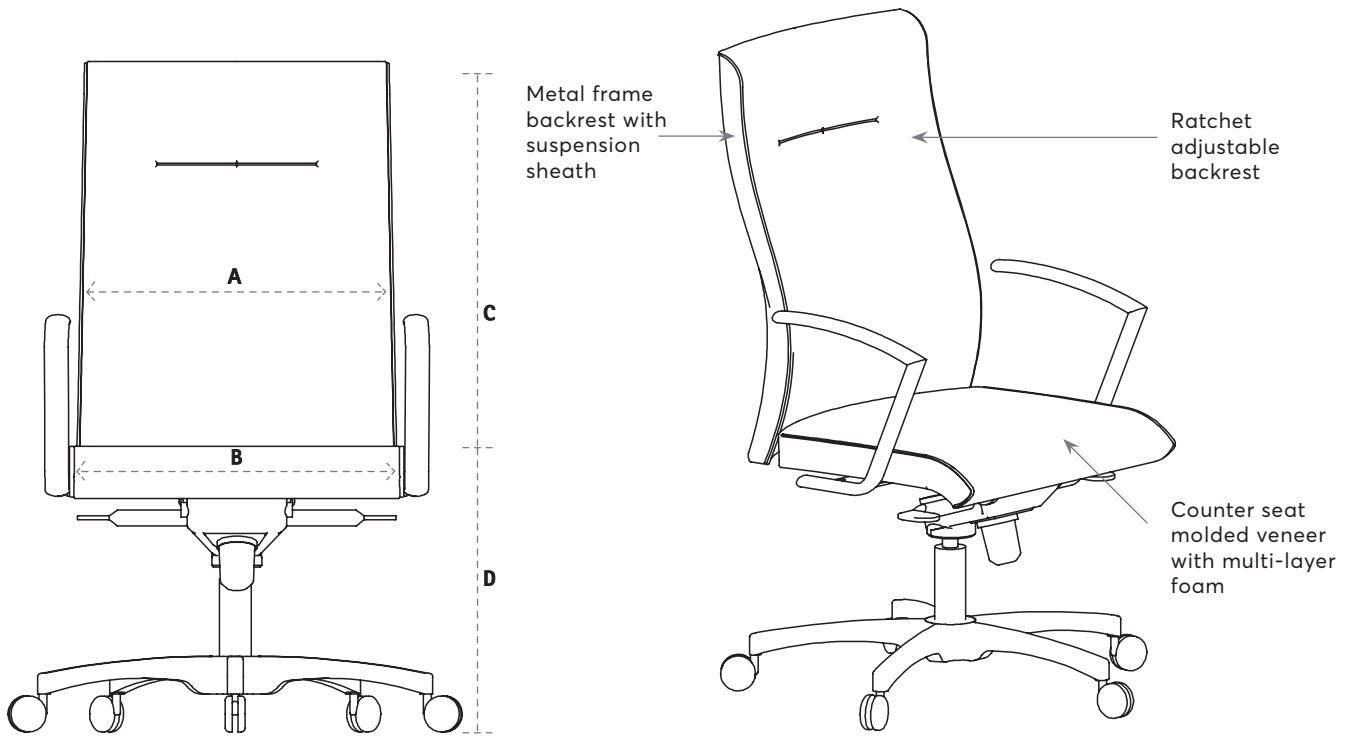
-
Carpet caster

CODIFICATION

CX50	C	WC	P5	SW	Grade A
Model	Base color	Armrest	Mechanism	Option	Fabric

C-23 SEATING:

EXECUTIVE CHAIR

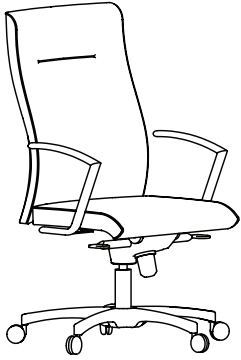


DIMENSIONS (inches)

	A Backrest width	B Seat width	C Backrest height from seat	D Seat height from floor	E Functional seat depth	F Overall depth	Fabric (yds)	Leather (ft ²)	Weight (lbs)	Cubic (ft ³)
RV90	20 1/2	20 1/2	23 1/2-26	17-20 1/2	19	26	1.65	32	52	21.83

RIVO

EXECUTIVE CHAIR

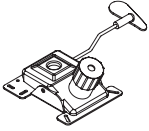


RV90

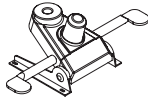
MODEL	CODE	MECHANISM	LIST PRICE / Grade A	Dock Delivery	Inside Delivery	Delivered & Installed
				53%	50%	46%
Black base						
RV90						
WN arms	RV90NWNP5	Swivel-tilt	1 365.00	641.55	682.50	737.10
WN arms	RV90NWNP5-SW	Swivel-tilt	1 389.00	652.83	694.50	750.06
Chrome base						
5C arms	RV90C5CPD	Knee-tilt	1 754.00	824.38	877.00	947.16
5C arms	RV90C5CPD-SW	Knee-tilt	1 778.00	835.66	889.00	960.12

OPTIONS

MECHANISMS (SEE P. 4-5)



P5
Swivel-tilt



PD
Knee-tilt

FIXED ARM (SEE P. 6-7)



W
WN: black



5C
C: Chrome

OTHERS



N
Black base



C
Chrome base



SW
Hard floor caster



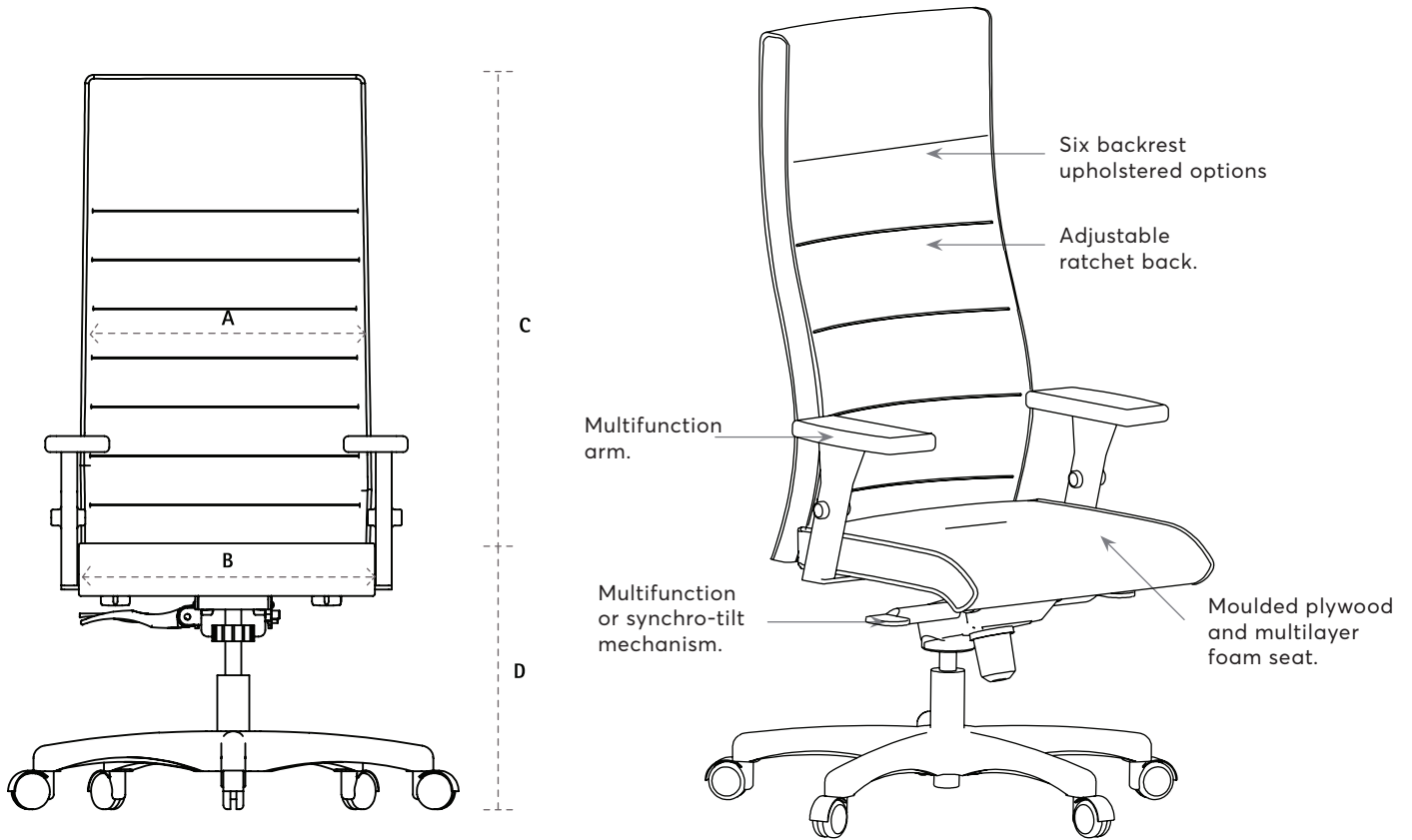
-
Carpet caster

CODIFICATION

RV90	N	WN	P5	SW	Grade A
Model	Base color	Armrest	Mechanism	Option	Fabric

LEAD

EXECUTIVE CHAIR

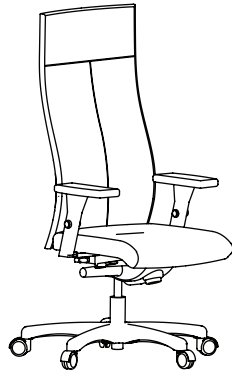


DIMENSIONS (inches)

	A Backrest width	B Seat width	C Backrest height from seat	D Seat height from floor	E Functional seat depth	F Overall depth	Fabric (yds)	Leather (ft ²)	Weight (lbs)	Cubic (ft ³)
LGM92/LL92	18	18 1/2	28 1/2 - 31	17-20 1/2	17 1/2	26	1.65	32	55	21.83



LGM92



LL92

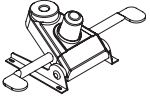
MODEL	CODE	MECHANISM	LIST PRICE / Grade A	Dock Delivery	Inside Delivery	Delivered & Installed
				53%	50%	46%
High-back						
LGM92						
WN arms	LGM92NWNPD	Knee-tilt	1 517.00	712.99	758.50	819.18
WN arms	LGM92NWNPD-SW	Knee-tilt	1 541.00	724.27	770.50	832.14
LL92						
AN arms	LL92NANPD	Knee-tilt	1 431.00	672.57	715.50	772.74
AN arms	LL92NANPD-SW	Knee-tilt	1 455.00	683.85	727.50	785.70

LEAD

EXECUTIVE CHAIR

OPTIONS

MECHANISMS (SEE P. 4-5)



PD
Knee-tilt

FIXED ARM (SEE P. 6-7)



W
WN: black
WC: chrome



A
AN: black
AC: chrome

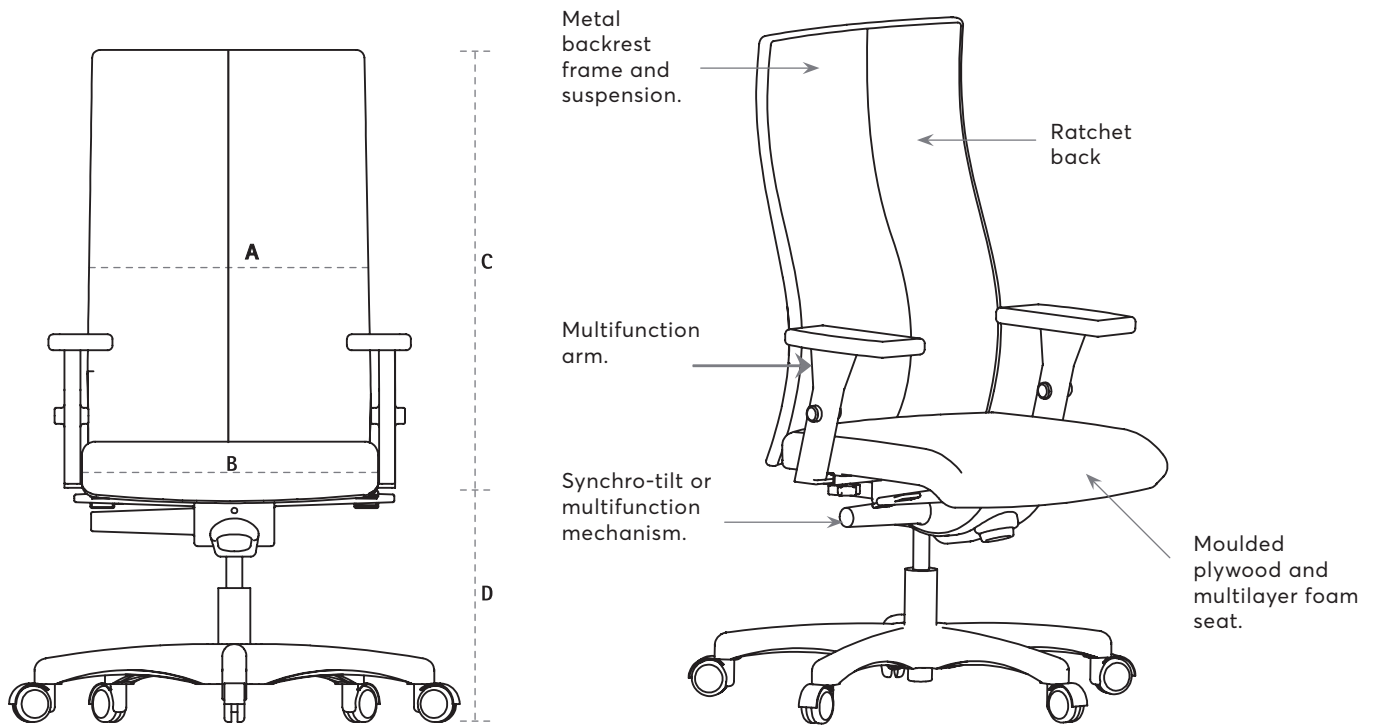
OTHERS



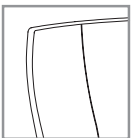
N
Black base

CODIFICATION

LM92	N	WN	PD	SW	Grade A
Model	Base color	Armrest	Mechanism	Option	Fabric



SL



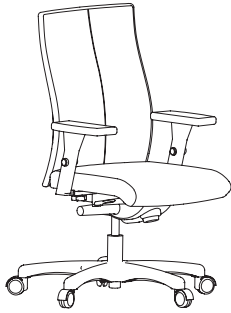
Slim
backrest

DIMENSIONS (inches)

	A Backrest width	B Seat width	C Backrest height from seat	D Seat height from floor	E Functional seat depth	F Overall depth	Fabric (yds)	Leather (ft ²)	Weight (lbs)	Cubic (ft ³)
SL50	18	18 1/2	19 1/2 - 22	17 - 20 1/2	17 1/2	26	1.40	26	49	16.77

LEAD X

EXECUTIVE CHAIR

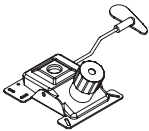


SL50

MODEL	CODE	MECHANISM	LIST PRICE / Grade A	Dock Delivery	Inside Delivery	Delivered & Installed
				53%	50%	46%
SLIM - Mid-back						
SL50						
P arms	SL50NPP5	Swivel-tilt	823.00	386.81	411.50	444.42
P arms	SL50NPP5-SW	Swivel-tilt	847.00	398.09	423.50	457.38

OPTIONS

MECHANISMS (SEE P. 4-5)



P5
Swivel-tilt

FIXED ARM (SEE P. 6-7)



P

OTHERS



N
Black base



SW
Hard floor caster



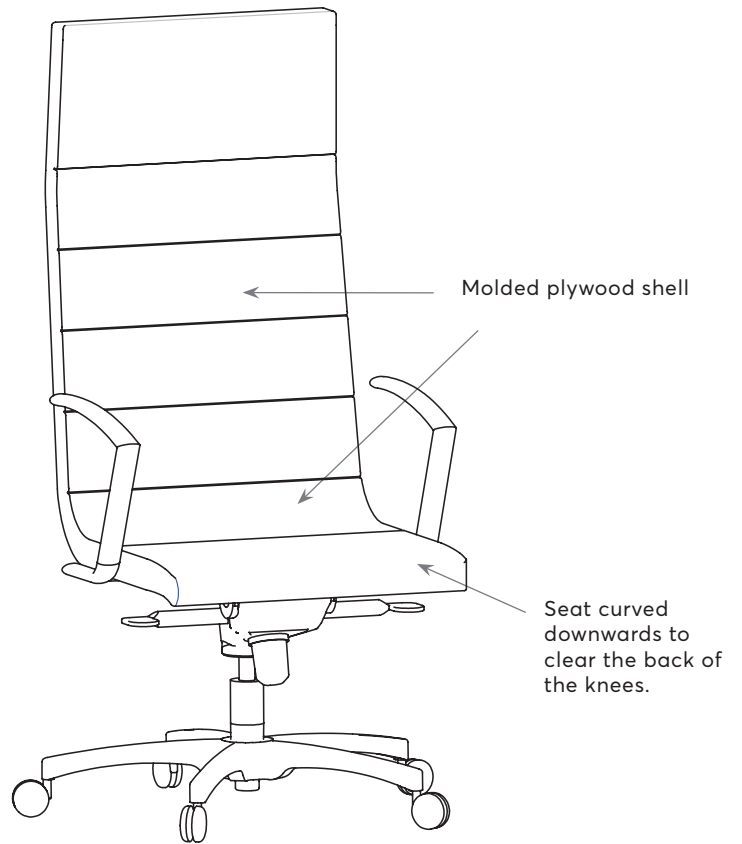
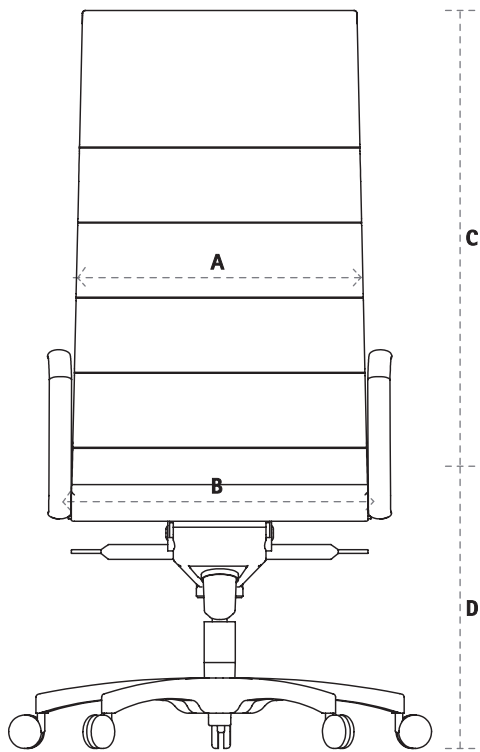
-
Carpet caster

CODIFICATION

SL50	N	P	P5	SW	Grade A
Model	Base color	Armrest	Mechanism	Option	Fabric

CLASSIC

EXECUTIVE CHAIR



DIMENSIONS (inches)

	A Backrest width	B Seat width	C Backrest height from seat	D Seat height from floor	E Functional seat depth	F Overall depth	Fabric (yds)	Leather (ft ²)	Weight (lbs)	Cubic (ft ³)
CX92	19 1/2	20 1/2	29	17 1/2-22	17 1/2	26	1.8	32	54	16.77

CLASSIC

EXECUTIVE CHAIR

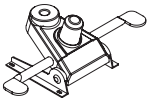


CX92

MODEL	CODE	MECHANISM	LIST PRICE / Grade A	Dock Delivery	Inside Delivery	Delivered & Installed
				53%	50%	46%
Chrome base						
CX92						
C arms	CX92CCPD	Knee-tilt	1786.00	839.42	893.00	964.44
C arms	CX92CCPD-SW	Knee-tilt	1810.00	850.70	905.00	977.40

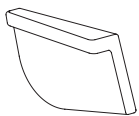
OPTIONS

MECHANISMS (SEE P. 4-5)



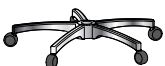
PD
Knee-tilt

FIXED ARM (SEE P. 6-7)



C
Upholstered

OTHERS



C
Chrome base



SW
Hard floor caster



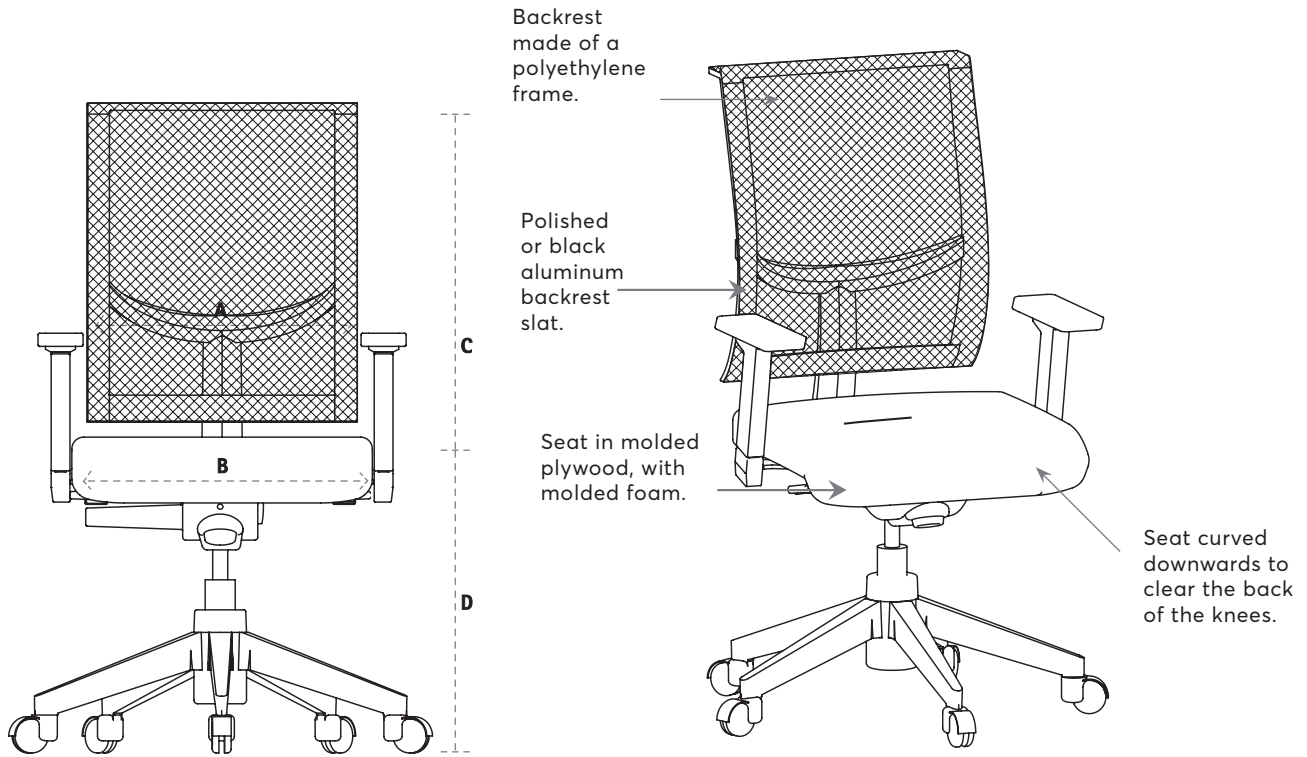
-
Carpet caster

CODIFICATION

CX92	C	C	PD	SW	Grade A
Model	Base color	Armrest	Mechanism	Option	Fabric

C-23 SEATING:

MID BACK CHAIR



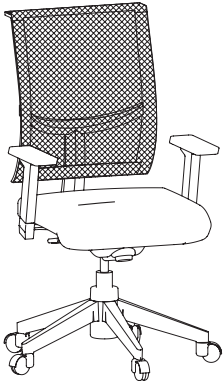
EF



Mesh backrest and upholstered seat

DIMENSIONS (inches)

	A Backrest width	B Seat width	C Backrest height from seat	D Seat height from floor	E Functional seat depth	F Overall depth	Fabric (yds)	Leather (ft ²)	Weight (lbs)	Cubic (ft ³)
EFN40	18	19	24 1/2	17 1/2-20	18	24	0.7	14	52	16.77

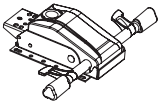


EF40

MODEL	CODE	MECHANISM	LIST PRICE / Grade A	Dock Delivery	Inside Delivery	Delivered & Installed
				53%	50%	46%
Black base						
EFN40						
M arms	EFN40NMPZ	Synchro-tilt	1 213.00	570.11	606.50	655.02
M arms	EFN40NMPZ-SW	Synchro-tilt	1 237.00	581.39	618.50	667.98

OPTIONS

MECHANISMS (SEE P. 4-5)



PZ
Synchro-tilt with
seat slider

FIXED ARM (SEE P. 6-7)



M
5 functions

OTHERS



N
Black base



SW
Hard floor caster



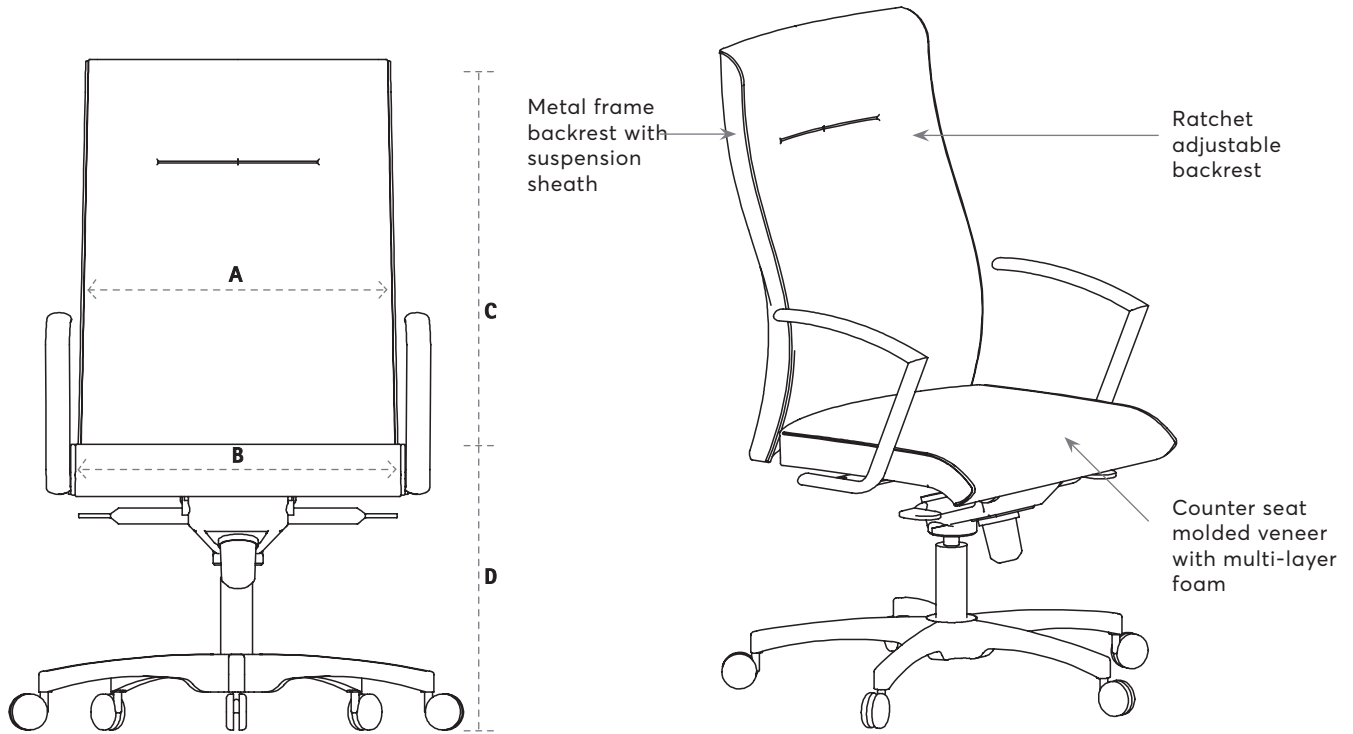
-
Carpet caster

CODIFICATION

EFN40	N	M	PZ	SW	Grade A
Model	Base color	Armrest	Mechanism	Option	Fabric

RIVO

MID BACK CHAIR



DIMENSIONS (inches)

	A Backrest width	B Seat width	C Backrest height from seat	D Seat height from floor	E Functional seat depth	F Overall depth	Fabric (yds)	Leather (ft ²)	Weight (lbs)	Cubic (ft ³)
RV50	20 1/2	20 1/2	19 1/2-22	17-20 1/2	19	26	1.50	28	49	16.77

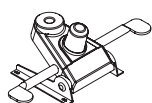


RV50

MODEL	CODE	MECHANISM	LIST PRICE / Grade A	Dock Delivery	Inside Delivery	Delivered & Installed
				53%	50%	46%
Black base						
RV50						
6N arms	RV50N6NPD	Knee-tilt	1 448.00	680.56	724.00	781.92
6N arms	RV50N6NPD-SW	Knee-tilt	1 472.00	691.84	736.00	794.88

OPTIONS

MECHANISMS (SEE P. 4-5)



PD
Knee-tilt

FIXED ARM (SEE P. 6-7)



6
6N: black

OTHERS



N
Black base



SW
Hard floor caster



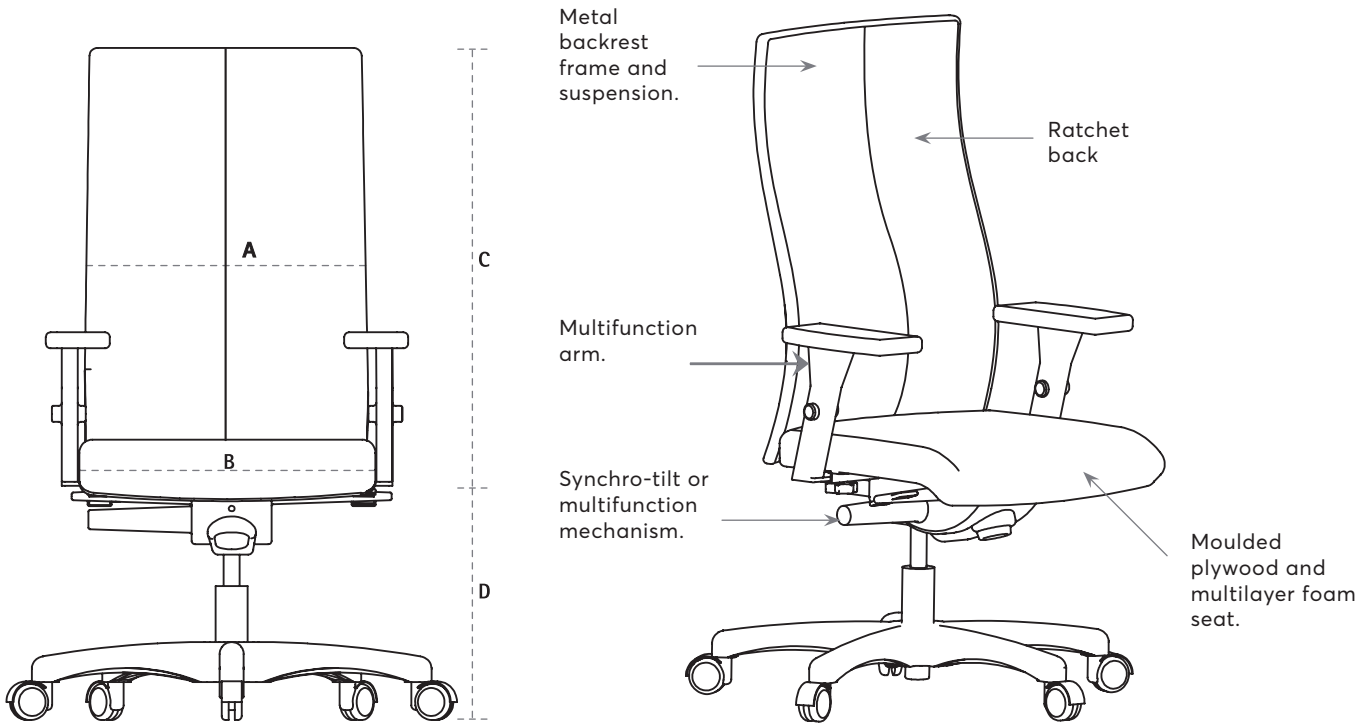
-
Carpet caster

CODIFICATION

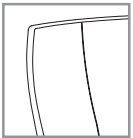
RV50	N	6N	PD	SW	Grade A
Model	Base color	Armrest	Mechanism	Option	Fabric

LEAD X

MID BACK CHAIR



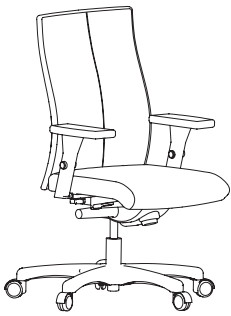
SL



Slim backrest

DIMENSIONS (inches)

	A Backrest width	B Seat width	C Backrest height from seat	D Seat height from floor	E Functional seat depth	F Overall depth	Fabric (yds)	Leather (ft ²)	Weight (lbs)	Cubic (ft ³)
SL50	18	18 1/2	19 1/2 - 22	17 - 20 1/2	17 1/2	26	1.40	26	49	16.77

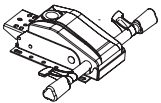


SL50

MODEL	CODE	MECHANISM	LIST PRICE / Grade A	Dock Delivery	Inside Delivery	Delivered & Installed
				53%	50%	46%
SLIM - Mid-back						
SL50						
M arms	SL50NMPZ	Swivel-tilt	1 172.00	550.84	586.00	632.88
M arms	SL50NMPZ-SW	Swivel-tilt	1 196.00	562.12	598.00	645.84

OPTIONS

MECHANISMS (SEE P. 4-5)



PZ
Synchro-tilt with
seat slider

FIXED ARM (SEE P. 6-7)



M
5 functions

OTHERS



N
Black base



SW
Hard floor caster



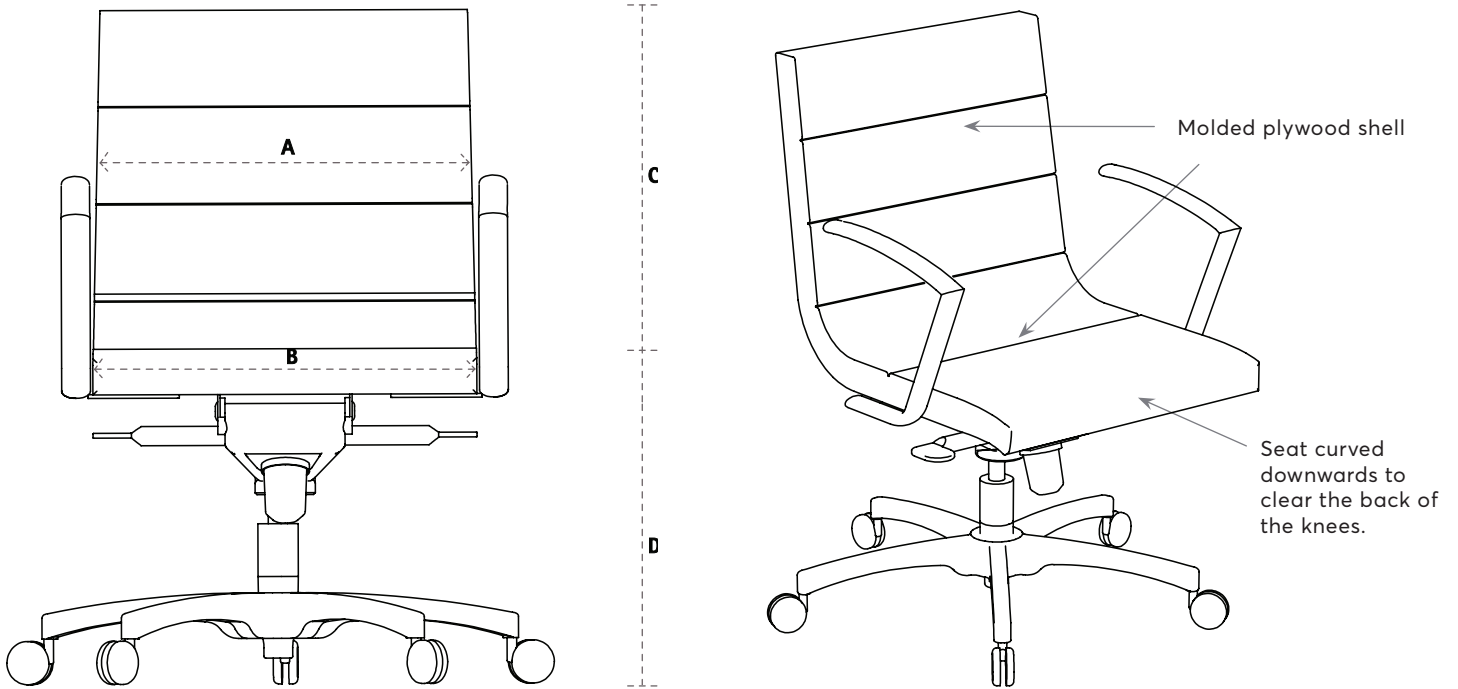
-
Carpet caster

CODIFICATION

SL50	N	M	PZ	SW	Grade A
Model	Base color	Armrest	Mechanism	Option	Fabric

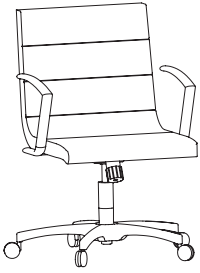
CLASSIC

MID BACK CHAIR



DIMENSIONS (inches)

	A Backrest width	B Seat width	C Backrest height from seat	D Seat height from floor	E Functional seat depth	F Overall depth	Fabric (yds)	Leather (ft ²)	Weight (lbs)	Cubic (ft ³)
CX50	19 1/2	20 1/2	20	17 1/2-22	17 1/2	26	1.5	28	54	16.77



CX50

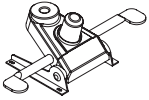
MODEL	CODE	MECHANISM	LIST PRICE / Grade A	Dock Delivery	Inside Delivery	Delivered & Installed
				53%	50%	46%
Chrome base						
CX50						
WC arms	CX50CWCP5	Swivel-tilt	1 439.00	676.33	719.50	777.06
WC arms	CX50CWCP5-SW	Swivel-tilt	1 463.00	687.61	731.50	790.02
Black base						
CX50						
C arms	CX50NCPD	Knee-tilt	1 593.00	748.71	796.50	860.22
C arms	CX50NCPD-SW	Knee-tilt	1 617.00	759.99	808.50	873.18

CLASSIC

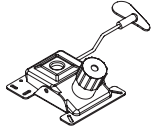
MID BACK CHAIR

OPTIONS

MECHANISMS (SEE P. 4-5)

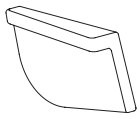


PD
Knee-tilt



P5
Swivel-tilt

FIXED ARM (SEE P. 6-7)



C
Upholstered



W
WC: Chrome

OTHERS



C
Chrome base



N
Black base



SW
Hard floor caster



-
Carpet caster

CODIFICATION

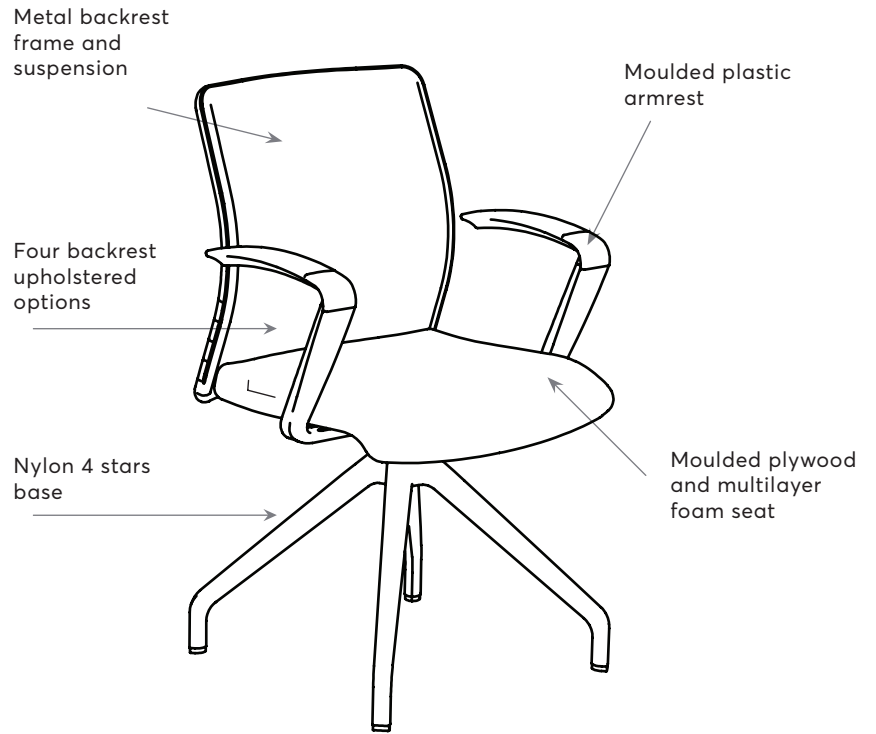
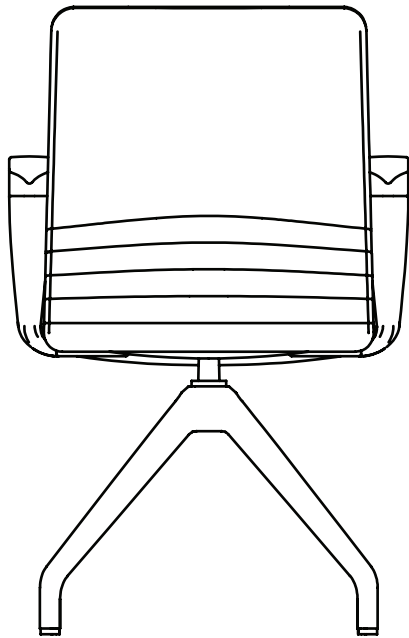
CX50	N	D	PZ	SW	Grade A
Model	Base color	Armrest	Mechanism	Option	Fabric

C-23 SEATING:

LOW BACK CHAIR

LEAD SIDE

LOW BACK CHAIR

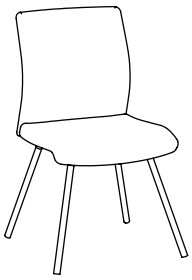


DIMENSIONS (inches)

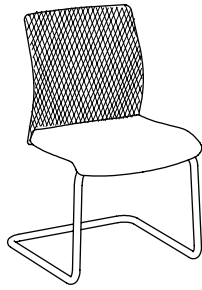
	A Backrest width	B Seat width	C Backrest height from seat	D Seat height from floor	E Functional seat depth	F Overall depth	Fabric (yds)	Leather (ft ²)	Weight (lbs)	Cubic (ft ³)
SL/SF30	18	18 1/2	16 1/2	18	17 1/2	23 1/2	1.25	24	35	13.51
SL70	18	18 1/2	16 1/2	18	17 1/2	23 1/2	1.25	24	35	13.51
SF75	18	18 1/2	16 1/2	18	17 1/2	23 1/2	1.25	24	35	13.51

LEAD SIDE

LOW BACK CHAIR



SL70



SF75



SL30



SF30

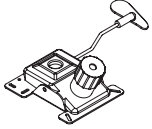
MODEL	CODE	MECHANISM	LIST PRICE / Grade A	Dock Delivery	Inside Delivery	Delivered & Installed
				53%	50%	46%
SLIM						
4 legged base						
SL70						
No arms	SL70N	-	838.00	393.86	419.00	452.52
MESH						
Cantilevered base						
SF75						
WN arms	SF75NWN	-	1 025.00	481.75	512.50	553.50
SLIM						
Caster base						
SL30						
P arms	SL30NPP5	Swivel-tilt	845.00	397.15	422.50	456.30
P arms	SL30NPP5-SW	Swivel-tilt	869.00	408.43	434.50	469.26
MESH						
Caster base						
SF30						
P arms	SF30NPP5	Swivel-tilt	832.00	391.04	416.00	449.28
P arms	SF30NPP5-SW	Swivel-tilt	856.00	402.32	428.00	462.24

LEAD SIDE

LOW BACK CHAIR

OPTIONS

MECHANISMS (SEE P. 6-7)



P5
Swivel-tilt

OTHERS



N
Black base



SW
Hard floor caster



-
Carpet caster

FIXED ARM (SEE P. 6-7)



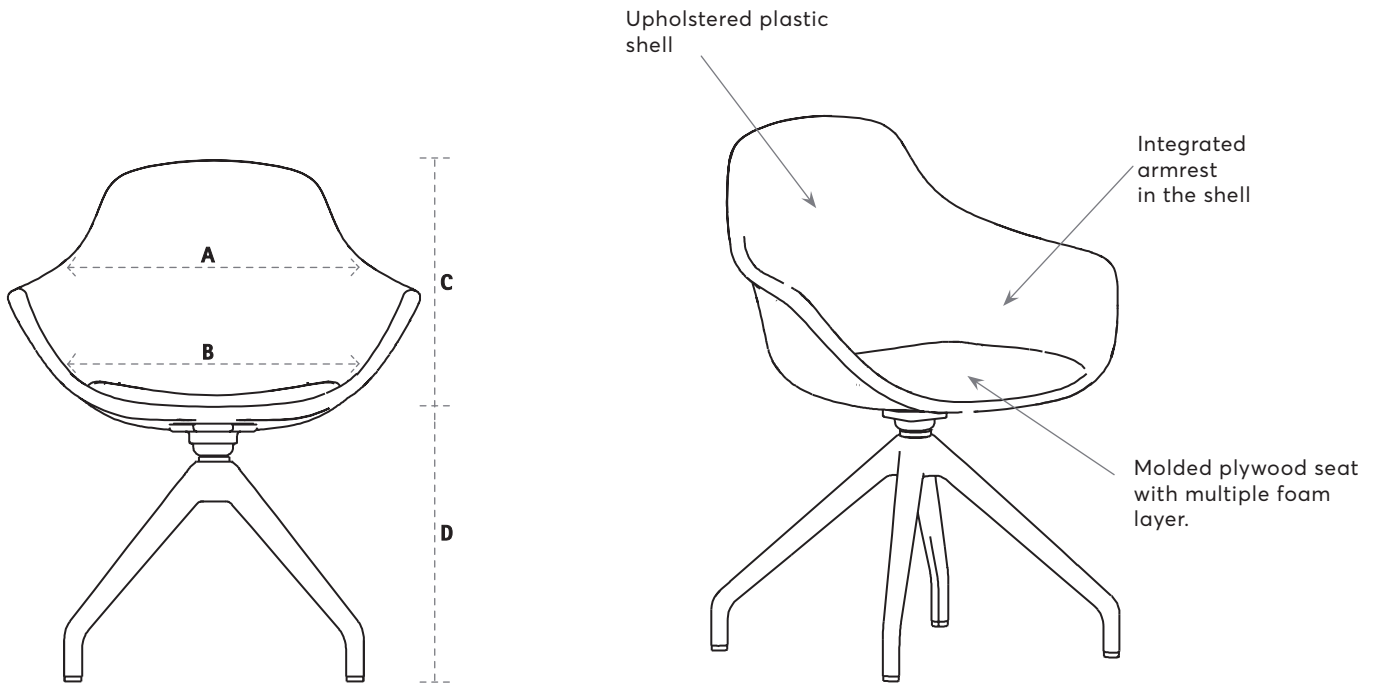
P



W
WN: black

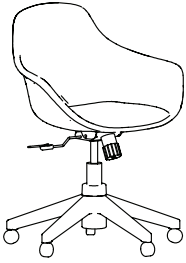
CODIFICATION

SL70	N	P	P5	Grade A
Model	Base	Option	Mechanism	Fabric



DIMENSIONS (inches)

	A Backrest width	B Seat width	C Backrest height from seat	D Seat height from floor	E Functional seat depth	F Overall depth	Fabric (yds)	Leather (ft2)	Weight (lbs)	Cubic (ft3)
LY40	18	18	15 1/2	17 1/2 - 21 1/2	16 1/2	26	1.6	29	19.5	14.81

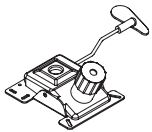


LY40

MODEL	CODE	MECHANISM	LIST PRICE / Grade A	Dock Delivery	Inside Delivery	Delivered & Installed
				53%	50%	46%
Caster base						
LY40						
Caster base	LY40ANP5	Swivel-tilt	920.00	432.40	460.00	496.80
Caster base	LY40ANP5-SW	Swivel-tilt	944.00	443.68	472.00	509.76

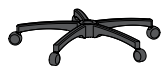
OPTIONS

MECHANISMS (SEE P. 6-7)



P5
Swivel-tilt

OTHERS



N
Black base



SW
Hard floor caster



-
Carpet caster

CODIFICATION

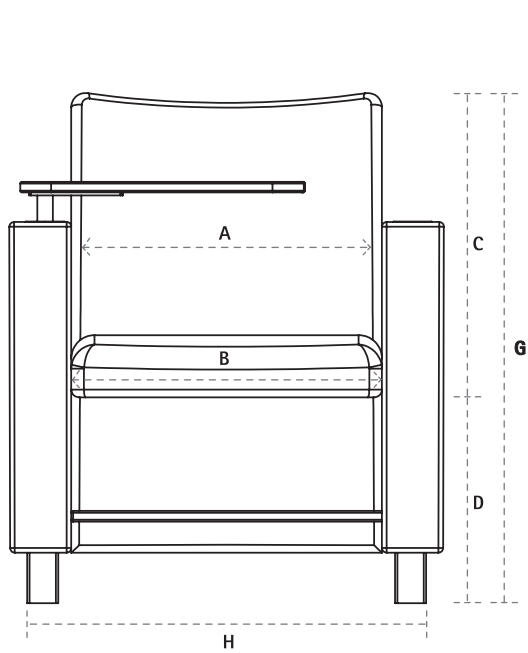
LY40A	N	P5	Grade A
Model	Base	Option	Fabric

C-23 SEATING:

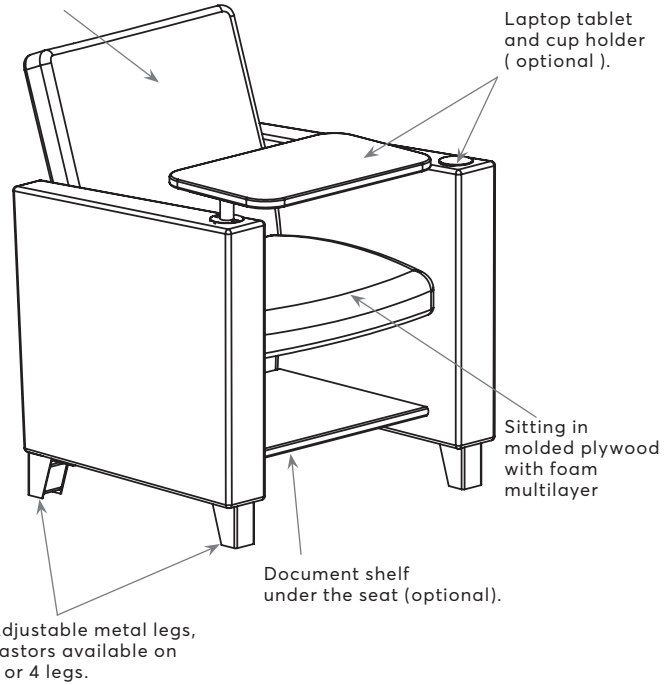
LOUNGE CHAIRS

CAMPUS

LOUNGE CHAIR

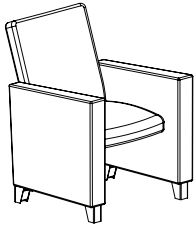


Molded plywood backrest and multi-layered foam



DIMENSIONS (inches)

	A	B	C	D	E	F	Fabric (yds)	Leather (ft ²)	Weight (lbs)	Cubic (ft ³)
	Backrest width	Seat width	Backrest height from seat	Seat height from floor	Functional seat depth	Overall depth				
CP15	20 1/2	20 1/2	16	17 1/2	20	28	3.35	60	70	16.61



CP15

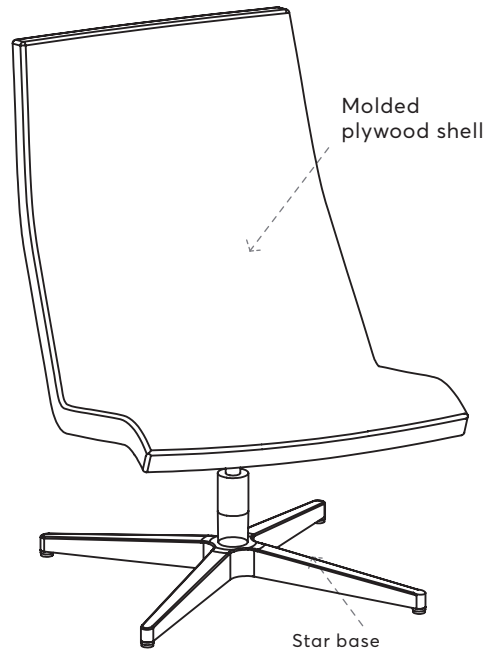
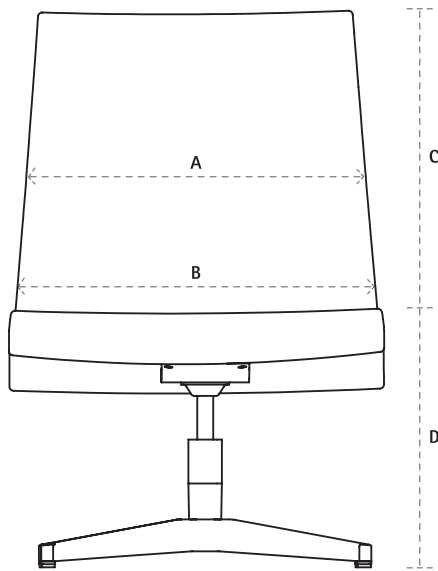
MODEL	CODE	LIST PRICE / Grade A	Dock Delivery	Inside Delivery	Delivered & Installed
			53%	50%	46%
CP15 4 legs	CP15	1 867.00	877.49	933.50	1 008.18

CODIFICATION

CP15	Grade A
Model	Fabric

ZETTI

LOUNGE CHAIR



DIMENSIONS (inches)

	A Backrest width	B Seat width	C Backrest height from seat	D Seat height from floor	E Functional seat depth	F Overall depth	Fabric (yds)	Leather (ft2)
FA43	22	24	16	17 1/2	18	25	1.50	28
FA63	22	24	26	17 1/2	18	28	1.90	35



FA43

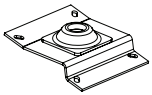


FA63

MODEL	CODE	MECHANISM	LIST PRICE / Grade A	Dock Delivery	Inside Delivery	Delivered & Installed
				53%	50%	46%
Low back						
FA43 No arms	FA43*P4	Lounge	1 457.00	684.79	728.50	786.78
High back						
FA63 No arms	FA63*P4	Lounge	1 474.00	692.78	737.00	795.96

OPTIONS

MECHANISMS (SEE P. 4-5)



P4
Lounge

BASE



B
White base



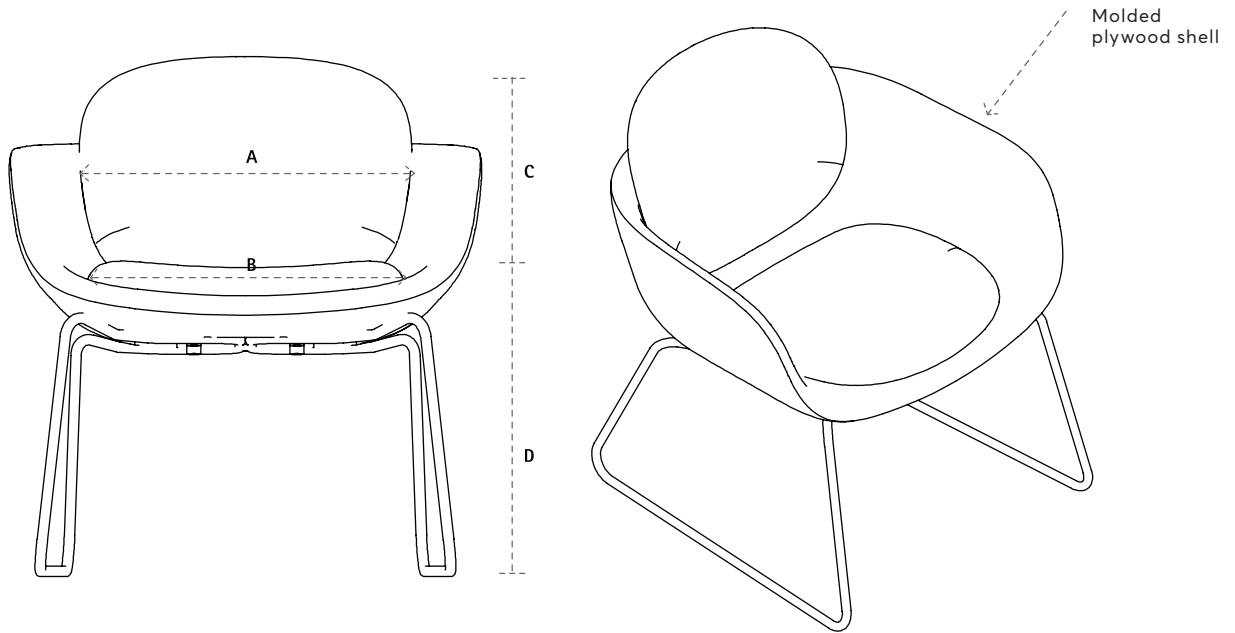
N
Black base

CODIFICATION

FA43	C	P4	Grade A
Model	Base color	Mechanism	Fabric

BILY

LOUNGE CHAIR

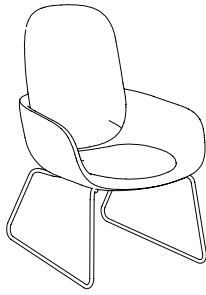


DIMENSIONS (inches)

	A Backrest width	B Seat width	C Backrest height from seat	D Seat height from floor	E Functional seat depth	F Overall depth	Fabric (yds)	Leather (ft ²)	Cubic (ft ³)
BY45	19.5	19.5	14	17.5	18	27	2.35	42	16.61
BY65	19.5	19.5	24	17.5	18	29	2.6	46	35



BY45



BY65

MODEL	CODE	LIST PRICE / Grade A	Dock Delivery	Inside Delivery	Delivered & Installed
			53%	50%	46%
Low back					
BY45 Sled base	BY45A*	2 134.00	1 002.98	1 067.00	1 152.36
High back					
BY65 Sled base	BY65A*	2 185.00	1 026.95	1 092.50	1 179.90

OPTIONS

OTHERS



B
White base



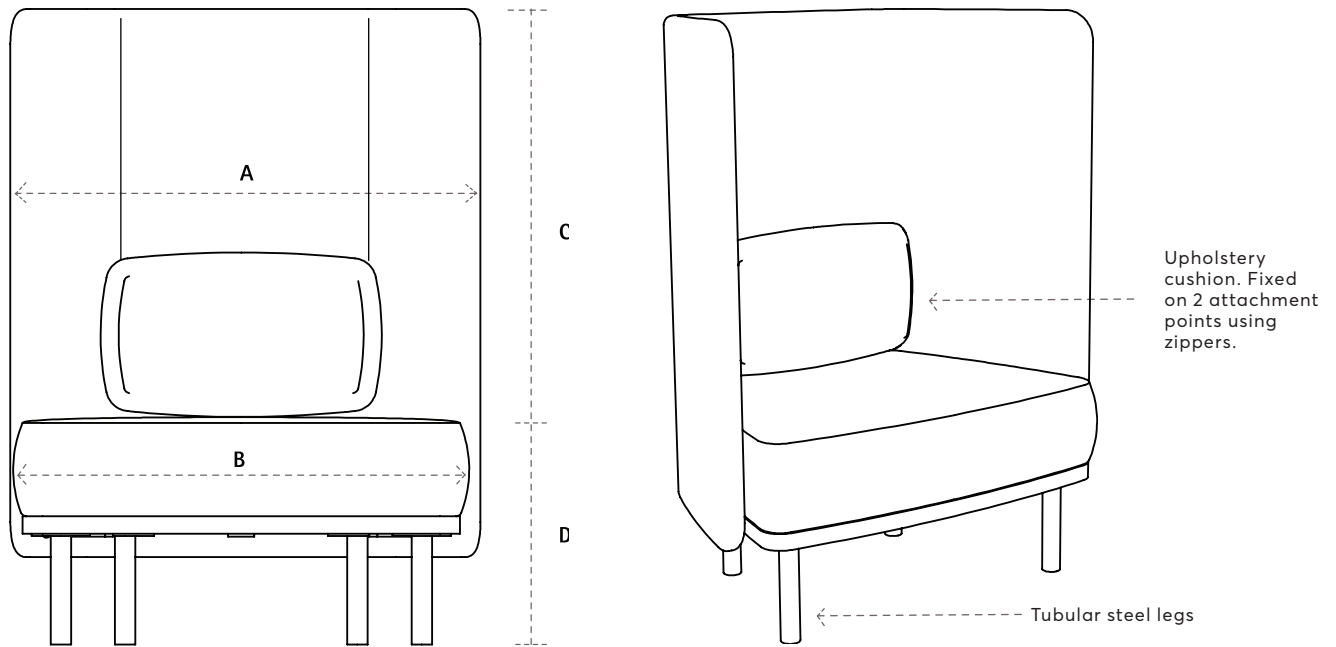
N
Black base

CODIFICATION

BY45	N	Grade A
Model	Base color	Fabric

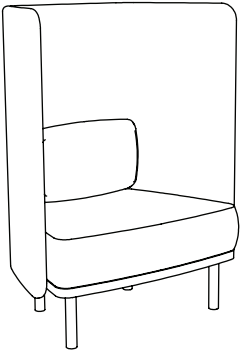
COAST

LOUNGE CHAIR



DIMENSIONS (inches)

	A Backrest width	B Seat width	C Backrest height from seat	D Seat height from floor	E Functional seat depth	F Overall depth	Fabric (yds)	Leather (ft ²)
OAD41AMN	25	37	15	17 1/2	20	28	8.15	141



OAD41

MODEL	CODE	LIST PRICE / Grade A	Dock Delivery	Inside Delivery	Delivered & Installed
			53%	50%	46%
OAD41 Right high back	OAD41AMN	3 821.00	1 795.87	1 910.50	2 063.34

OPTIONS

OTHERS



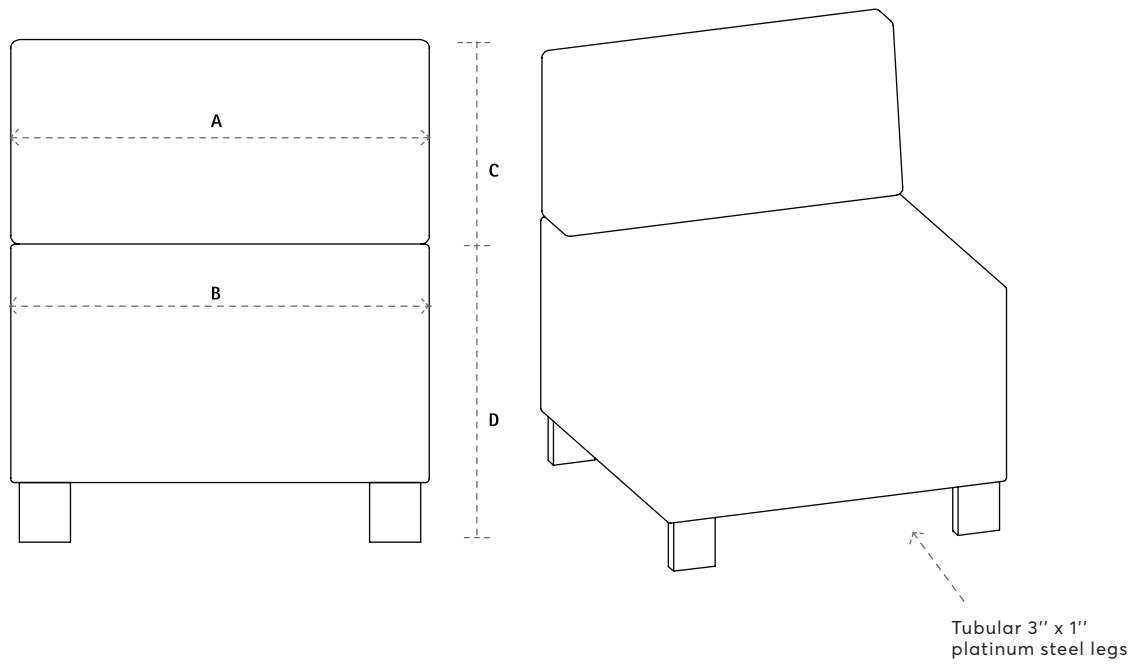
N
Black legs

CODIFICATION

OAD41	A	MN	Grade A
Model	Option	Base	Fabric

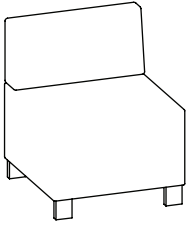
BLOK

LOUNGE CHAIR



DIMENSIONS (inches)

	A	B	C	D	E	F	Fabric (yds)	Leather (ft ²)	Cubic (ft ³)
	Backrest width	Seat width	Backrest height from seat	Seat height from floor	Functional seat depth	Overall depth			
BL21	24 9/16	24 9/16	12	17 1/2	19	24 9/16	1.95	36	11.33



BL21

MODEL	CODE	LIST PRICE / Grade A	Dock Delivery	Inside Delivery	Delivered & Installed
BL21			53%	50%	46%
No arms	BL21N	1 596.00	750.12	798.00	861.84

OPTIONS

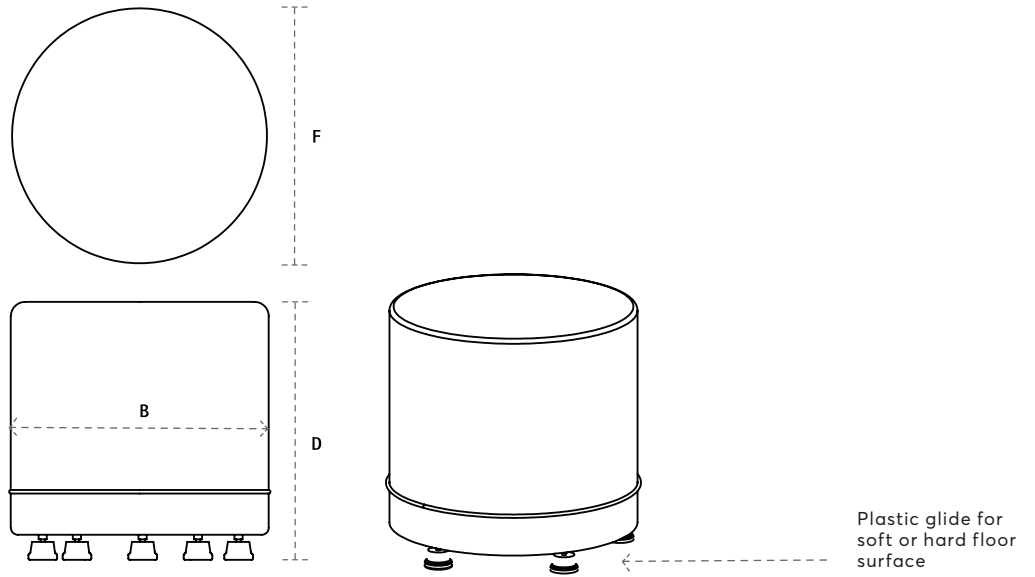
LEGS



N
Black

CODIFICATION

BL21	N	Grade A
Model	Base color	Fabric



DIMENSIONS (inches)

	A Backrest width	B Seat width	C Backrest height from seat	D Seat height from floor	E Functional seat depth	F Overall depth	Fabric (yds)	Leather (ft2)	Cubic (ft3)
GO40	-	18	-	18	18	18	1.15	22	6

**GO40**

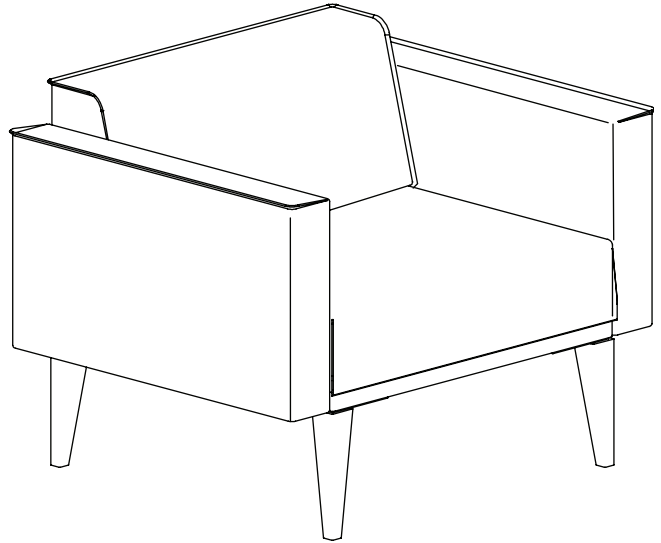
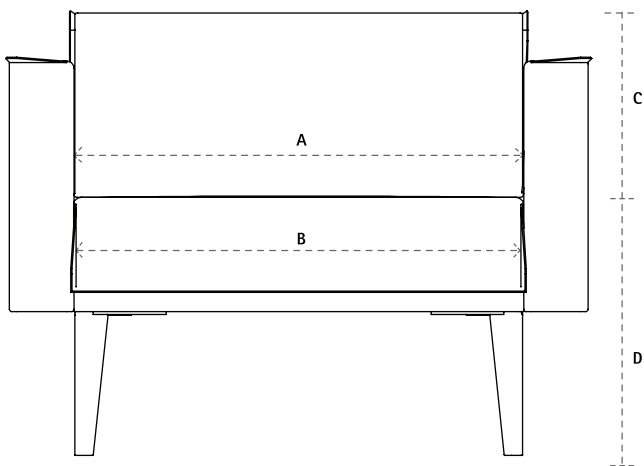
MODEL	CODE	LIST PRICE / Grade A	Dock Delivery	Inside Delivery	Delivered & Installed
			53%	50%	46%
GO40 On glides	GO42AG2	693.00	325.71	346.50	374.22

OPTIONS**OTHERS****G2**
Glides**CODIFICATION**

GO40	A	G2	Grade A
Model	Option	Base	Fabric

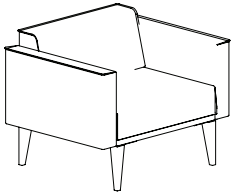
EVA FLOW

LOUNGE CHAIR

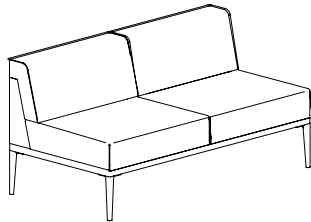


DIMENSIONS (inches)

	A Backrest width	B Seat width	C Backrest height from seat	D Seat height from floor	E Functional seat depth	F Overall depth	Fabric (yds)	Leather (ft ²)	Cubic (ft ³)
EW31B4	30	30	13	17.5	22	30	6.05	105	16.64
EW32	60	60	13	17.5	22	30	6.8	118	18.05



EW31B4



EW32

MODEL	CODE	LIST PRICE / Grade A	Dock Delivery	Inside Delivery	Delivered & Installed
			53%	50%	46%
One seater					
EW31B4					
B4 arms	EW31B4AMN	3097.00	1455.59	1548.50	1672.38
Two seater					
EW32					
No arms	EW32AMN	3567.00	1676.49	1783.50	1926.18

OPTIONS

LEGS



B
White Metal



N
Black Metal

CODIFICATION

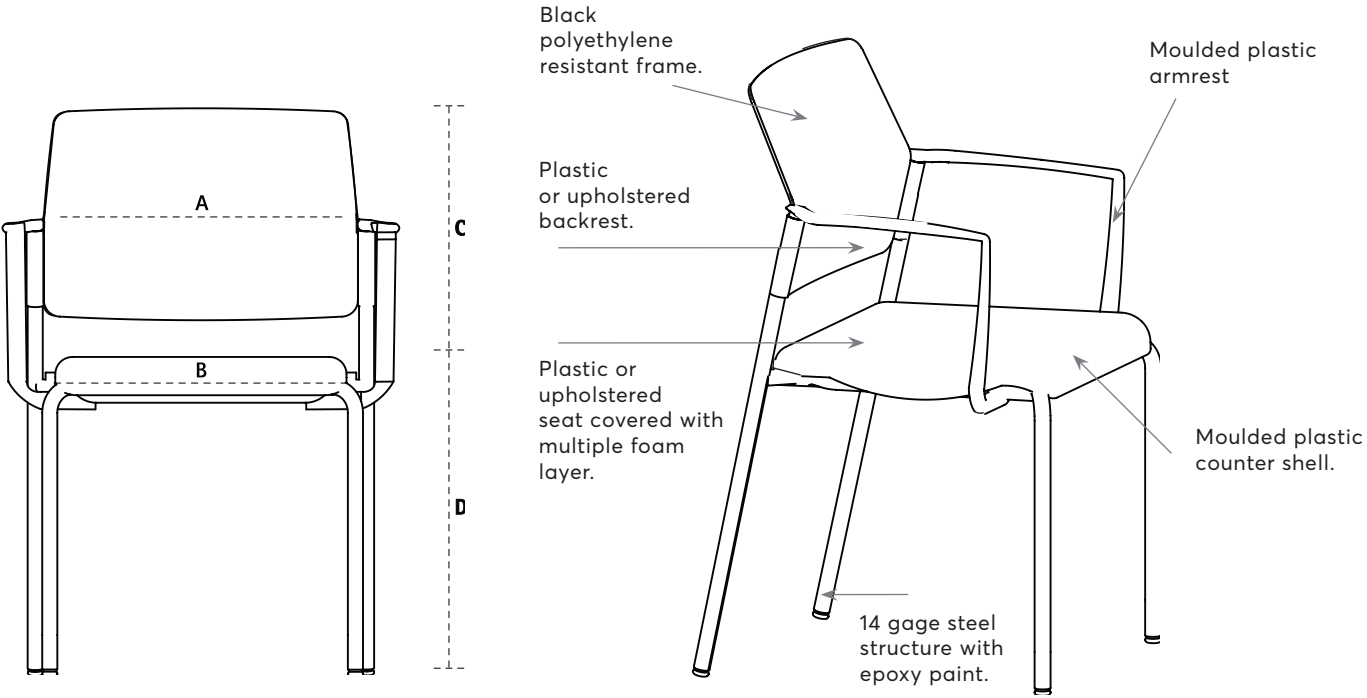
EW31B4	A	MN	Grade A
Model	Options	Legs	Fabric

C-23 SEATING:

SIDE CHAIRS

DEXTRA

SIDE CHAIR



DR



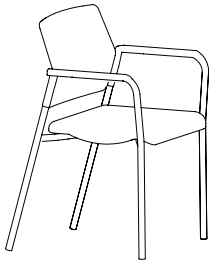
Upholstered backrest and seat

DIMENSIONS (inches)

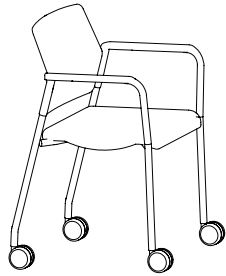
	A Backrest width	B Seat width	C Backrest height from seat	D Seat height from floor	E Functional seat depth	F Overall depth	Fabric (yds)	Leather (ft ²)	Weight (lbs)	Cubic (ft ³)
DR30	17	17 1/2	15 1/2	18	16	21	0.95	18	26	14.81
DR31	17	17 1/2	15 1/2	18	16	21	0.95	18	26	14.81

DEXTRA

SIDE CHAIR



DR30



DR31

MODEL	CODE	LIST PRICE / Grade A	Dock Delivery	Inside Delivery	Delivered & Installed
			53%	50%	46%
Upholstered backrest and seat (DR)					
DR30 No arms	DR30N	557.00	261.79	278.50	300.78
DR31 No arms	DR31N-SW	649.00	305.03	324.50	350.46

OPTIONS

OTHERS



P
Four legged
platinum base



N
Four legged
black base



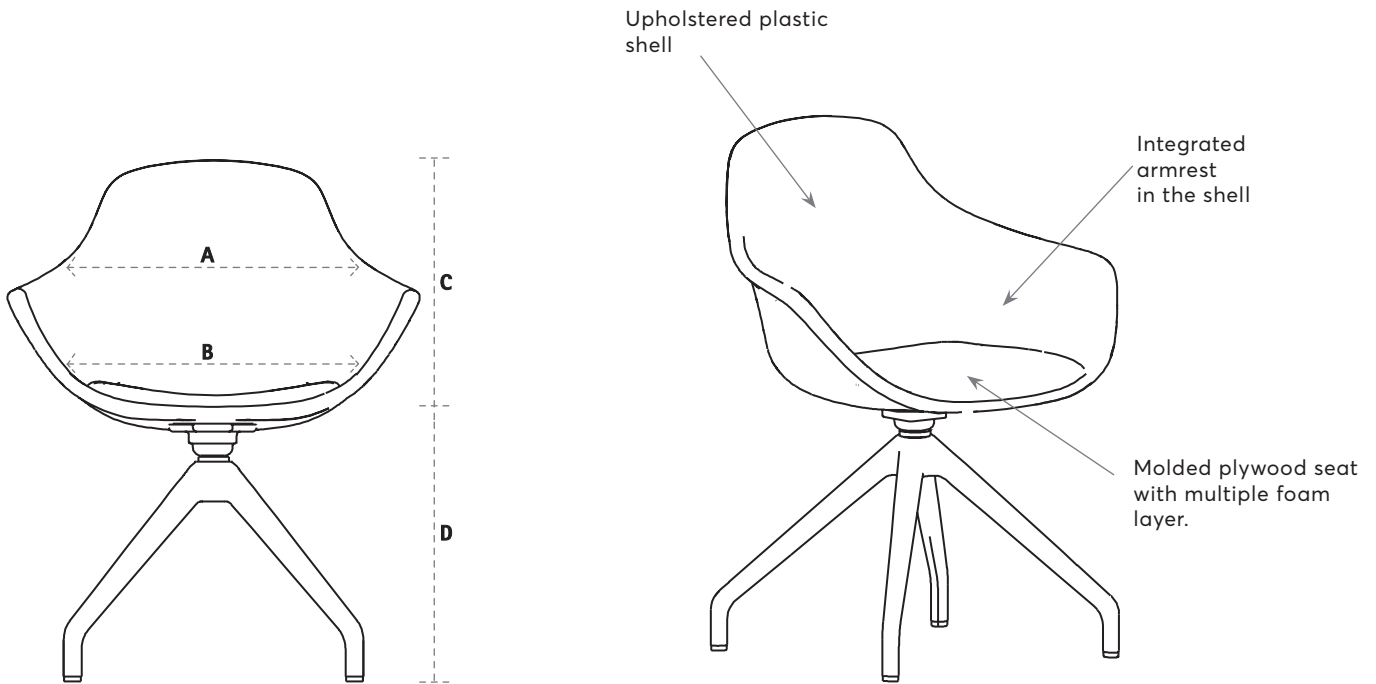
SW
Hard floor caster

CODIFICATION

DR30	N	SW	Grade A
Model	Base color	Option	Fabric

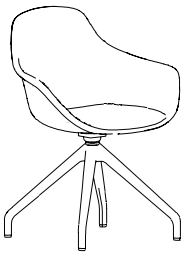
C-23 SEATING:

LOW BACK CHAIR



DIMENSIONS (inches)

	A Backrest width	B Seat width	C Backrest height from seat	D Seat height from floor	E Functional seat depth	F Overall depth	Fabric (yds)	Leather (ft ²)	Weight (lbs)	Cubic (ft ³)
LYE43	18	18	15 1/2	18 3/4	16 1/2	26	0.75	12.75	16.5	14.81
LYE44	18	18	15 1/2	18 3/4	16 1/2	18	0.75	12.75	17.5	14.81

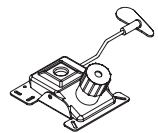


LYE43

MODEL	CODE	LIST PRICE / Grade A	Dock Delivery	Inside Delivery	Delivered & Installed
			53%	50%	46%
Caster base					
LYE43 4 star base	LYEN43N	882.00	414.54	441.00	476.28
LYE44 Wood base	LYEN44E	1 031.00	484.57	515.50	556.74

OPTIONS

MECHANISMS (SEE P. 6-7)



P5
Swivel-tilt

PLASTIC SHELL



B
White



N
Black

BASE



B
White
(Plastic)



N
Black
(Plastic)



L
Light Walnut
(Wood)



W
Walnut
(Wood)



E
Natural
(Wood)



N
Black
(Wood)

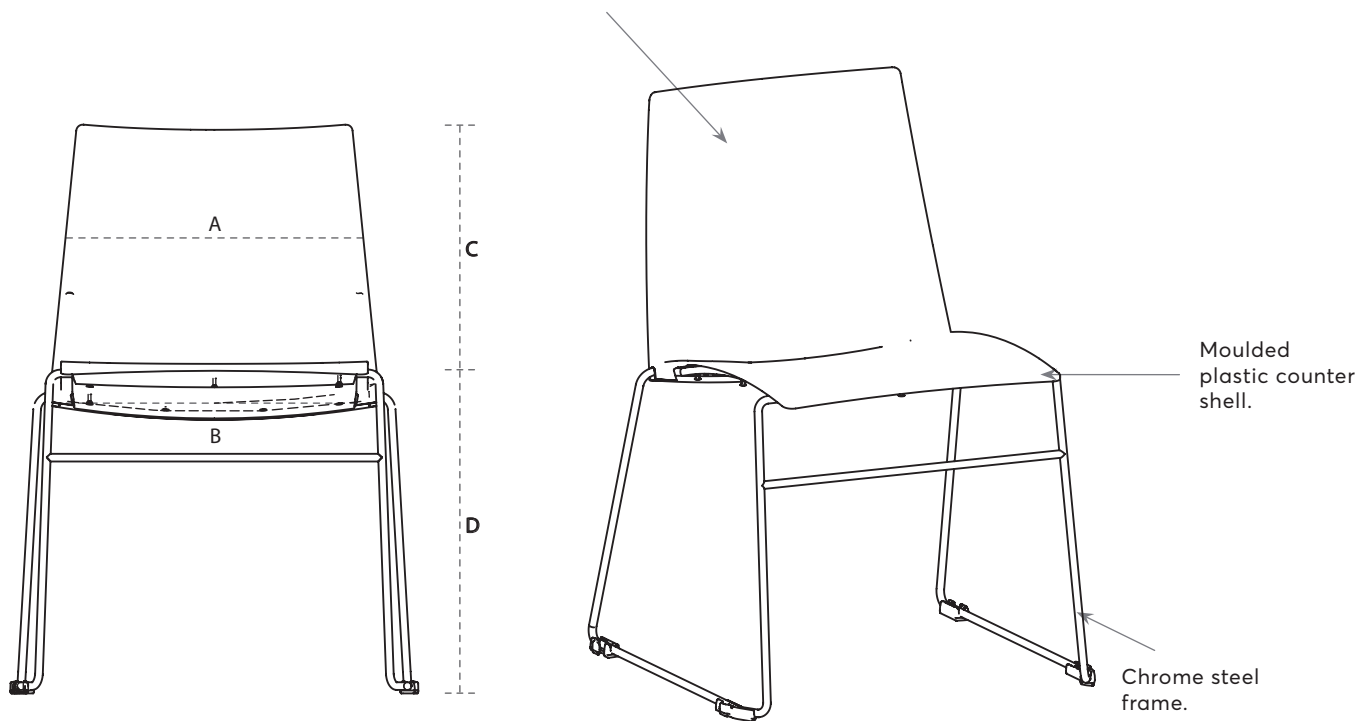
CODIFICATION

LYEN43	N	Grade A
Model	Base	Fabric

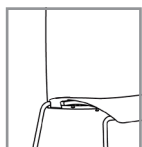
C-23 SEATING:

STACKABLE CHAIR

Durable and comfortable plastic backrest and seat, many colors available.



VP



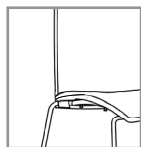
Plastic backrest and seat

VE



Plastic backrest, upholstered seat

VU



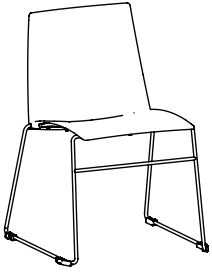
Upholstered backrest and seat

DIMENSIONS (inches)

	A Backrest width	B Seat width	C Backrest height from seat	D Seat height from floor	E Functional seat depth	F Overall depth	Fabric (yds)	Leather (ft ²)	Weight (lbs)	Cubic (ft ³)
VP*20 / 21	17	17	16	18	17	21½	N/A	N/A	8	11,05
VE*20 / 21	17	17	16	18	17	21½	0,75	15	8	11,05
VU20	17	17	16	18	17	21½	1,15	22	8	11,05

VIBE

STACKABLE CHAIR



VP20



VP21

MODEL	CODE	LIST PRICE / Grade A	Dock Delivery	Inside Delivery	Delivered & Installed
			53%	50%	46%
Plastic seat and backrest					
Sled base	VP*20C	485.00	227.95	242.50	261.90
4 legs	VP*21C	575.00	270.25	287.50	310.50
Plastic backrest and upholstered seat					
Sled base	VE*20C	665.00	312.55	332.50	359.10
4 legs	VE*21C	719.00	337.93	359.50	388.26
Upholstered seat and backrest					
Sled base	VU*20C	691.00	324.77	345.50	373.14

OPTIONS

PLASTIC SHELL



B
White backrest
and seat



R
Red backrest
and seat



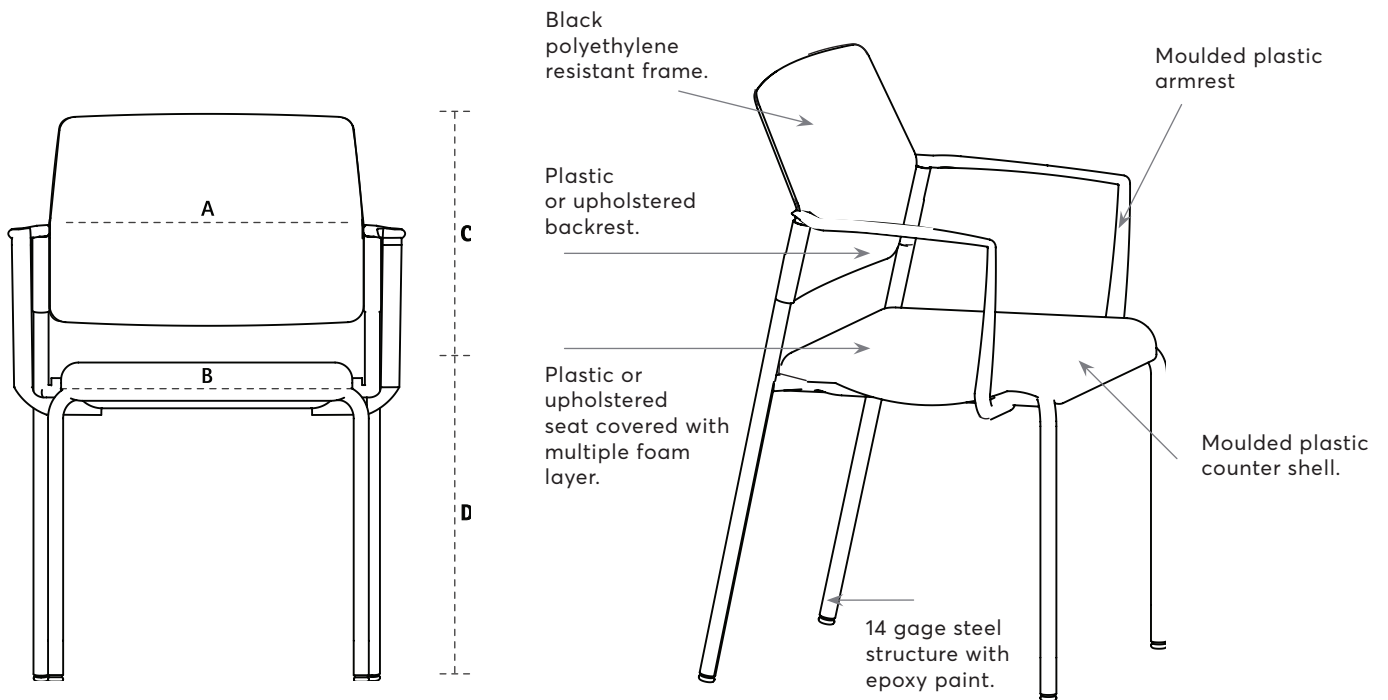
F
Charcoal
backrest and
seat



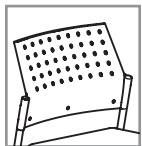
N
Black backrest
and seat

CODIFICATION

VP	N	20	C	Grade A
Serie	Plastic color	Model	Base color	Fabric

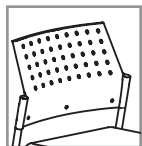


DP



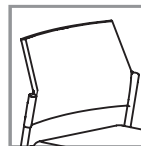
Plastic backrest and seat

DE



Plastic backrest, upholstered seat

DR



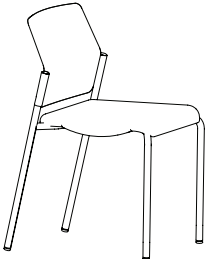
Upholstered backrest and seat

DIMENSIONS (inches)

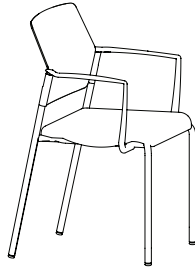
	A Backrest width	B Seat width	C Backrest height from seat	D Seat height from floor	E Functional seat depth	F Overall depth	Fabric (yds)	Leather (ft ²)	Weight (lbs)	Cubic (ft ³)
DE/DP/DR20	17	17 1/2	15 1/2	18	16	21	0.70	14	20	11.05
DP30	17	17 1/2	15 1/2	18	16	21	0.70	14	20	11.05

DEXTRA

STACKABLE CHAIR



DR20



DP30

MODEL	CODE	LIST PRICE / Grade A	Dock Delivery	Inside Delivery	Delivered & Installed
			53%	50%	46%
Upholstered backrest and seat (DR)					
DR20* No arms	DR20*	497.00	233.59	248.50	268.38
Plastic backrest and upholstered seat (DE)					
DE20* No arms	DE20*	453.00	212.91	226.50	244.62
Plastic backrest and seat (DP)					
DP20* No arms	DP20*	394.00	185.18	197.00	212.76
DP30* With arms	DP30*	456.00	214.32	228.00	246.24

OPTIONS

OTHERS



P
Four legged
platinum base



N
Four legged
black base

CODIFICATION

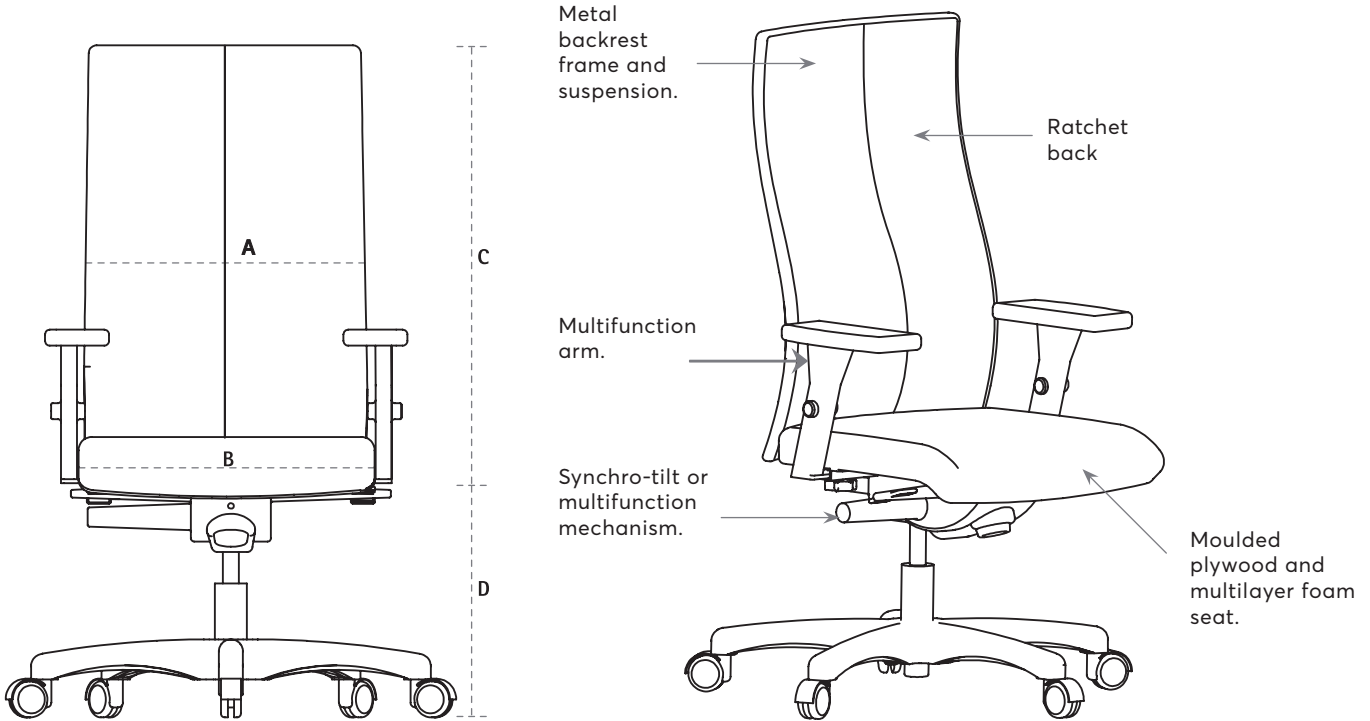
DE30	N	S	Grade A
	Option	Fabric	

C-23 SEATING:

TASK CHAIR

LEAD X

TASK CHAIR

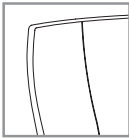


SF



Mesh backrest

SL



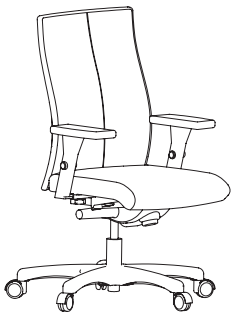
Slim backrest

DIMENSIONS (inches)

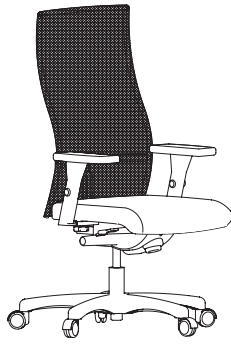
	A Backrest width	B Seat width	C Backrest height from seat	D Seat height from floor	E Functional seat depth	F Overall depth	Fabric (yds)	Leather (ft ²)	Weight (lbs)	Cubic (ft ³)
SL50	18	18 1/2	19 1/2 - 22	17 - 20 1/2	17 1/2	26	1.40	26	49	16.77
SF90	18	18 1/2	23 1/2 - 26	17 - 20 1/2	17 1/2	26 1.45	28	52	21.83	13.51

** For the mesh back model, less fabric is needed.

SF*	0.70	14
-----	------	----



SL50



SF90

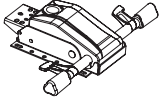
MODEL	CODE	MECHANISM	LIST PRICE / Grade A	Dock Delivery	Inside Delivery	Delivered & Installed
				53%	50%	46%
SLIM						
Mid-back						
SL50						
M arms	SL50NMPZ-SW	Synchro-tilt	1 196.00	562.12	598.00	645.84
MESH						
Intermediate-back						
SF90						
M arms	SF90NMPZ-SW	Synchro-tilt	1 176.00	552.72	588.00	635.04

LEAD X

TASK CHAIR

OPTIONS

MECHANISMS (SEE P. 4-5)



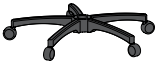
PZ
Synchro-tilt with
seat slider

ERGONOMIC ARM (SEE P. 6-7)



M
5 functions

OTHERS



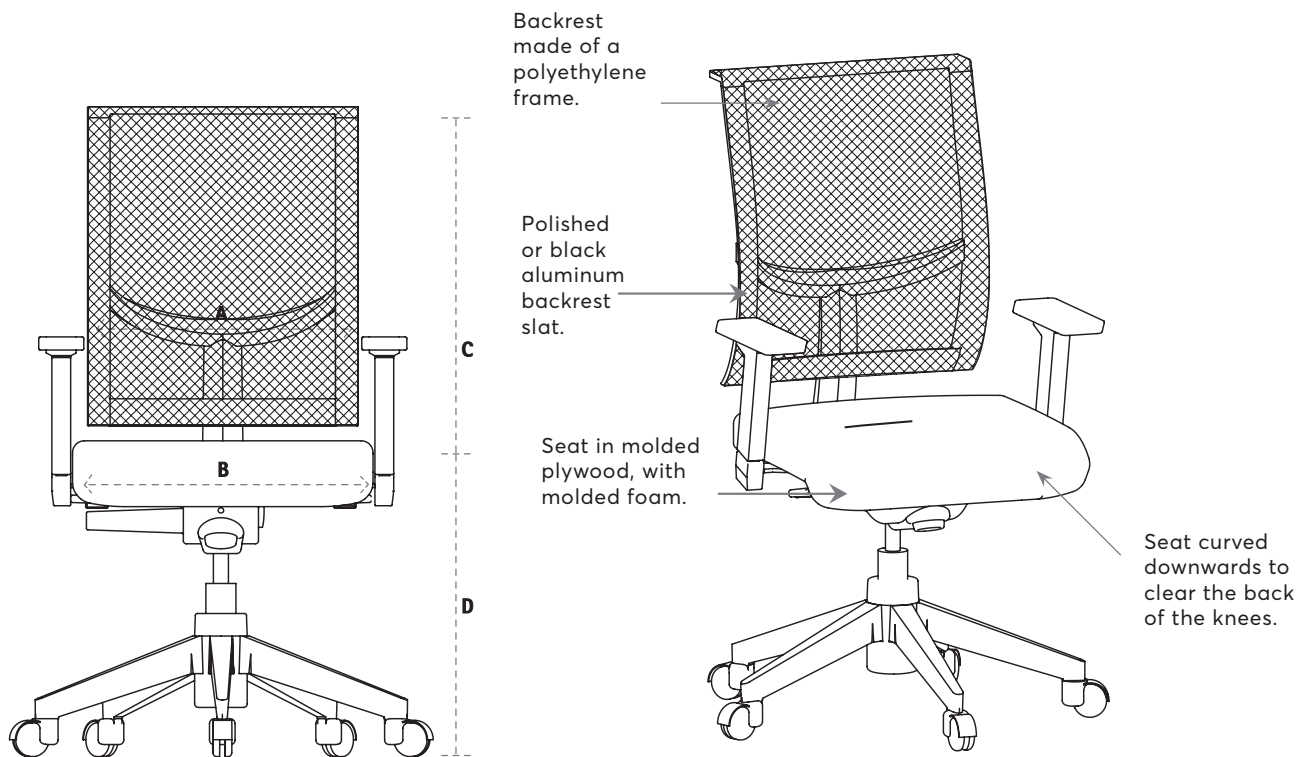
N
Black base



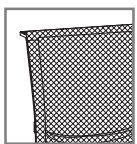
SW
Hard floor caster

CODIFICATION

SF50	N	D	PZ	SW	Grade A
Model	Base color	Armrest	Mechanism	Option	Fabric



EF



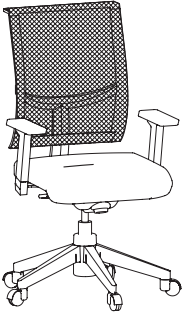
Mesh backrest and upholstered seat

DIMENSIONS (inches)

	A Backrest width	B Seat width	C Backrest height from seat	D Seat height from floor	E Functional seat depth	F Overall depth	Fabric (yds)	Leather (ft ²)	Weight (lbs)	Cubic (ft ³)
EFN40	18	19	24 1/2	17 1/2-20	18	24	0.7	14	52	16.77

FX

TASK CHAIR

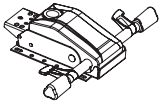


EF40

MODEL	CODE	MECHANISM	LIST PRICE / Grade A	Dock Delivery	Inside Delivery	Delivered & Installed
				53%	50%	46%
Black base						
EFN40						
M arms	EFN40NMPZ-SW	Synchro-tilt	1 237.00	581.39	618.50	667.98

OPTIONS

MECHANISMS (SEE P. 4-5)



PZ

Synchro-tilt with seat slider

ERGONOMIC ARM (SEE P. 6-7)



M

5 functions

OTHERS



N

Black base



SW

Hard floor caster

CODIFICATION

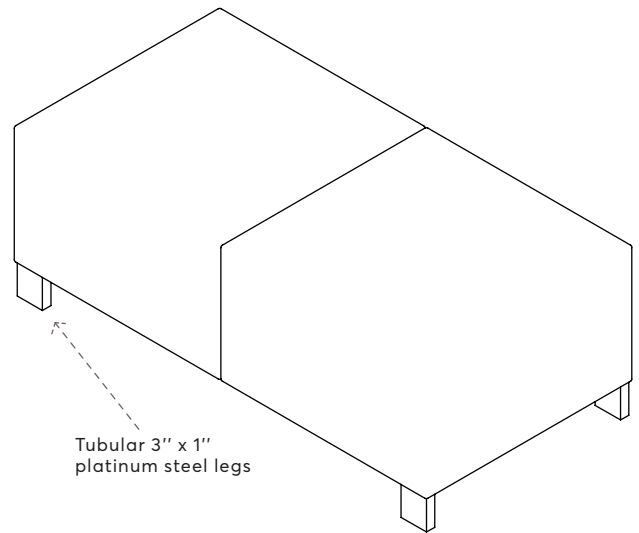
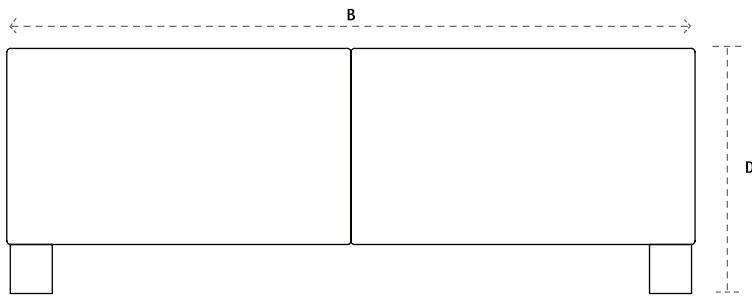
EFN40	N	M	PZ	SW	Grade A
Model	Base color	Armrest	Mechanism	Option	Fabric

C-23 SEATING:

BENCHES

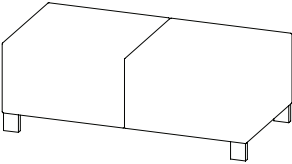
BLOK

BENCHES



DIMENSIONS (inches)

	A Backrest width	B Seat width	C Backrest height from seat	D Seat height from floor	E Functional seat depth	F Overall depth	Fabric (yds)	Leather (ft ²)	Cubic (ft ³)
BL12	-	49 1/8	-	17 1/2	24 9/16	24 9/16	2.45	44	16.13



BL12

MODEL	CODE	LIST PRICE / Grade A	Dock Delivery	Inside Delivery	Delivered & Installed
BL12			53%	50%	46%
No arms	BL12N	2 060.00	968.20	1 030.00	1 112.40

OPTIONS

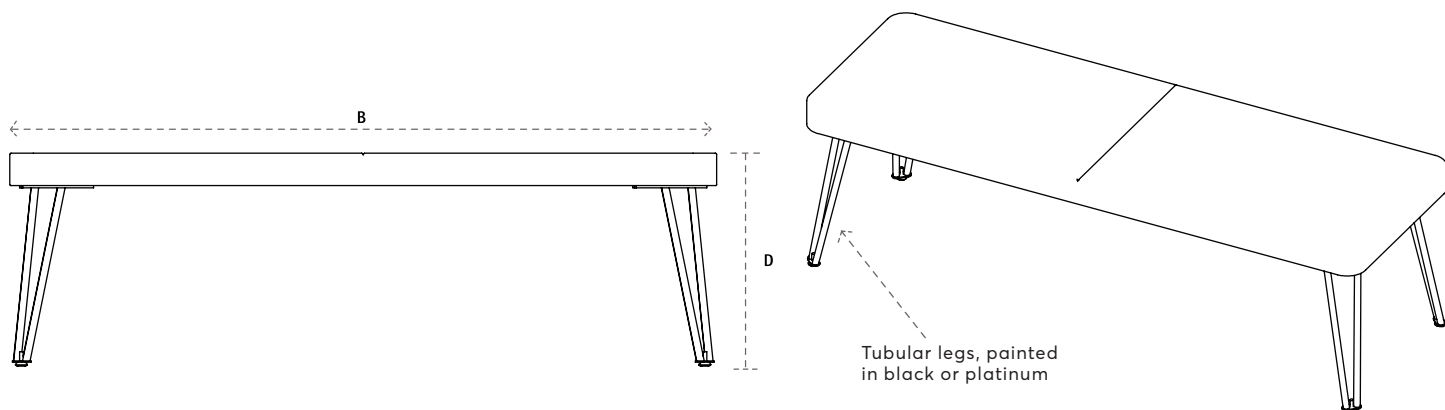
OTHERS



N
Black legs

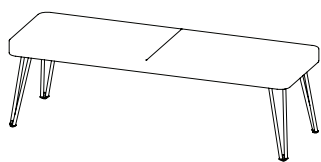
CODIFICATION

BL12	N	Grade A
Model	Base	Fabric



DIMENSIONS (inches)

	A Backrest width	B Seat width	C Backrest height from seat	D Seat height from floor	E Functional seat depth	F Overall depth	Fabric (yds)	Leather (ft ²)	Cubic (ft ³)
FA12	-	60	-	17 1/2	20	20	2.35	42	4.30



FA12

MODEL	CODE	LIST PRICE / Grade A	Dock Delivery	Inside Delivery	Delivered & Installed
FA12			53%	50%	46%
No arms	FA12N	1 409.00	662.23	704.50	760.86

OPTIONS

OTHERS



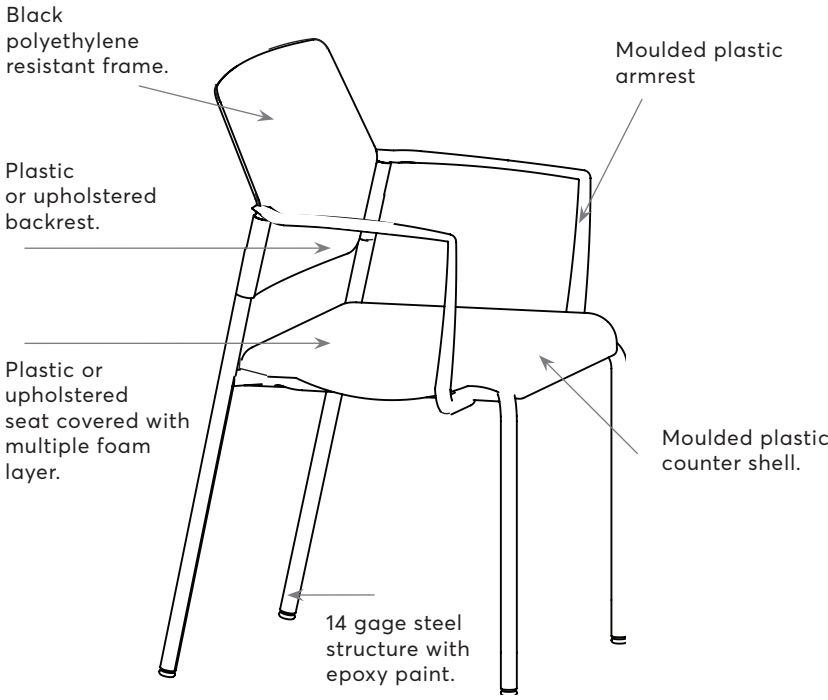
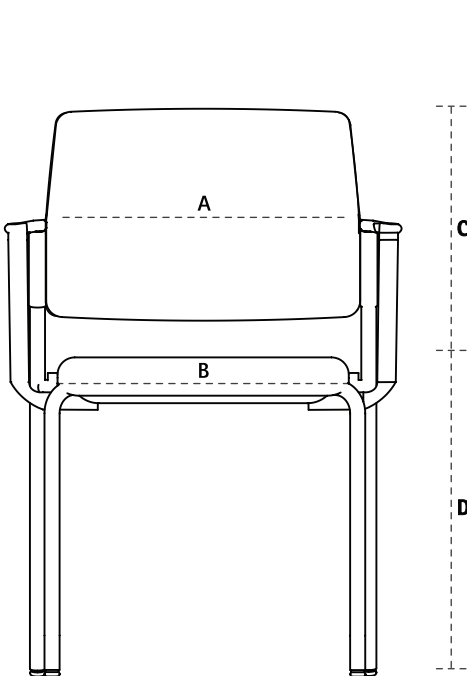
N
Black legs

CODIFICATION

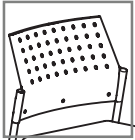
FA12	N	Grade A
Model	Base	Fabric

C-23 SEATING:

STOOLS



DP



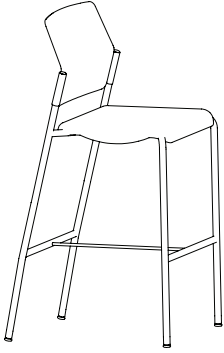
Plastic backrest and seat

DIMENSIONS (inches)

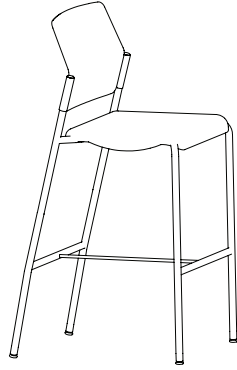
	A Backrest width	B Seat width	C Backrest height from seat	D Seat height from floor	E Functional seat depth	F Overall depth	Fabric (yds)	Leather (ft ²)	Weight (lbs)	Cubic (ft ³)
DP24	17	17 1/2	15 1/2	26	16	23 1/2	0.70	14	30	21.83
DP25	17	17 1/2	15 1/2	30	16	23 1/2	0.70	14	28	21.83
DP82	17	17 1/2	15 1/2	23 1/2 - 33 1/2	16	24	0.70	14	38	14.81

DEXTRA

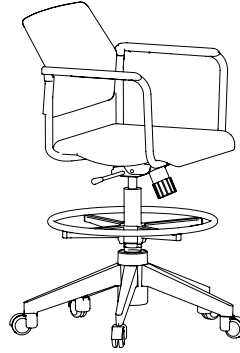
STOOLS



DP35



DP35

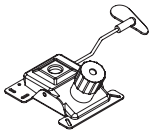


DP82

MODEL	CODE	MECHANISM	LIST PRICE / Grade A	Dock Delivery	Inside Delivery	Delivered & Installed
				53%	50%	46%
Plastic backrest and seat (DP)						
DP24						
No arms	DP24N	-	575.00	270.25	287.50	310.50
DP25						
No arms	DP25N	-	575.00	270.25	287.50	310.50
DP82						
No arms	DP82NP5-SW	Swivel-tilt	873.00	410.31	436.50	471.42

OPTIONS

MECHANISMS (SEE P. 6-7)



OTHERS



N
Black base



SW
Hard floor caster

CODIFICATION

DP82	N	P5	SW	Grade A
Model	Base	Mechanism	Option	Fabric

TERMS AND CONDITIONS OF SALE

PRICES

All prices are subject to change without notice. Invoiced prices are based on current list prices at the time of order entry. List prices do not include taxes, storage, insurance charges or installation.

TERMS

Conditions of payment are 1%, 10 days and net 30 days. Delinquent accounts are subject to a 1.5 % per month charge or the largest amount permitted by law, whichever is less. Rouillard reserves the right to delay or cancel any shipment for delinquent accounts as well as refuse any order from a dealer whose account is delinquent. Where credit terms have not been established, payment in full must be received at time of order placement.

ORDER CONFIRMATION

All orders are confirmed by Rouillard with an acknowledgment prior to production. Rouillard manufactures, delivers and invoices based on the information on the Order Confirmation. The Order Confirmation, together with these Terms and Conditions, is intended as a complete, exclusive and final statement of the terms and conditions of agreement between Rouillard and the purchaser.

ORDER PLACEMENT

Rouillard requires all orders to be in writing to avoid any error or duplications. Telephone or verbal orders are not accepted.

CHANGE AND/OR CANCELLATION of orders may not be changed or cancelled by the purchaser without the written consent of Rouillard. A cancellation or restocking charge, up to the total value of the order is applicable on orders being cancelled or changed.

SHIPMENT DEFERRAL AND STORAGE

If you or your customer is unwilling or unable to accept delivery when the order is ready for shipment, Rouillard will transfer the product to storage. If the customer does not designate a storage site, Rouillard will transfer the goods to an appropriate location. Upon transferring to storage, goods are deemed to be delivered and we reserve the right to invoice as of that date and to store merchandise at the client's. The dealer will be billed for storage of the product.

DAMAGE RESPONSIBILITY

Rouillard inspects all goods and packaging at the factory, before shipping. The responsibility or Rouillard regarding damage stops when goods are loaded in the carrier vehicle and title is passed to the purchaser at that time.

SHIPMENT DAMAGE CLAIMS

All Rouillard's products are carefully inspected prior to shipping and are packaged according to ISO 9001: 2000 standards. Rouillard is not responsible for damage to goods which may occur in transit or storage.

Any damage or shortage must be noted on the bill of lading and it is the purchaser's responsibility to inform Rouillard. The receiver does not have the right to refuse receipt of the goods as title has already been changed. All packaging must be retained and available for inspection and the goods must be left at the original delivery point. Carrier liability ceases after 5 working days and neither Rouillard nor the carrier will be responsible for concealed damage if shipments are left unopened.

MISCELLANEOUS CLAIMS

Claims against Rouillard, other than valid warranty claims, must be made in writing, within 5 days after delivery. Failure to make a written claim against Rouillard within 5 working days will constitute acceptance of the goods and a waiver of any shortage, errors or other claims.

TERMS AND CONDITIONS OF SALE

WARRANTY

Rouillard warrants all products for 10 years with exception of fabric and leather (that are 1 year), 5 years for gas cylinder, plastic components, tables, armrest, 24/Plus Collection chairs. Rouillard will repair any defect which occurred in production; replace any faulty parts or components with comparable product and correct any flaw resulting from normal use of the product, free of charge. This warranty does not apply to damage made in shipment or storage or resulting from accident, misuse, alteration, tampering, negligence abuse or use in severe weather conditions. The modification alteration or substitution of component, assemblies or any product other than those supplied by Rouillard, without prior written authorization from Rouillard, shall void this warranty.

This warranty is the customer's sole remedy for products defect and Rouillard will not consider any other agreement that could be used as a warranty or as an interpretation of Rouillard's warranty. This warranty does not apply to incidental, economic or exemplary damage arising from any product defect.

To obtain benefit of this warranty, a written claim must be made to Rouillard, including description of the merchandise, claimed defect, and proof of delivery.

RETURNS

No return of goods will be accepted without written consent must have a RGA # and shipping instructions from Rouillard. Approved returns, for reasons other than valid warranty claims, will be subject to shipping, handling and substantial restocking and restoration charges.

OPTIONS AND SPECIFICATIONS

Specifications and options are subject to change without prior notice.

GOVERNING LAW

All orders and purchases of Rouillard's products shall be governed in all respect by the laws of the Province of Quebec.

OFFICE AND FACTORY

Les Industries Rouillard Inc.
363, boul. des Chutes
Québec (Québec) Canada
G1E 3G1

Telephone : **1 418 663-1411**
1 855 459-1954
Fax : 1 418 666-9619
Web Site : www.rouillard.ca
E-Mail : info@rouillard.ca

ORDER

order.entry@rouillard.ca

SOCIAL MEDIA

