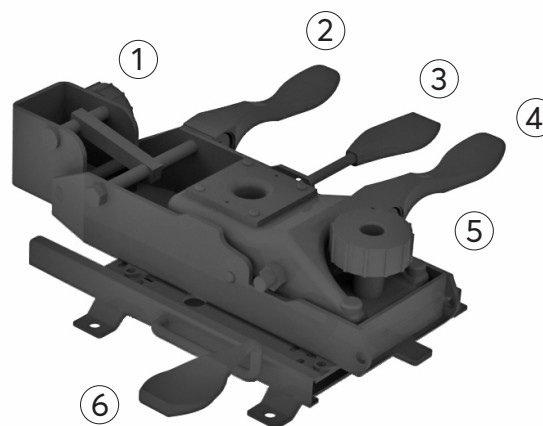


- ① Backrest height
- ② Backrest angle
- ③ Pneumatic height (cylinder)
- ④ Infinite seat tilt lock
- ⑤ Tension adjustment
- ⑥ Seat slider



AVAILABLE ON:

- Spyder
- Urbex

Pour ajuster le fauteuil convenablement à votre silhouette, il faut suivre les étapes suivantes:

Backrest high adjustment - Unscrew the roulette #1 to adjust the height of the backrest to position the lumbar back support at the right spot.

Mechanism tension - Turn the roulette #5 to adjust the mechanism tension of the chair.

Angle of the seat - Lift up the handle #4 to unlock the seat and adjust the angle. Position the seat in a slightly backward angle to make sure that your back and your buttocks are well positioned on the chair.

Angle of the backrest - Push on the button #2 to adjust the angle of the backrest. Optez pour un angle de dossier qui permet à votre dos d'être appuyé et bien soutenu par celui-ci.

Seat high adjustment - Adjust the chair height by lifting handle #3. Choose a height that will allow your feet to lean on the floor and your knees to clear the seat to avoid constant pressure on your knees.

Seat depth adjustment - Keep the handle #6 lifted up and slide the seat to adjust the depth.