

Stool / Fixed back

### ① Pneumatic height (cylinder)

AVAILABLE ON:

- Classic
- Lead
- Spyder



Stool / Fixed back

### ① Backrest angle

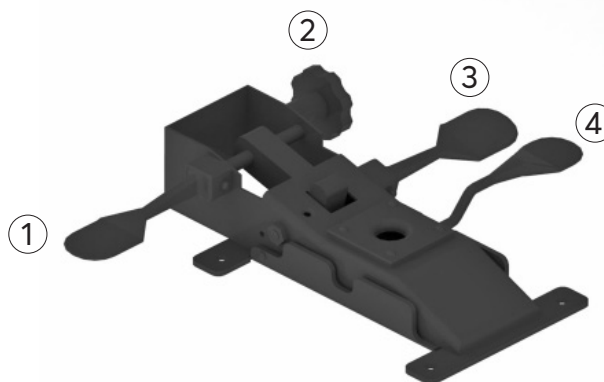
### ② Backrest height

### ③ Seat angle

### ④ Pneumatic height (cylinder)

AVAILABLE ON:

- Lead
- Spyder
- Urbex



## MECHANISM P5

Conference / Fixed back

- ① Pneumatic height (cylinder)
- ② Tension adjustment
- ③ Vertical seat tilt lock

AVAILABLE ON:

- |          |          |
|----------|----------|
| • Dextra | • Mini   |
| • FX     | • Ply    |
| • Ely    | • Rivo   |
| • Ema    | • Shift  |
| • Lead   | • Spyder |
| • Lead V | • Tara   |
| • Link   | • Urbex  |
| • Mia    | • X2     |
|          | • Zoa    |



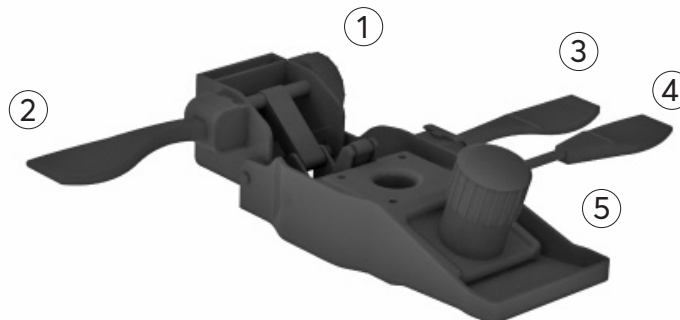
## MECHANISM P8

Multifunction

- ① Backrest height
- ② Backrest angle
- ③ Infinite seat tilt lock
- ④ Pneumatic height (cylinder)
- ⑤ Tension adjustment

AVAILABLE ON:

- Spyder
- Urbex



# ROUILLARD

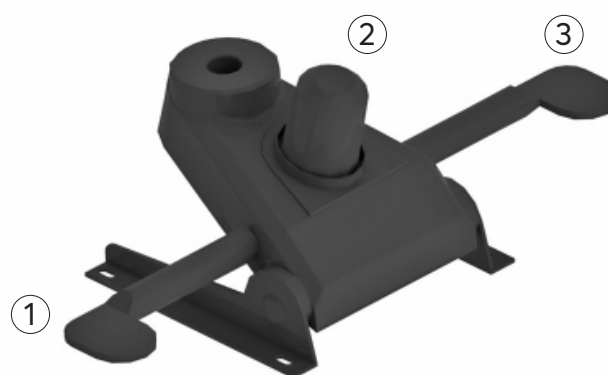
## MECHANISM PD

Knee-Tilt / Fixed back

- ① Infinite backrest and seat 5 positions tilt lock
- ② Tension adjustment
- ③ Pneumatic height (cylinder)

AVAILABLE ON:

- Classic
- FX
- Lead
- Lead X
- Rivo
- X2



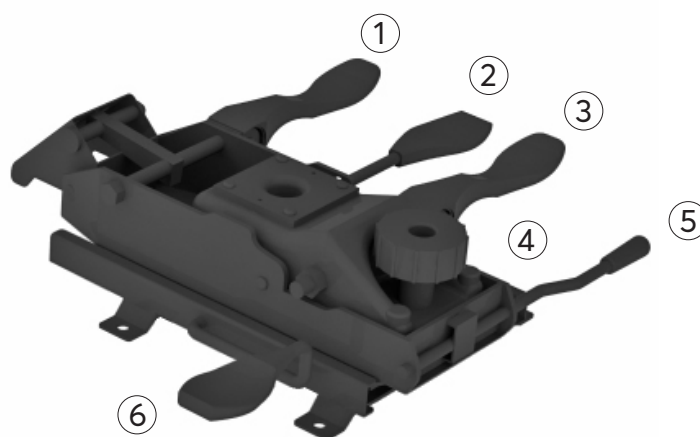
## MECHANISM PE

Multifunction Intensive Use (24h et 250 lbs to 350 lbs)  
Heavy duty mechanism blades  
Ratchet back

- ① Backrest angle
- ② Pneumatic height (cylinder)
- ③ Infinite seat tilt-lock
- ④ Tension adjustment
- ⑤ Negative forward angle
- ⑥ Seat slider

AVAILABLE ON:

- Generation 24
- Urbex 24



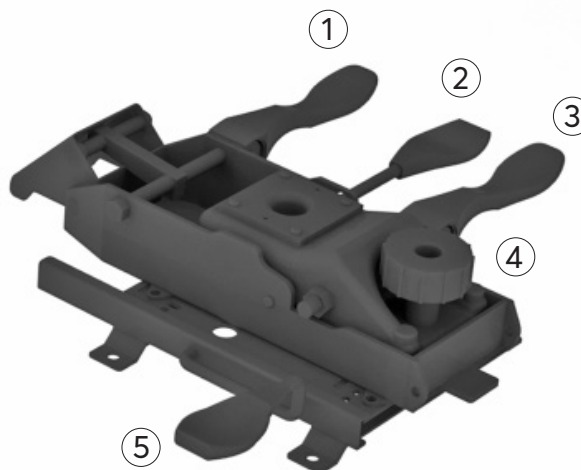
## MECHANISM PFG

Multifunction / Ratchet back

- ① Backrest angle
- ② Pneumatic height (cylinder)
- ③ Infinite seat tilt lock
- ④ Tension adjustment
- ⑤ Seat slider

AVAILABLE ON:

- Lead
- Lead X



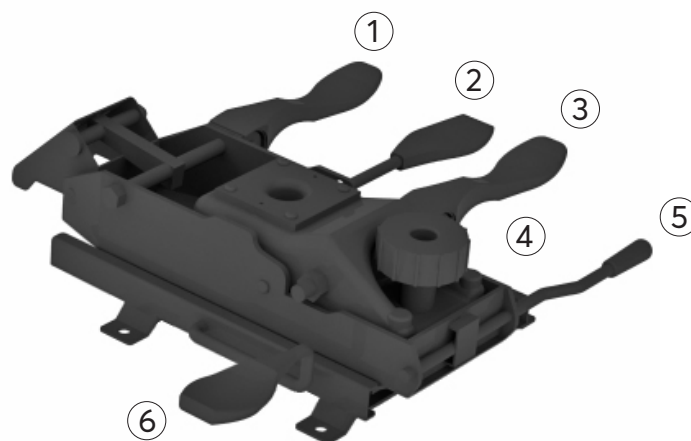
## MECHANISM PGG

Multifunction / Ratchet back

- ① Backrest angle
- ② Pneumatic height (cylinder)
- ③ Infinite seat tilt lock
- ④ Tension adjustment
- ⑤ Negative forward angle
- ⑥ Seat slider

AVAILABLE ON:

- Generation 24
- Urbex 24



# ROUILLARD

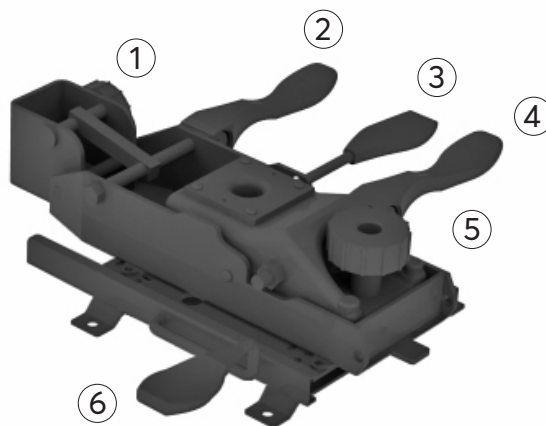
## MECHANISM PRG

Multifunction

- ① Backrest height
- ② Backrest angle
- ③ Pneumatic height (cylinder)
- ④ Infinite seat tilt lock
- ⑤ Tension adjustment
- ⑥ Seat slider

AVAILABLE ON:

- Spyder
- Urbex



## MECHANISM PZ

Synchro-Tilt / Ratchet back

- ① Seat slider
- ② Tension adjustment
- ③ Pneumatic height (cylinder)
- ④ Infinite backrest and seat tilt-lock in 4 positions

AVAILABLE ON:

- FX
- Lead
- Rivo
- Spyder
- X2

