

Stool / Fixed back

① Pneumatic height (cylinder)

AVAILABLE ON:

- Classic
- Lead
- Spyder



Stool / Fixed back

① Backrest angle

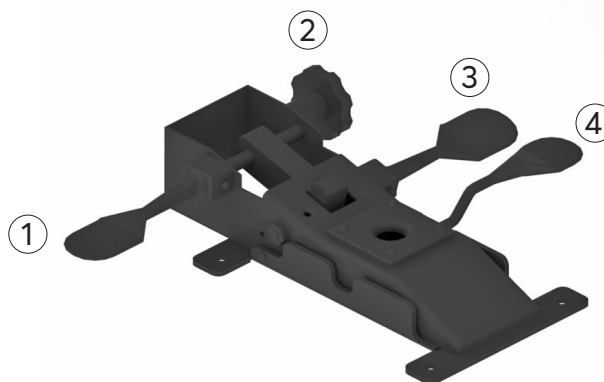
② Backrest height

③ Seat angle

④ Pneumatic height (cylinder)

AVAILABLE ON:

- Lead
- Spyder
- Urbex



MECHANISM P5

Conference / Fixed back

- ① Pneumatic height (cylinder)
- ② Tension adjustment
- ③ Vertical seat tilt lock

AVAILABLE ON:

- | | |
|----------|----------|
| • Dextra | • Mini |
| • FX | • Ply |
| • Ely | • Rivo |
| • Ema | • Shift |
| • Lead | • Spyder |
| • Lead V | • Tara |
| • Link | • Urbex |
| • Mia | • X2 |
| | • Zoa |



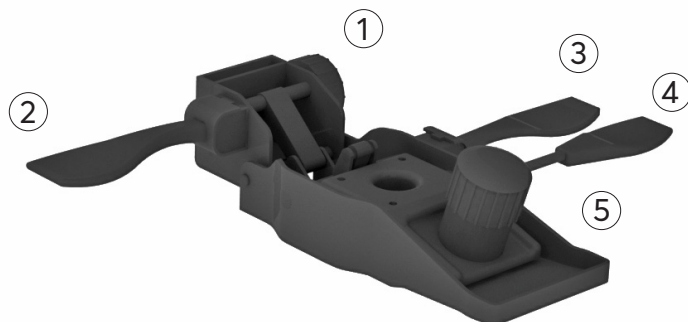
MECHANISM P8

Multifunction

- ① Backrest height
- ② Backrest angle
- ③ Infinite seat tilt lock
- ④ Pneumatic height (cylinder)
- ⑤ Tension adjustment

AVAILABLE ON:

- Spyder
- Urbex



ROUILLARD

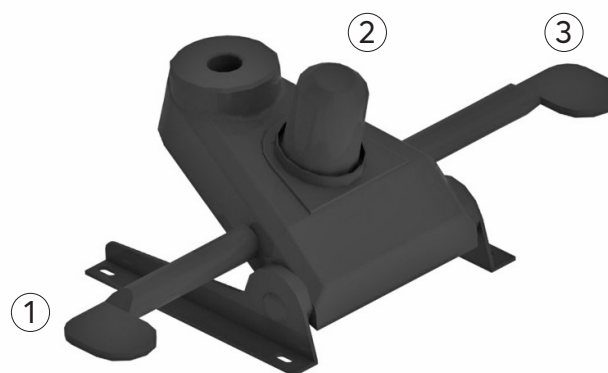
MECHANISM PD

Knee-Tilt / Fixed back

- ① Infinite backrest and seat 5 positions tilt lock
- ② Tension adjustment
- ③ Pneumatic height (cylinder)

AVAILABLE ON:

- Classic
- FX
- Lead
- Lead X
- Rivo
- X2



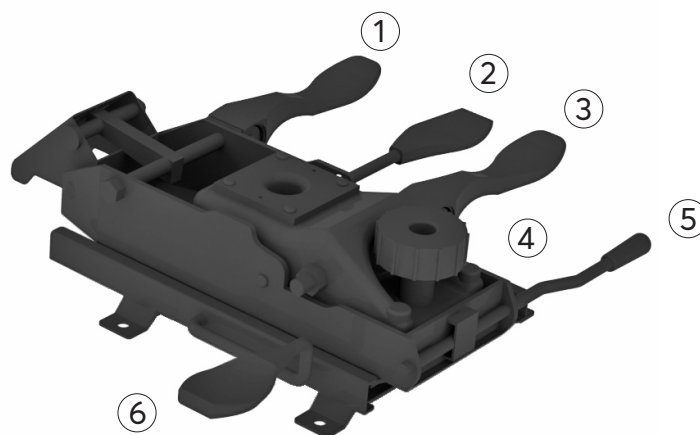
MECHANISM PE

Multifunction Intensive Use (24h et 250 lbs to 350 lbs)
Heavy duty mechanism blades
Ratchet back

- ① Backrest angle
- ② Pneumatic height (cylinder)
- ③ Infinite seat tilt-lock
- ④ Tension adjustment
- ⑤ Negative forward angle
- ⑥ Seat slider

AVAILABLE ON:

- Generation 24
- Urbex 24



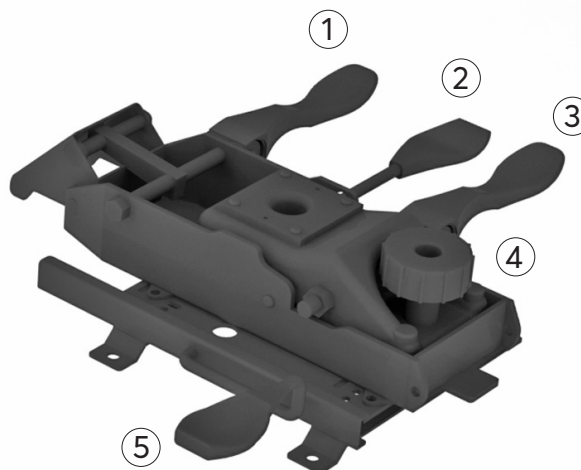
MECHANISM PFG

Multifunction / Ratchet back

- ① Backrest angle
- ② Pneumatic height (cylinder)
- ③ Infinite seat tilt lock
- ④ Tension adjustment
- ⑤ Seat slider

AVAILABLE ON:

- Lead
- Lead X



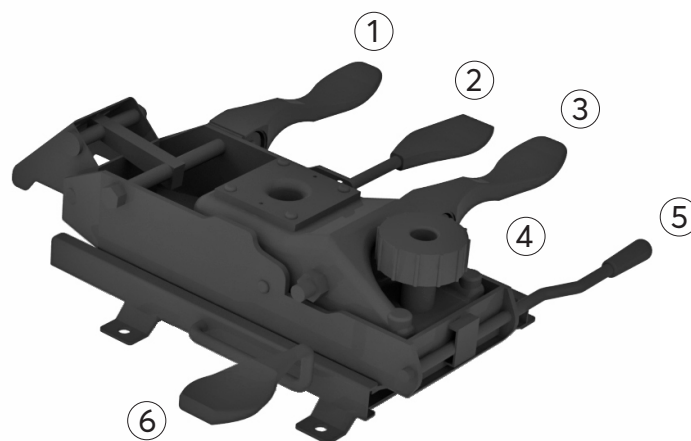
MECHANISM PGG

Multifunction / Ratchet back

- ① Backrest angle
- ② Pneumatic height (cylinder)
- ③ Infinite seat tilt lock
- ④ Tension adjustment
- ⑤ Negative forward angle
- ⑥ Seat slider

AVAILABLE ON:

- Generation 24
- Urbex 24



ROUILLARD

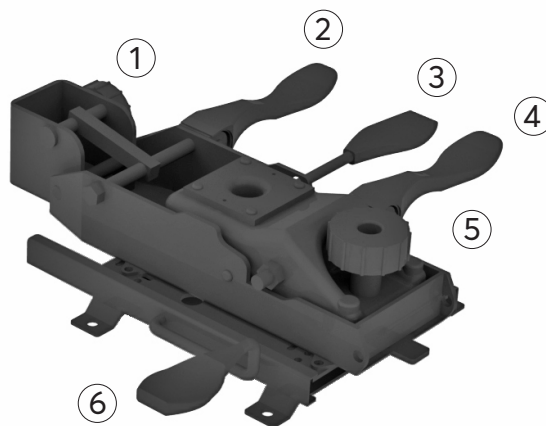
MECHANISM PRG

Multifunction

- ① Backrest height
- ② Backrest angle
- ③ Pneumatic height (cylinder)
- ④ Infinite seat tilt lock
- ⑤ Tension adjustment
- ⑥ Seat slider

AVAILABLE ON:

- Spyder
- Urbex



MECHANISM PZ

Synchro-Tilt / Ratchet back

- ① Seat slider
- ② Tension adjustment
- ③ Pneumatic height (cylinder)
- ④ Infinite backrest and seat tilt-lock in 4 positions

AVAILABLE ON:

- FX
- Lead
- Rivo
- Spyder
- X2

